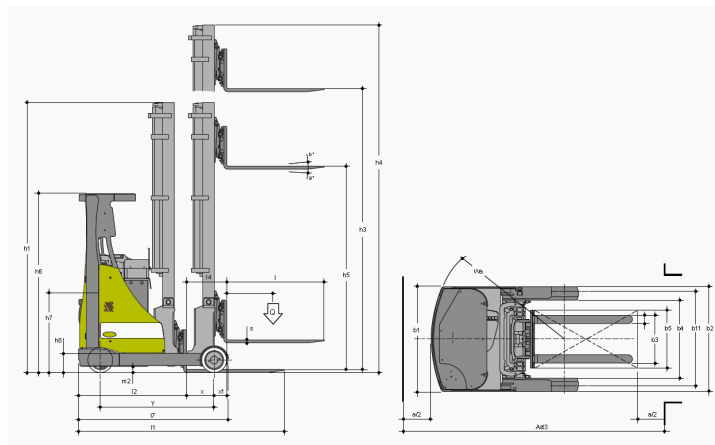


Characteristics			Clark		
			CRT13K / 16K		
1.1	Manufacturer		T		
1.2	Manufacturer's model designation		E		
	T = integrated side-shift		S / R		
1.3	Drive : E (electric)				
1.4	Type of control : S (steering wheel) R (seated)				
1.5	Load capacity	Q (t)	1.3	1.6	
1.6	Load centre distance	c (mm)	600		
1.8	Load distance, centre of drive axle to fork Mast advanced	X (mm) X1 (mm)	339 238		
1.9	Wheelbase	Y (mm)	1.470		
Weights	2.1	Service weight (battery included)	Kg 3.350 3.500		
	2.3	Axle loading mast retracted (without load)	Kg front / rear		
	2.4	Axle loading mast advanced (with load)	Kg front / rear		
	2.5	Axle loading mast retracted (with load)	Kg front / rear		
Wheels - Chassis	3.1	Tyres : vlk (vulkollan) se (superelastic)	vlk		
	3.2	Front wheels size	mm 343		
	3.3	Rear wheels size	mm 300		
	3.5	Wheels : number front / rear (x = traction)	1x / 2		
	3.7	Rear track width	b 11 (mm)	1.045	
Dimensions	4.1	Mast / fork carriage tilted forward / backward	α / β 3 / 5		
	4.2	Lowered mast height	h1 (mm) 2.655		
	4.3	Free lift	h5 (mm) 2.130		
	4.4	Lifting height	h3 (mm) 5.965		
	4.5	Extended mast height	h4 (mm) 6.620		
	4.7	Overhead guard (cab) height	h6 (mm) 2.106		
	4.8	Seat height	h7 (mm) 1.150		
	4.10	Height of wheels arm	h8 (mm) 227		
	4.19	Total length	l1 (mm) 2.543		
	4.20	Length to forks face	l2 (mm) 1.393		
	4.21	Overall width	b1 / b2 (mm) 1.150 / 1.155		
	4.22	Forks dimensions	s / e / l 35 / 130 / 1.150		
	4.23	Fork carriage, class / type A, B	II A		
	4.24	Fork carriage width	b5 (mm) 730		
	4.25	Width over forks	b3 (mm) 700		
	4.26	Distance between support arms / loading surfaces	b4 (mm) 848		
	4.28	Reach distance	l4 (mm) 577		
	4.32	Ground clearance	m2 (mm) 73		
	4.33	Aisle width with pallets 1000 x 1200 forking side 1200	Ast3 (mm) 2.818		
	4.34	Aisle width with pallets 800 x 1200 forking side 800	Ast3 (mm) 2.875		
4.35	Turning radius	Wa (mm) 1.726			
4.37	Length across wheel arms	l7 (mm) 1.970			
Performances	5.1	Travel speed	Km / h laden / unladen 13 / 13		
	5.2	Lifting speed	m / s laden / unladen 0.35 / 0.50		
	5.3	Lowering speed	m / s laden / unladen 0.50 / 0.45		
	5.7	Gradient performance	%		
	5.8	Max gradient performance	%		
	5.9	Acceleration time (10 m)	s 6 / 5.6		
	5.10	Service brake M (mechanical) I (hydraulic) IV (inversion braking)	M / I		
	El. motor	6.1	Traction motor, rating S2 60 min	KW 6.5	
		6.2	Lifting motor, rating S3 15%	KW 15	
		6.3	Battery according DIN 43531 / 35 / 36 A, B, C, no	no	
6.4		Battery voltage, nominal capacity K5	V / Ah 48 / 620 48 / 620		
6.5		Battery weight (± 5 %) Battery dimensions l / w / h	Kg 785 950 L/W/H mm 1.040 / 435 / 765		
Others	8.1	Type of travel control	INVERTER		
	8.2	Operating pressure for attachments	bar 180		
	8.3	Oil volume for attachments (max available)	l / min 25		
	8.4	Sound level at driver's ear	dB (A) < 70		

Technical specification according VDI 2198

All values shown are for standard lift truck with standard equipment. If the truck is supplied with options, values may change. All values given may vary +5% and -10% due to the motor and system tolerances and represent nominal values obtained under typical operating conditions.

multi function mono joystick	o	LED display lift height indicator	o
flashing beacon	o	manual level pre-selector for 10 levels	o
reverse buzzer	o	video camera with back/white monitor on cab	o
tilting forks	s	complete cabin	o
LCD display	s	cold store execution	o
BDI/hour meter with lifting cut-off at 80% discharge	s	heating system for cold store execution	o
steering wheel position indicator	s	single battery stand	o
traction speed visualization	s	double battery stand (with wheels)	o
steering mode 180° and 360°	s	side rollers	o
turtle push button	s	working lights	o
side-shift	s	drive-in roof	o
s=standard		o=option	



h3		h1	h4	h5	CRT13K	CRT16K
					(Q) t	(Q) t
4.165 tx ffl	mm	2.045	4.820	1.470	1.3	1.6
4.465 tx ffl	mm	2.145	5.120	1.575	1.3	1.6
5.165 tx ffl	mm	2.390	5.820	1.810	1.3	1.6
5.965 tx ffl	mm	2.655	6.620	2.130	1.3	1.5
6.665 tx ffl	mm	2.925	7.320	2.360	1.2	1.4
7.465 tx ffl	mm	3.185	8.120	2.630	1.1	1.25
8.215 tx ffl	mm	3.480	8.870	2.930	/	1.0

www.clarkmheu.com

ООО «Форклифт», тел. (343) 344-00-22

E-mail: sales@forklift.ru, Web: www.forklift.ru

CLARK
THE FORKLIFT