

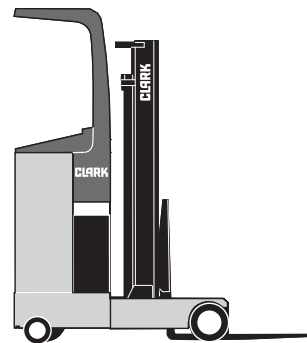
부품 매뉴얼 PARTS MANUAL

CRX 10/13

SERIAL NUMBER : CRX103 - XXXX -9657 KF

부품 청구시 항상 장비의 SERIAL NO. 도
함께 알려 주십시오.

ALWAYS GIVE TRUCK SERIAL NUMBER
WHEN ORDERING PARTS.



Part No. 8049647
Dec. 2013

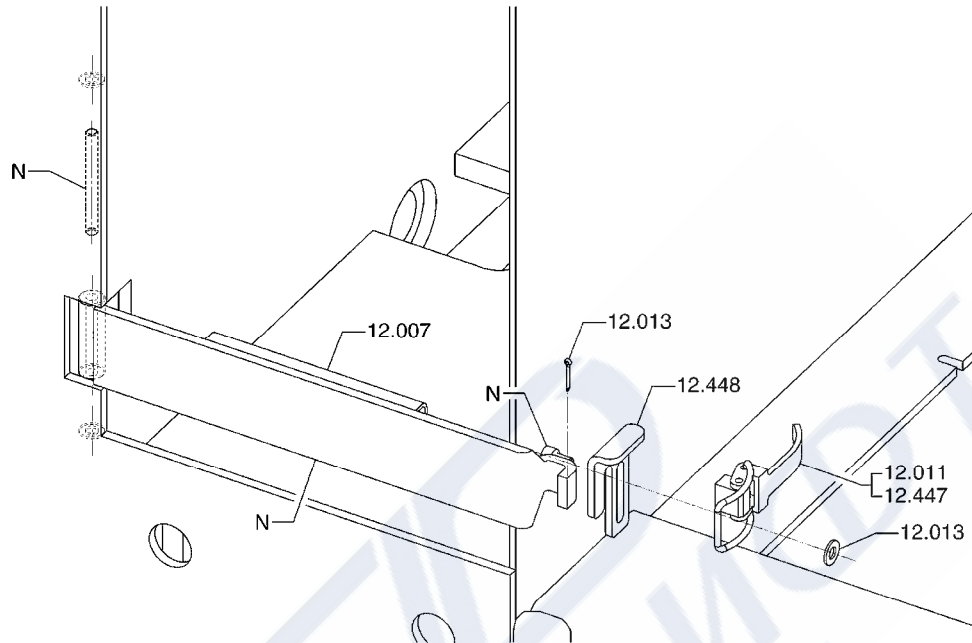


(본사) 경기도 부천시 오정구 오정동 202-1
(Head office) 202-1 Ojung-Dong, Ojung-Gu, Bucheon-city, Kyunggi-do, Korea
(공장) 경남 창원시 웅남동 40-1
(Factory) 40-1 Ungnam-dong, Changwon-city, Kyungnam, Korea



12-007	BATTERY CLAMP MOUNTING 배터리 클램프 마운팅	31-179	HYDRAULIC SUPPLY & RETURN LINES 유압 공급& 리턴 라인
13-115	HEAD LAMP INSTALLATION 헤드램프 조립그룹	31-351	HYDRAULIC LIFT & TILT & REACH LINES 유압 리프트& 틸트& 리치 라인
13-147	TURN SIGNAL LAMP INSTALLATION 턴 시그널 램프 조립그룹	32-114	TILT CYLINDER 틸트 실린더
13-182	STROBE LIGHT 경광등	32-148	TILT CYLINDER MOUNTING 틸트 실린더 마운팅
13-228	BACK-UP ALARM INSTALLATION 백-업 알람 조립그룹	32-149	REACH CYLINDER 리치 실린더
13-292	KEY SWITCH INSTALLATION 키스위치 조립그룹	32-172	REACH CYLINDER MOUNTING 리치 실린더 마운팅
13-318	STROBE LIGHT MOUNTING 경광등 마운팅	34-015	CARRIAGE ASSEMBLY 캐리지 어셈블리
13-319	REAR WORK LIGHT INSTALLATION 후방등 조립그룹	39-788	OVERHEAD GUARD MOUNTING 오버헤드가드 마운팅
13-321	MICRO SWITCH MOUNTING 마이크로 스위치 마운팅	39-789	PADS AND COVERS 패드& 커버
14-771	ELECTRICAL WIRING 전기장치 와이어링	39-790	FLOOR PLATE MOUNTING 플로어 플레이트 마운팅
14-953	ELECTRICAL COMPONENTS 전기장치 구성품	39-791	SHEET METAL 시트 메탈
15-070	CABLE INSTALLATION 케이블 조립그룹	40-246	MODEL LOGO 모델 로고
16-110	TRACTION & PUMP MOTORS MOUNTING 트랙션& 펌프 모터 마운팅	40-259	DECALS 데칼
16-231	DRIVE MOTOR ASSEMBLY 드라이브 모터 어셈블리	40-271	COLD STORAGE DECALS 냉장사양 데칼
16-243	PUMP MOTOR ASSEMBLY 펌프 모터 어셈블리	50-170	ATTACHMENT HOSE ADAPTATION (UPRIGHT) 어태치 호스 적용 (마스트)
17-117	CONTACTOR ASSEMBLY 컨택터 어셈블리	50-244	ATTACHMENT HOSE ADAPTATION (UPRIGHT) 어태치 호스 적용 (마스트)
19-007	CONTROLLER MOUNTING 컨트롤러 마운팅	50-798	QUICK DISCONNECT FOR DEVICE HOSE ADAPTATION 퀵 차단 (호스 어댑션 장치용)
20-089	CONTROL LINKAGE 컨트롤 링케이지	53-058	SIDE SHIFT ASSEMBLY 사이드 쉬프트 어셈블리
20-096	DRIVE UNIT MOUNTING 드라이브 유닛 마운팅	53-198	SIDESHIFT CYLINDER 사이드 쉬프트 실린더
20-162	DRIVE UNIT ASSEMBLY 드라이브 유닛 어셈블리	66-058	FORK 포크
20-164	DRIVE UNIT ASSEMBLY 드라이브 유닛 어셈블리	66-148	PRIMARY CYLINDER ASSEMBLY 프라이머리 실린더 어셈블리
20-168	DRIVE UNIT ASSEMBLY 드라이브 유닛 어셈블리	66-166	LIFT CYLINDER 리프트 실린더
20-169	DRIVE UNIT ASSEMBLY 드라이브 유닛 어셈블리	66-167	SECONDARY CYLINDER ASSEMBLY 2차 실린더 어셈블리
22-035	DRIVE WHEEL & TIRE (CUSHION TYPE) 드라이브 휠& 타이어 (쿠션 타입)	66-195	TRIPLE STAGE UPRIGHT 3단 마스트
22-046	DRIVE WHEEL & TIRE MOUNTING 드라이브 휠& 타이어 마운팅	66-196	STANDARD UPRIGHT 표준 마스트
22-047	STABILIZER WHEEL MOUNTING 스테빌라이저 휠 마운팅		
22-048	LOAD WHEELS MOUNTING 로드 휠 마운팅		
23-053	BRAKE PEDAL & LINKAGE 브레이크 페달& 링케이지		
23-119	CALIPER ASSEMBLY 캘리퍼 어셈블리		
25-101	LUBE SYSTEM 윤활 시스템		
25-147	STEERING SYSTEM 스티어링 시스템		
29-005	HYDRAULIC PUMP MOUNTING 유압 펌프 마운팅		
29-259	HYDRAULIC TANK & COMPONENTS MOUNTING 유압탱크& 구성품 마운팅		
30-391	HYDRAULIC CONTROL VALVE-3 SPOOL 유압 컨트롤 밸브 - 3 스푼		
30-598	HYDRAULIC VALVE MOUNTING (3SPOOL) 유압밸브 마운팅 (3스풀)		
30-599	HYDRAULIC VALVE MOUNTING (4SPOOL) 유압밸브 마운팅 (4스풀)		

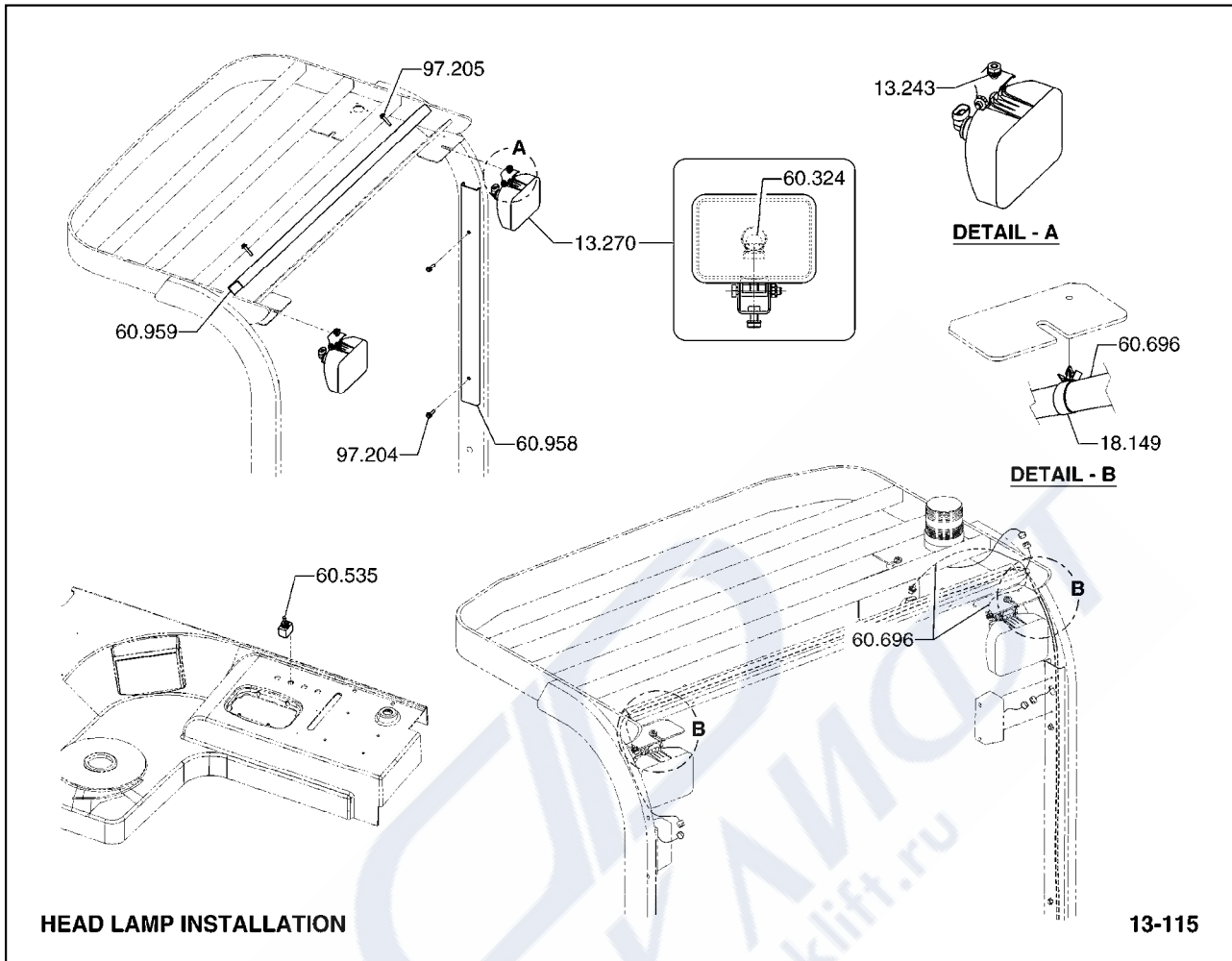
NOTE :
NON SERVICEABLE
ITEMS MARKED "N"



BATTERY CLAMP MOUNTING

12-007

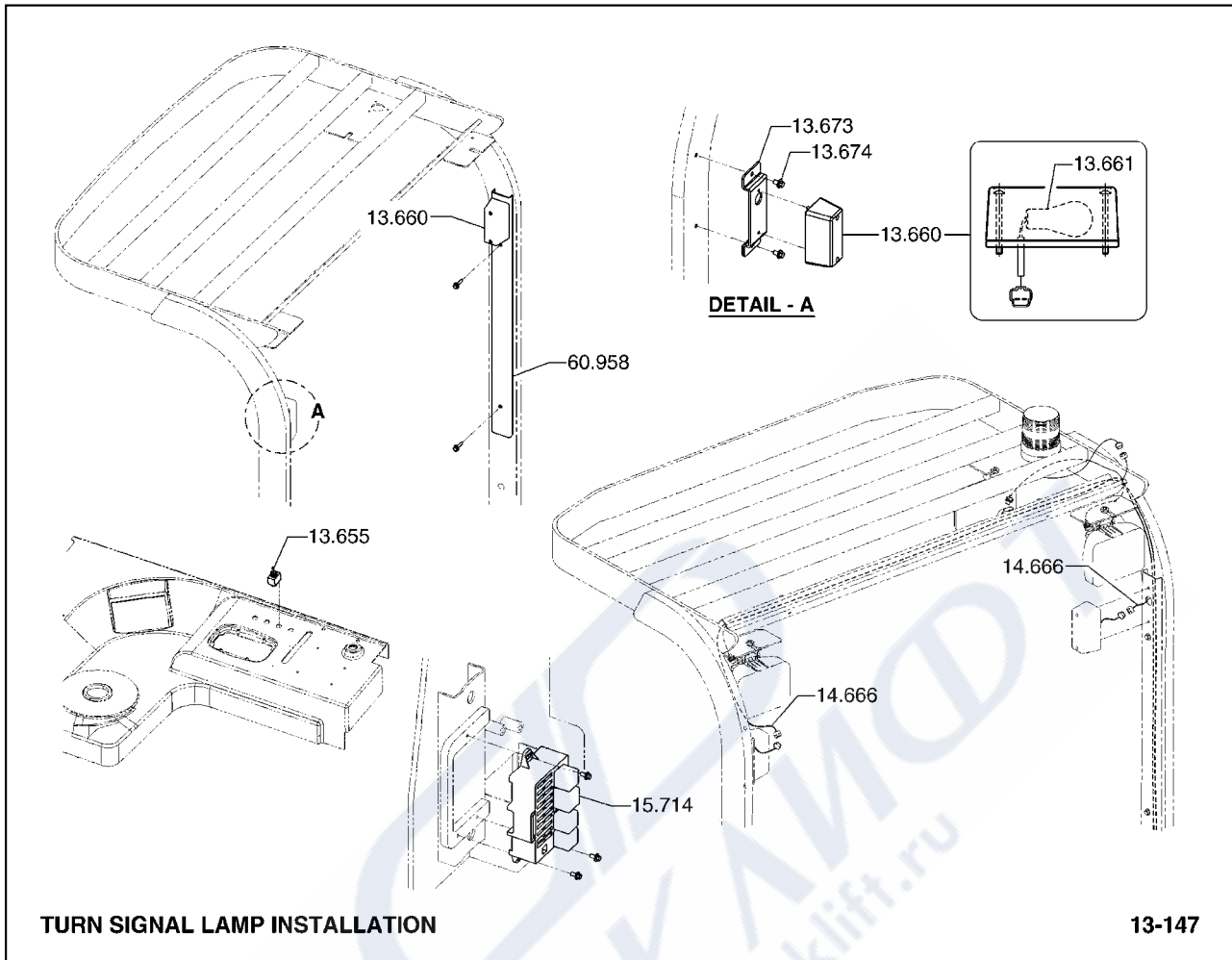
- | | |
|--------|---|
| 12.007 | PAD, BATTERY HOLD DOWN CLAMP
패드 |
| 12.011 | CLAMP, BATTERY HOLD DOWN
클램프 |
| 12.013 | FASTENER, BATTERY HOLD DOWN (AT CLAMP)
패스너 |
| 12.447 | KNOB, BATTERY HOLD DOWN CLAMP
노브 |
| 12.448 | LOCK PLATE, BATTERY HOLD DOWN CLAMP
로크플레이트 |



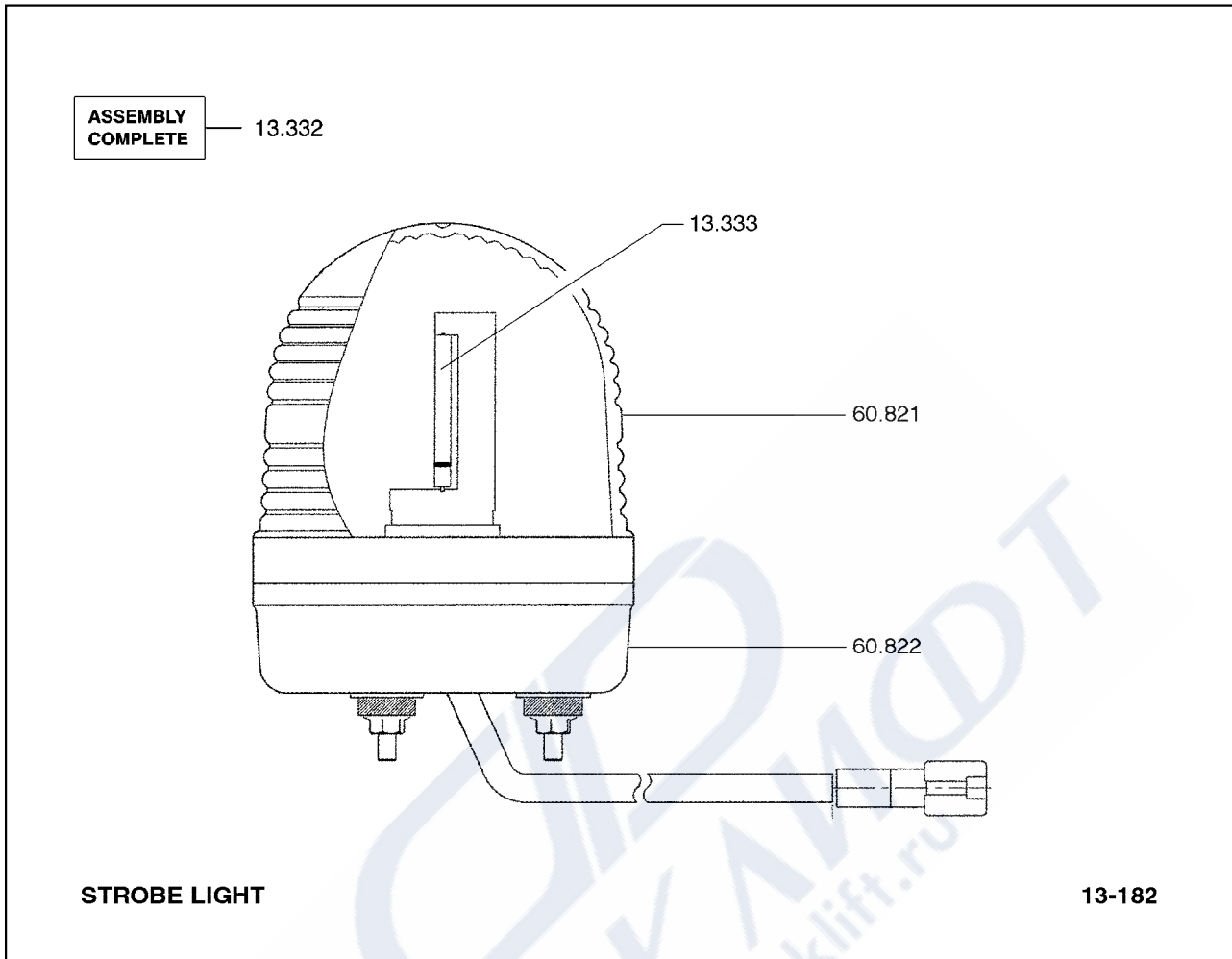
13.243	FASTENER, HEAD LAMP BRACKET 패스너
13.270	HEADLAMP, ADJUSTABLE 헤드램프
18.149	CLIP, HEADLIGHT WIRE HARNESS STRAP 클립
60.324	BULB, HEADLAMP 전구
60.535	SWITCH, WORK LIGHT 스위치
60.696	WIRING HARNESS, MAIN ACCESSORY 와이어하네스
60.958	COVER, ACCESSORY WIRE PROTECTION 커버
60.959	COVER, ACCESSORY WIRE PROTECTION 커버
97.204	FASTENER, ACCESSORY WIRE PROTECTION COVER 패스너

97.205 FASTENER, ACCESSORY WIRE PROTECTION COVER
패스너

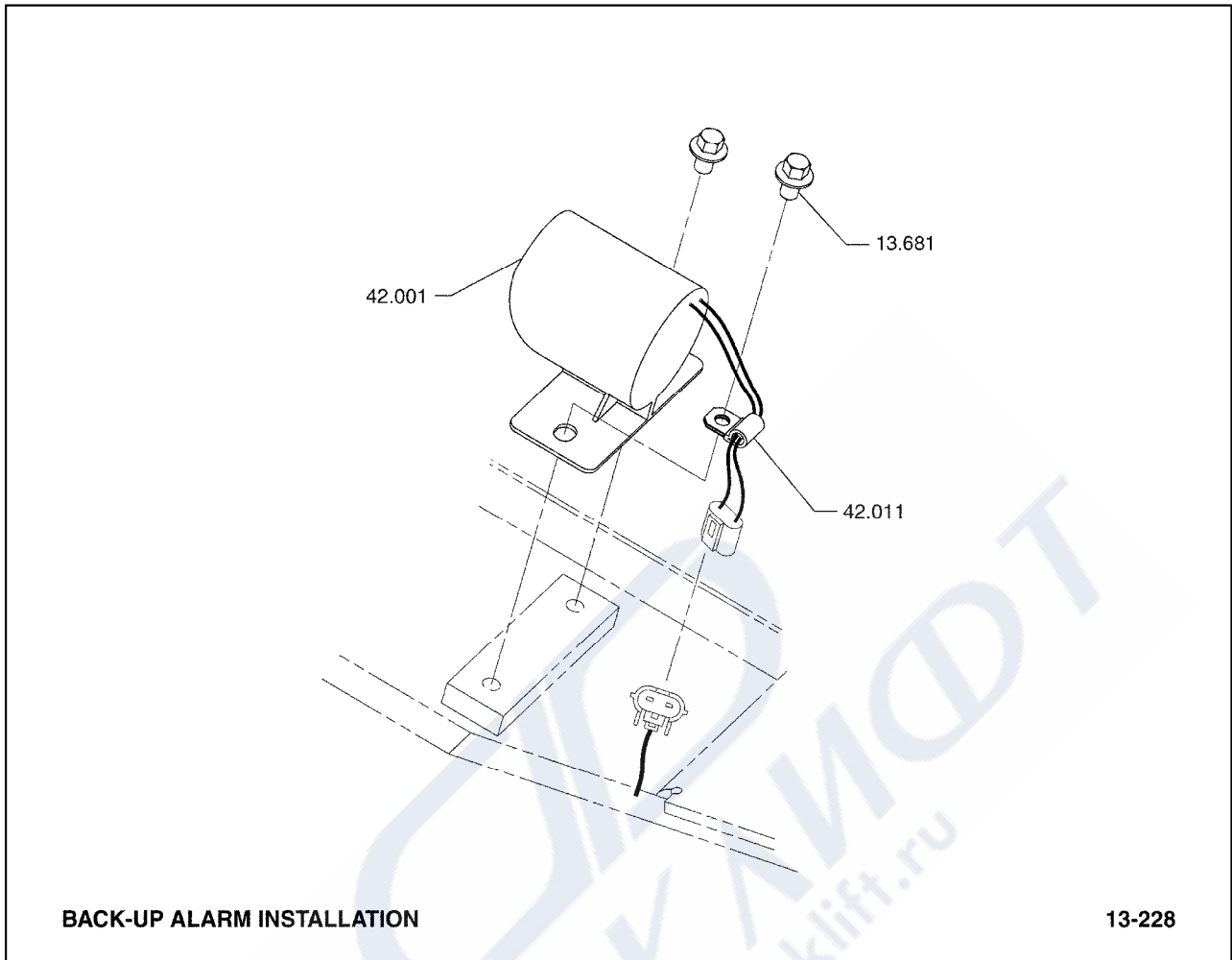




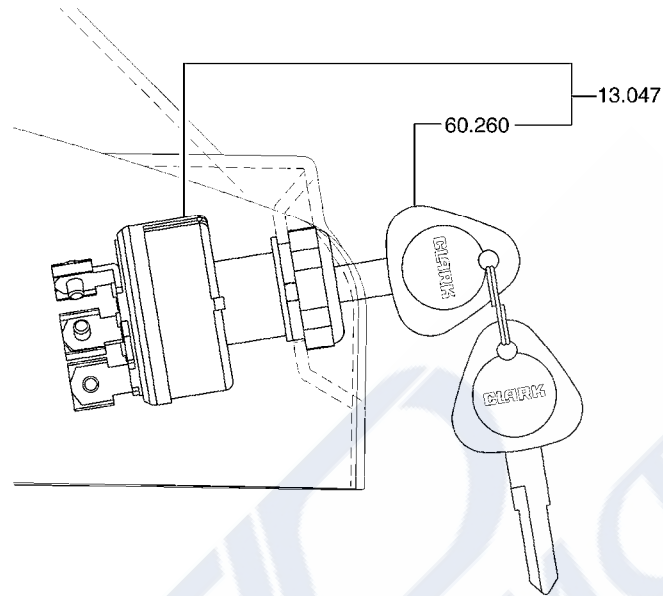
13.655	SWITCH, TURN INDICATOR 스위치
13.660	LIGHT, TURN SIGNAL 라이트
13.661	BULB, TURN SIGNAL LIGHT 전구
13.673	BRACKET, TURN LIGHT 브라켓
13.674	FASTENER, TURN LIGHT BRACKET 패스너
14.666	WIRING HARNESS, TURN SIGNAL LIGHTS 와이어하네스
15.714	FLASHER, UNIT 플래셔
60.958	COVER, ACCESSORY WIRE PROTECTION 커버



- | | |
|--------|--------------------------------|
| 13.332 | ASSEMBLY, WARNING LIGHT
경고등 |
| 13.333 | BULB, WARNING LIGHT
전구 |
| 60.821 | GLOBE, STROBE LIGHT
글로브 |
| 60.822 | BASE, STROBE LIGHT
베이스 |



- | | |
|--------|--|
| 13.681 | FASTENER, WARNING DEVICE
패스너 |
| 42.001 | WARNING DEVICE, AUDIBLE (AIR OPER)
경고장치 |
| 42.011 | CLIP, AUDIBLE WARNING DEVICE CABLE
클립 |

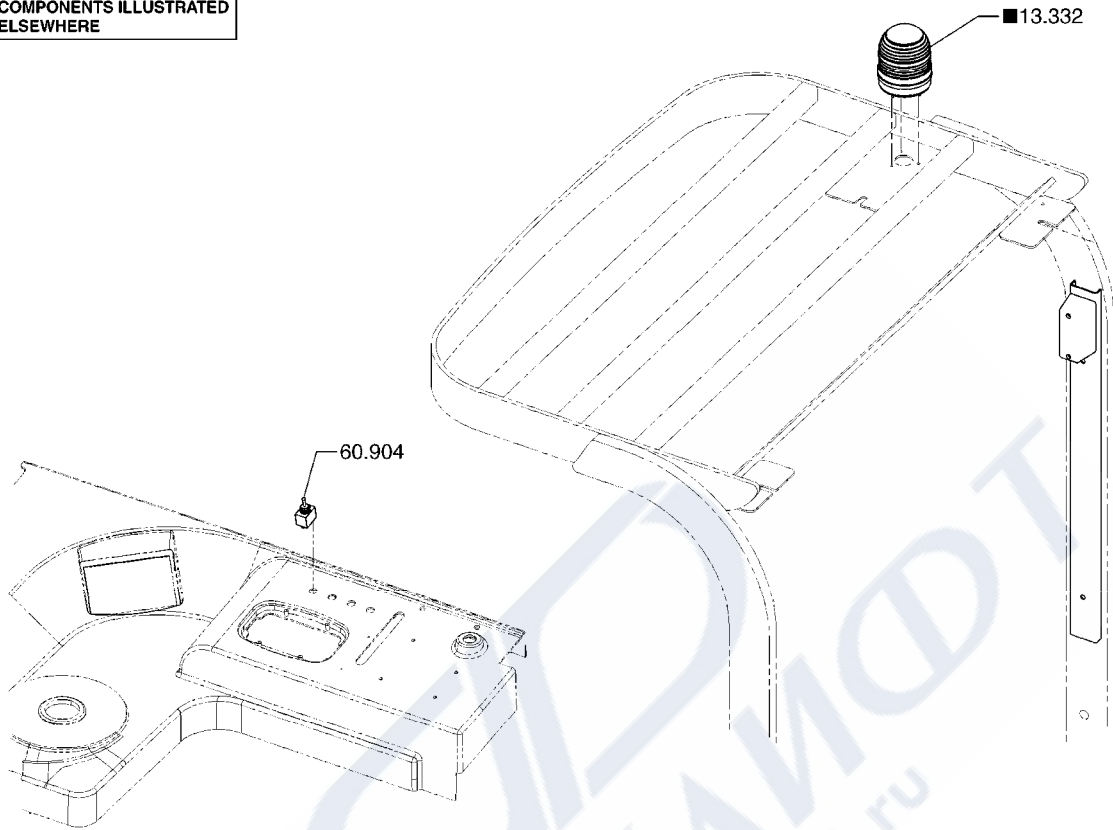


KEY SWITCH INSTALLATION

13-292

- | | |
|--------|----------------------------------|
| 13.047 | SWITCH, CIRCUIT LOCKING
스위치 |
| 60.260 | KEY, CIRCUIT LOCKING SWITCH
키 |

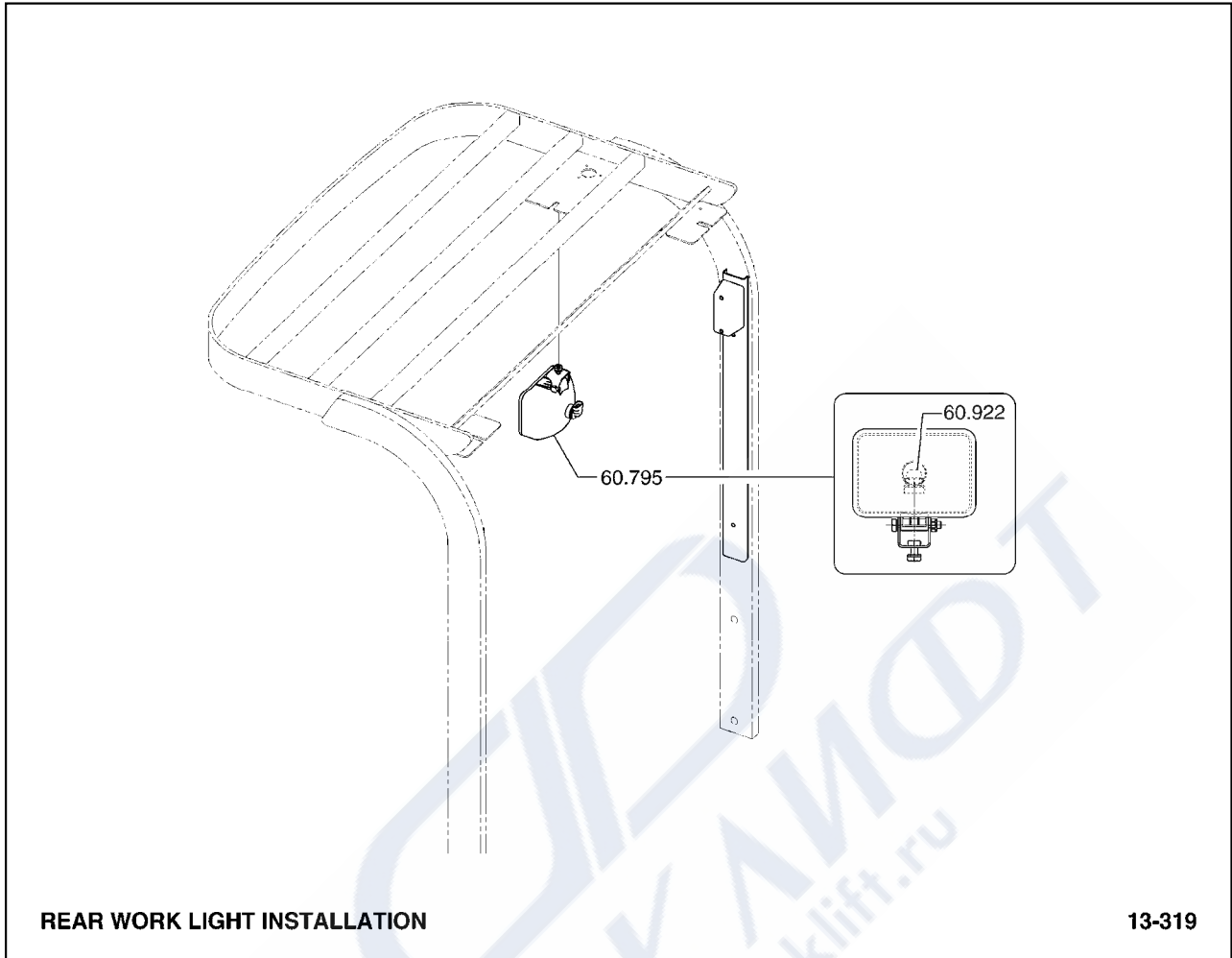
■ INDICATES AN ASSEMBLY
HAVING SERVICEABLE
COMPONENTS ILLUSTRATED
ELSEWHERE



STROBE LIGHT MOUNTING

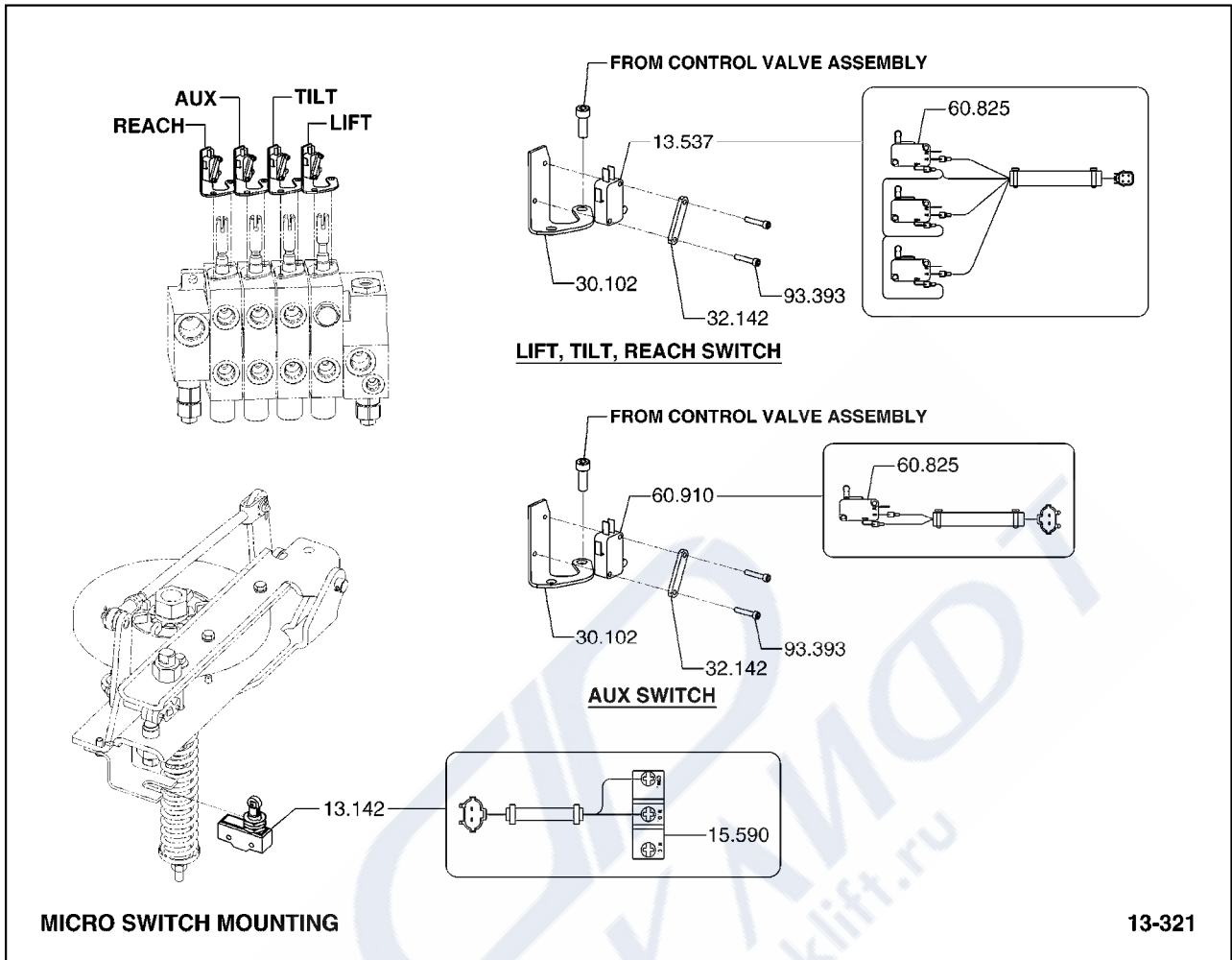
13-318

- | | |
|--------|--------------------------------|
| 13.332 | ASSEMBLY, WARNING LIGHT
경고등 |
| 60.904 | SWITCH, STROBE LIGHT
스위치 |

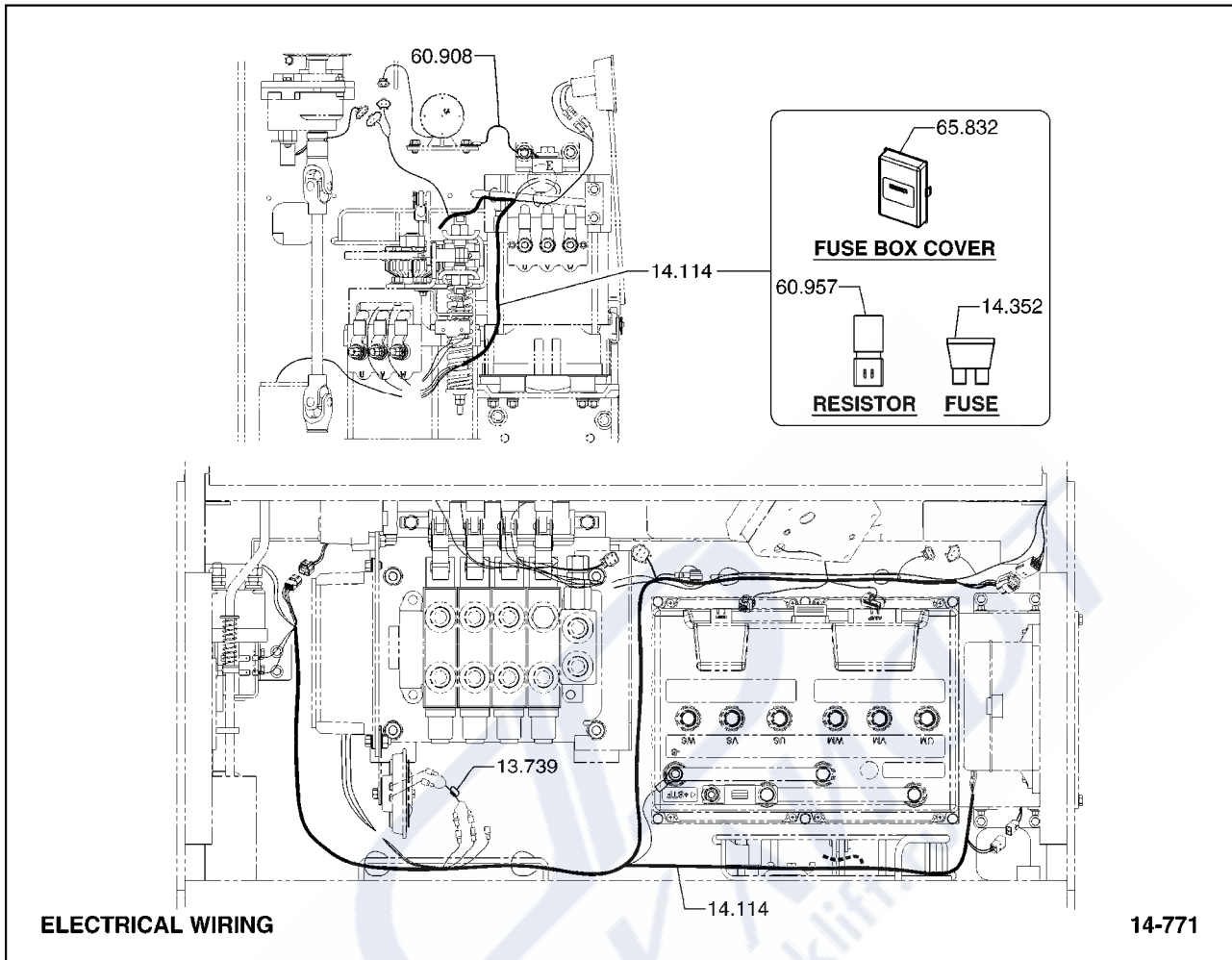


60.795 LIGHT, REAR WORK
라이트

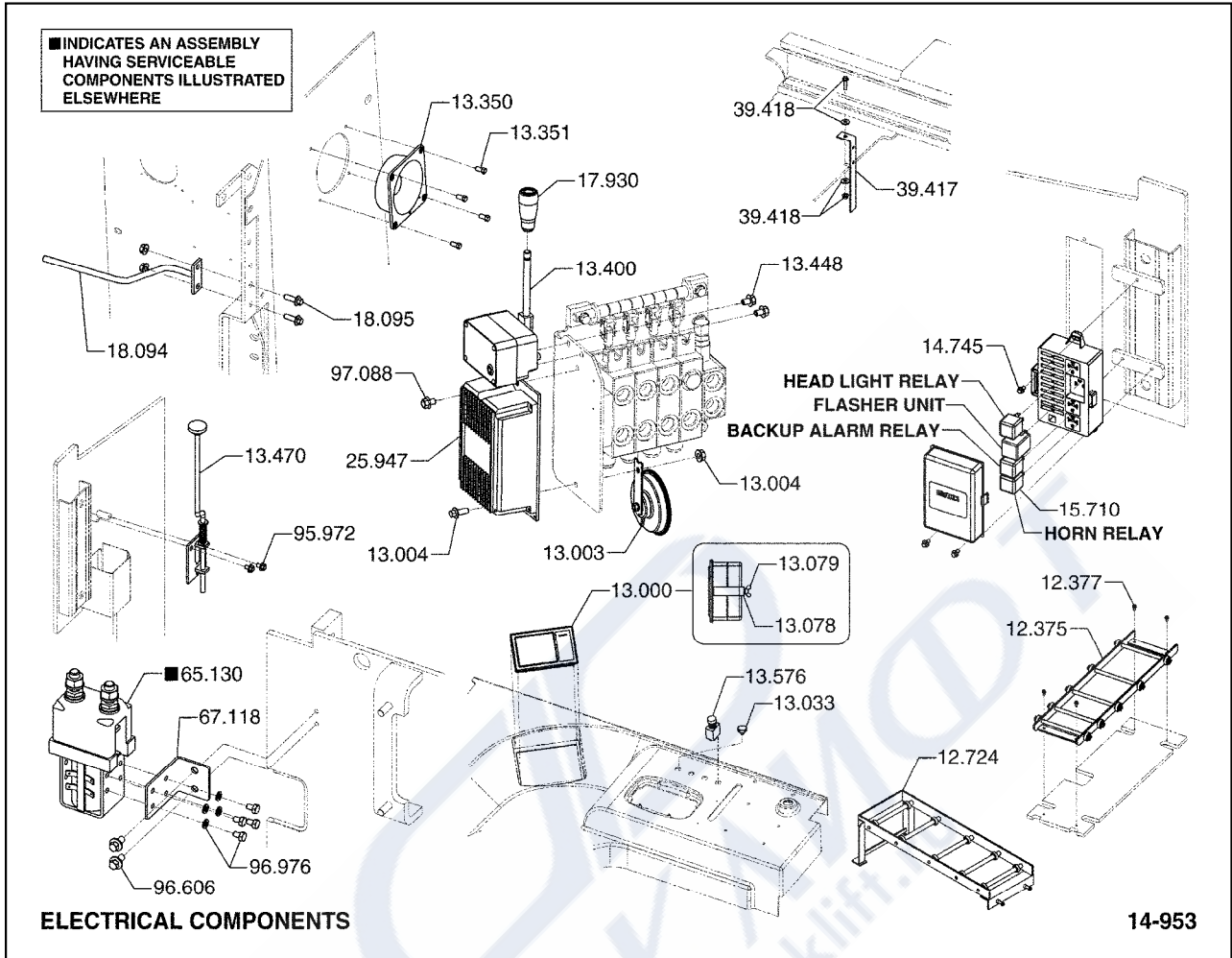
60.922 BULB, REAR WORK LAMP
전구



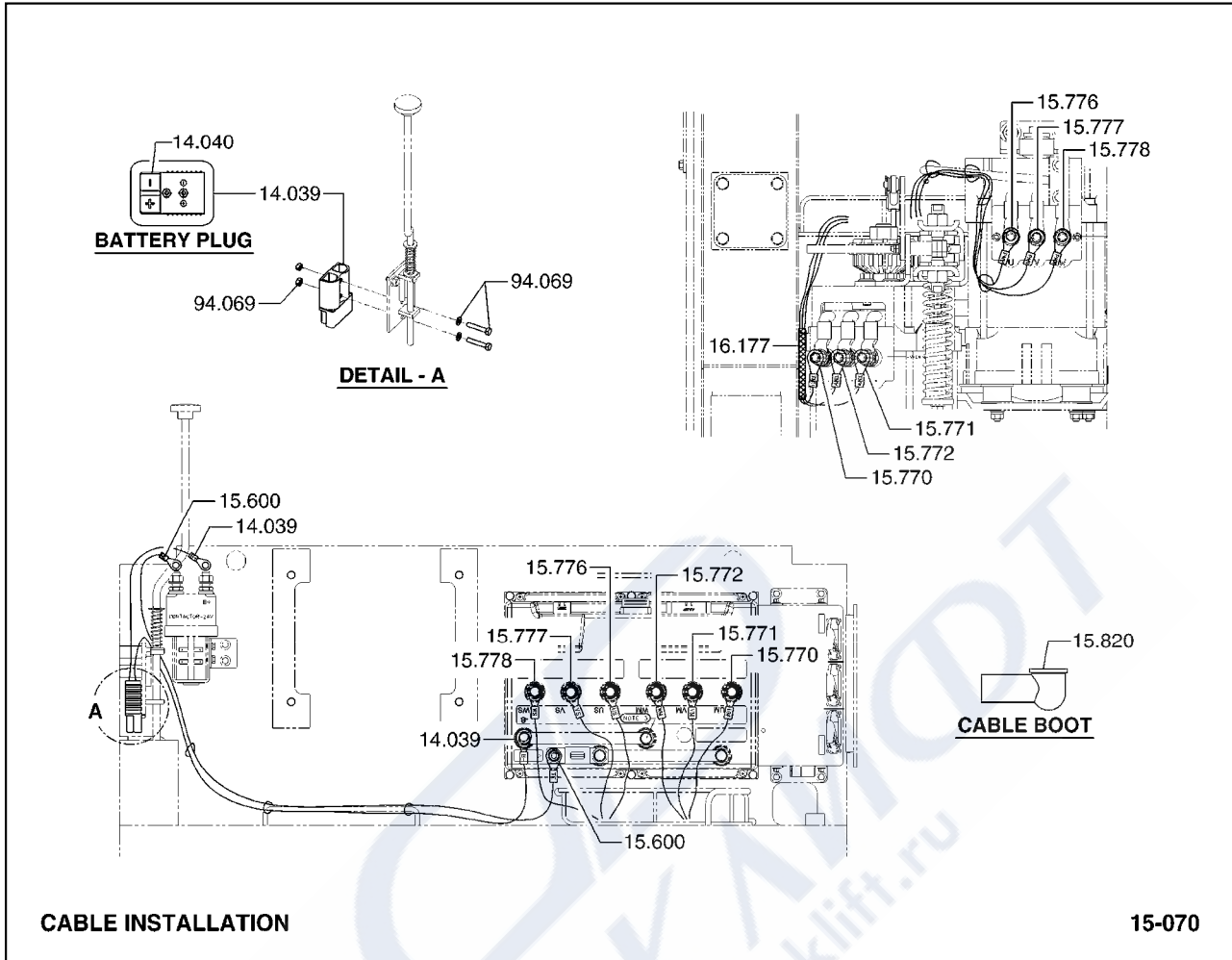
- 13.142 SWITCH, BRAKE INTERLOCK
스위치
- 13.537 SWITCH, CONTROL VALVE PUMP OPERATING
스위치
- 15.590 SWITCH, BRAKE
스위치
- 30.102 BRACKET, HYDRAULIC VALVE SWITCH
브라켓
- 32.142 PLATE, SWITCH MOUNTING BRACKET
플레이트
- 60.825 SWITCH
스위치
- 60.910 SWITCH, CONTROL VALVE PUMP OPERATING
스위치
- 93.393 FASTENER, HYDRAULIC VALVE SWITCH BRACKET
패스너



- | | |
|--------|----------------------------------|
| 13.739 | FILTER, HORN
필터 |
| 14.114 | HARNESS, MACHINE WIRING
하네스 |
| 14.352 | FUSE, CONTROL CIRCUIT
퓨즈 |
| 60.908 | WIRE, LEAD GROUND
와이어 |
| 60.957 | RESISTOR, WIRING HARNESS
레지스터 |
| 65.832 | COVER, FUSE BOX
커버 |



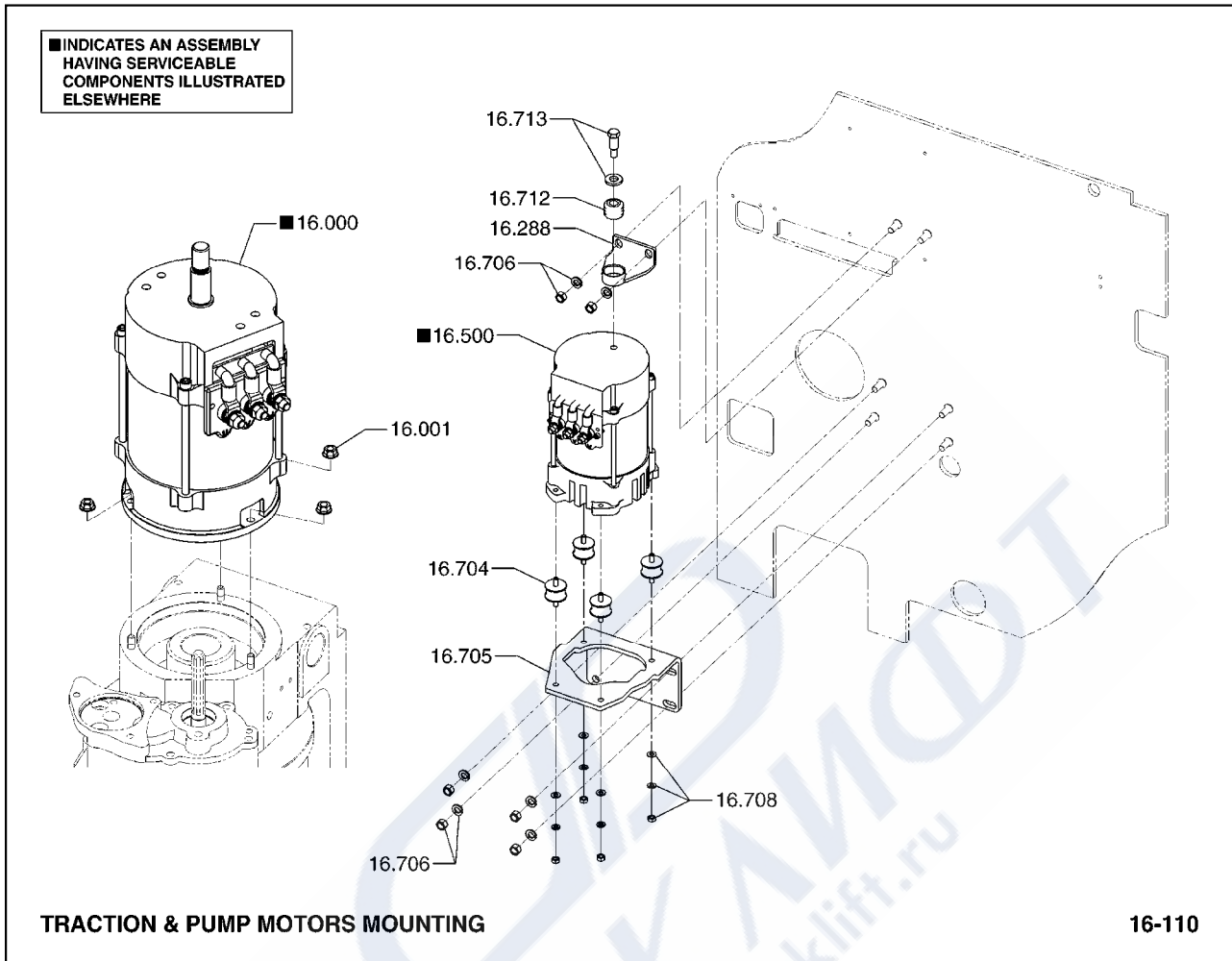
12.375	SLIDE, BATTERY 슬라이드	14.745	FASTENER, FUSE HOLDER MOUNTING BRACKET 패스너
12.377	FASTENER, BATTERY SLIDE 패스너	15.710	RELAY, ELECTRICAL 릴레이
12.724	TABLE, BATTERY 테이블	17.930	KNOB, FORWARD & REVERSE LEVER 노브
13.000	PANEL, INSTRUMENT CLUSTER 판넬	18.094	BRACKET, WIRE HARNESS STRAP 브라켓
13.003	HORN 호른	18.095	FASTENER, WIRE HARNESS STRAP BRACKET 패스너
13.004	FASTENER, HORN MOUNTING BRACKET 패스너	25.947	CONTROLLER, POWER STEERING 컨트롤러
13.033	PLUG - BUTTON PANEL HOLE 플러그	39.417	GROUND STRAP, ELECTRIC TRUCK 접지케이블
13.078	CLAMP, INSTRUMENT CLUSTER TO INST PANEL 클램프	39.418	FASTENER, ELECTRIC TRUCK GROUND STRAP 패스너
13.079	FASTENER, INSTRUMENT CLUSTER TO INST PANEL 패스너	65.130	CONTACTOR ASSEMBLY, LINE 컨택터
13.350	BRACKET, CIRCUIT LOCKING SWITCH MOUNTING 브라켓	67.118	BRACKET, LINE CONTACTOR MOUNTING 브라켓
13.351	FASTENER, CIRCUIT LOCKING SW MTG BRACKET 패스너	95.972	FASTENER, BATTERY DISCONNECT SWITCH 패스너
13.400	CONTROL ASSEMBLY, ACCELERATING 컨트롤	96.606	FASTENER, LINE CONTACTOR MOUNTING BRACKET 패스너
13.448	FASTENER, ACCELERATING CONTROL ASSEMBLY 패스너	96.976	FASTENER, CONTACTOR MOUNTING 패스너
13.470	SWITCH, DISCONNECT 스위치	97.088	FASTENER, POWER STEERING CONTROLLER 패스너
13.576	SWITCH, HORN 스위치		



- | | |
|--------|---|
| 14.039 | RECEPTACLE & LEAD ASSEMBLY, BATTERY
리셉터클& 리드 |
| 14.040 | RECEPTACLE, BATTERY
리셉터클 |
| 15.600 | CABLE, CONTACTOR
케이블 |
| 15.770 | CABLE, DRIVE MOTOR (TMUR TO TCUR)
케이블 |
| 15.771 | CABLE, DRIVE MOTOR (TMWR TO TCVR)
케이블 |
| 15.772 | CABLE, DRIVE MOTOR (TMVR TO TCWR)
케이블 |
| 15.776 | CABLE, PUMP MOTOR (PMU TO PCU)
케이블 |
| 15.777 | CABLE, PUMP MOTOR (PMV TO PCV)
케이블 |
| 15.778 | CABLE, PUMP MOTOR (PMW TO PCW)
케이블 |

15.820	BOOT, CABLE 부트
16.177	SLEEVE, MOTOR CABLE 슬리브
94.069	FASTENER, BATTERY RECEPTACLE 패스너

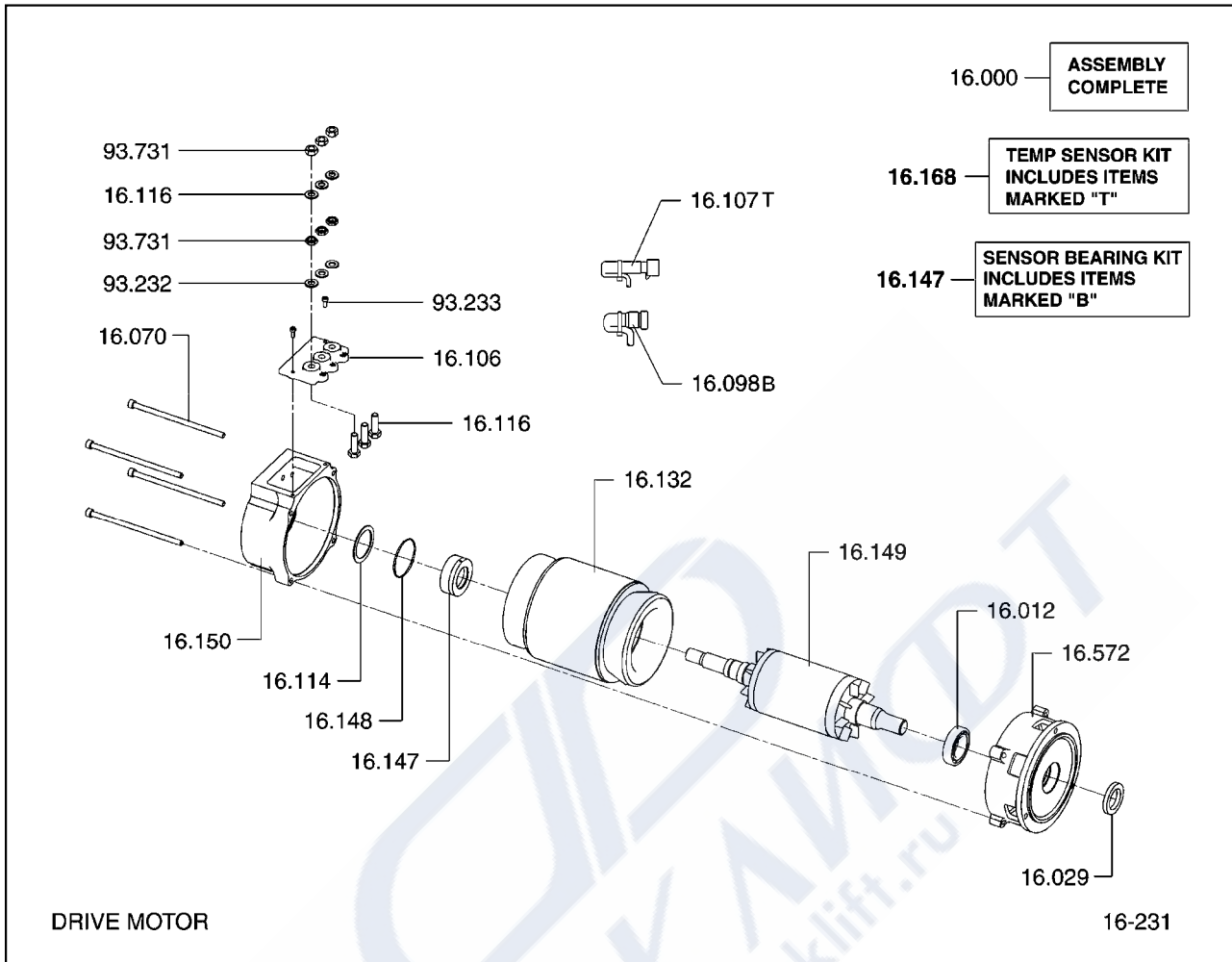




16.000	MOTOR ASSEMBLY, DRIVE 모터
16.001	FASTENER, DRIVE MOTOR 패스너
16.288	BRACKET, PUMP MOTOR VIBRATION DAMPENER 브라켓
16.500	MOTOR ASSEMBLY, PUMP 모터
16.704	DAMPENER, PUMP MOTOR VIBRATION 댐프너
16.705	BRACKET, PUMP MOTOR 브라켓
16.706	FASTENER, PUMP MOTOR BRACKET 패스너
16.708	FASTENER, PUMP MOTOR VIBRATION DAMPENER 패스너
16.712	DAMPENER, HYDRAULIC PUMP MOTOR VIBRATION 댐프너

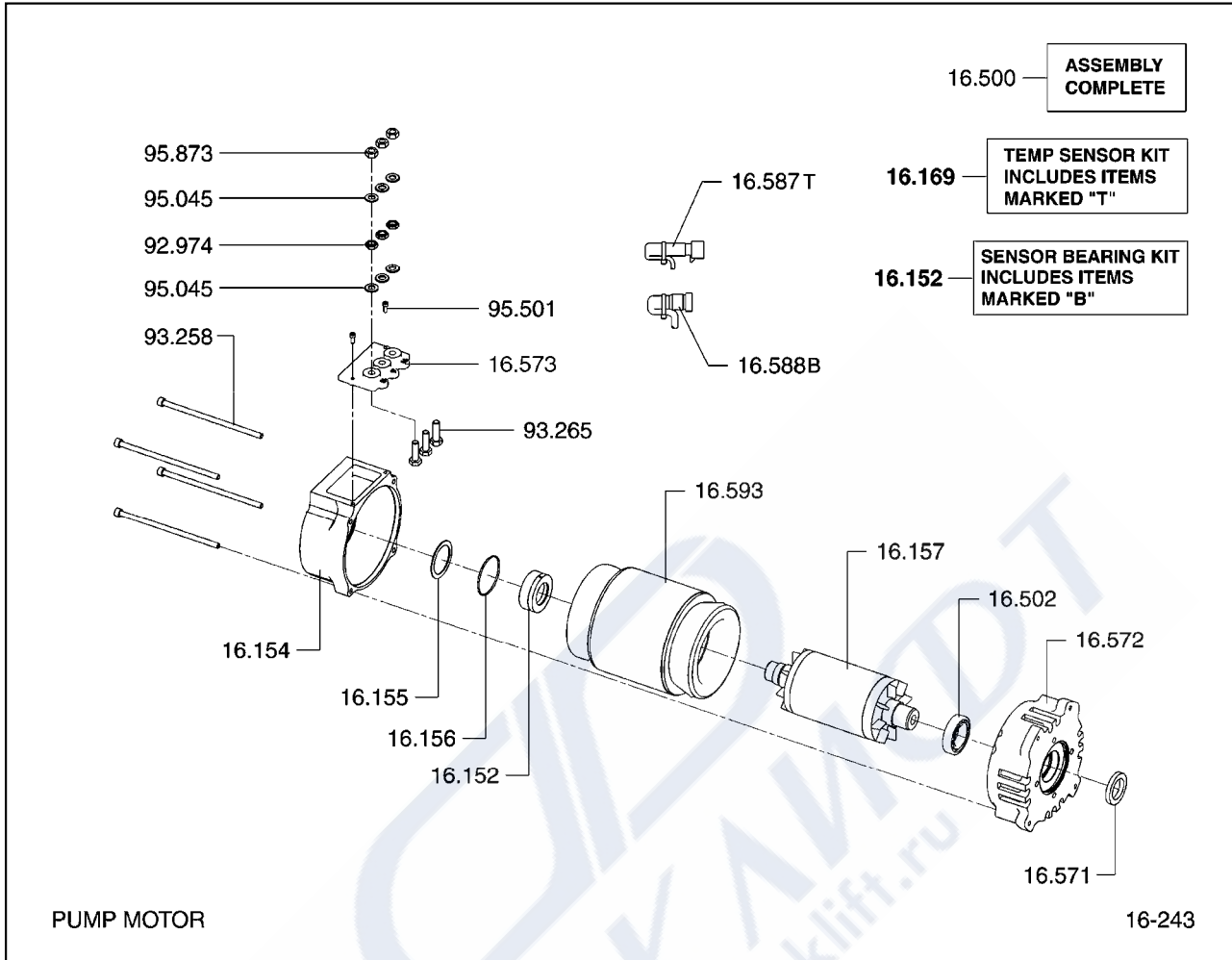
16.713 FASTENER, HYDRAULIC PUMP MOTOR DAMPENER
패스너





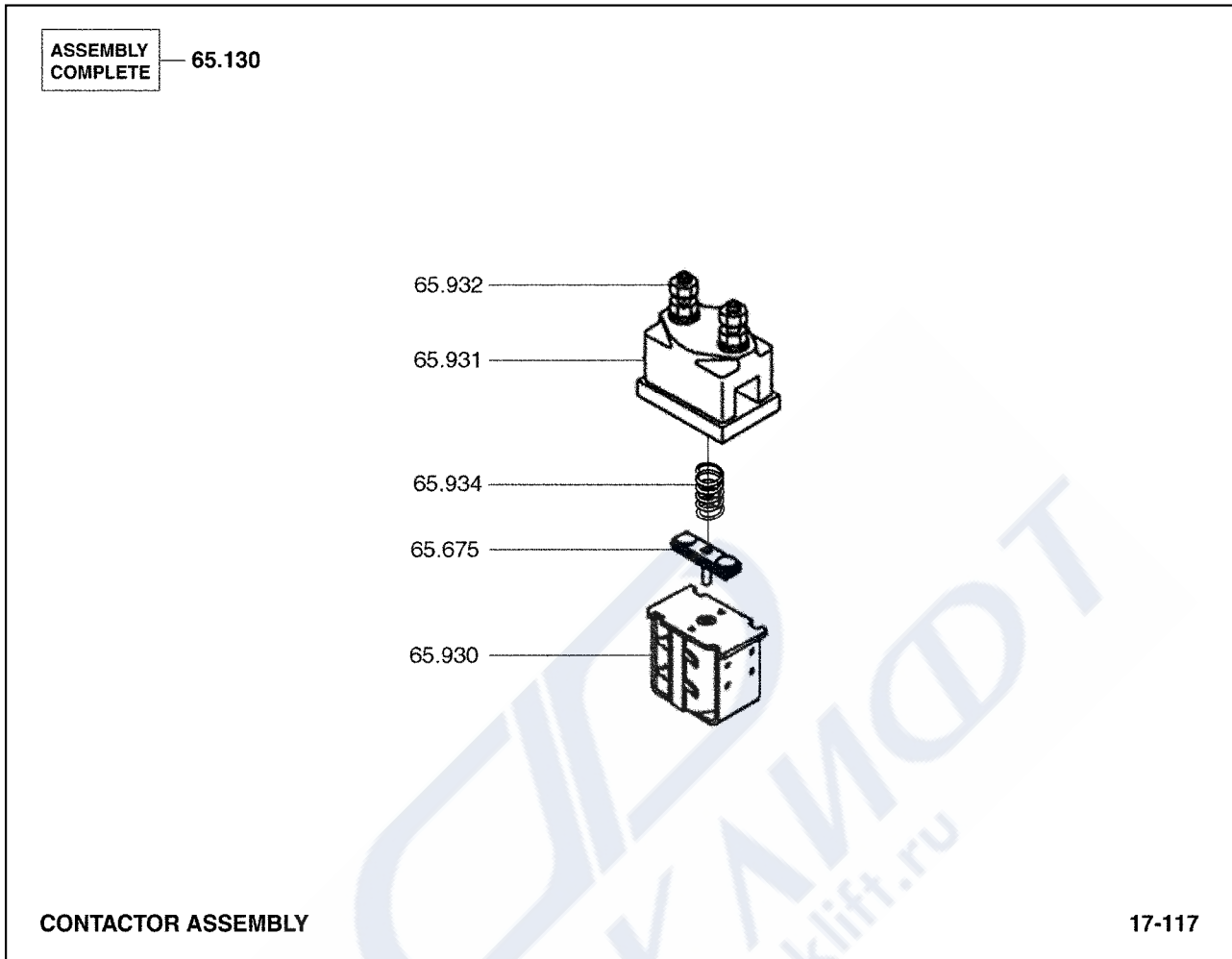
16.000	MOTOR ASSEMBLY, DRIVE 모터
16.012	BEARING, DRIVE MOTOR END 베어링
16.029	SEAL, DRIVE MOTOR ARMATURE SHAFT DRIVE END 씰
16.070	FASTENER, DRIVE MOTOR_LIFT LUG PLUG 패스너
16.098	CONNECTOR, DRIVE MOTOR BRUSH-WEAR INDICATOR 센서
16.106	TERMINAL BLOCK, DRIVE MOTOR 터미널블록
16.107	SENSOR, DRIVE MOTOR TEMPERATURE WARNING INDICATOR 센서
16.114	WASHER, DRIVE MOTOR DRIVE END THRUST 와셔
16.116	FASTENER, DRIVE MOTOR TERMINAL 패스너

16.132	YOKE, STATOR 요크
16.147	SENSOR BEARING, DRIVE MOTOR ROTOR 센서베어링
16.148	RING, DRIVE MOTOR ROTOR BEARING 링
16.149	ROTOR, DRIVE MOTOR 로터
16.150	COVER, DRIVE MOTOR ROTOR END 커버
16.168	SENSOR, DRIVE MOTOR TEMPERATURE 센서
16.572	COVER, HYDRAULIC PUMP MOTOR DRIVE END FRAME 커버
93.232	WASHER, DRIVE MOTOR TERMINAL BLOCK FASTENER 와셔
93.233	FASTENER, DRIVE MOTOR TERMINAL 패스너
93.731	NUT, DRIVE MOTOR FASTENER 너트



- | | |
|--------|---|
| 16.152 | SENSOR BEARING, PUMP MOTOR ROTOR
센서베어링 |
| 16.154 | COVER, PUMP MOTOR ROTOR END
커버 |
| 16.155 | WASHER, PUMP MOTOR ROTOR BEARING
와셔 |
| 16.156 | RING, PUMP MOTOR ROTOR BEARING
링 |
| 16.157 | ROTOR, PUMP MOTOR
로터 |
| 16.169 | SENSOR, PUMP MOTOR TEMPERATURE
센서 |
| 16.500 | MOTOR ASSEMBLY, PUMP
모터 |
| 16.502 | BEARING, PUMP MOTOR DRIVE END
베어링 |
| 16.571 | SEAL, HYDRAULIC PUMP MOTOR ARMATURE SHAFT DRIVE EN
씰 |

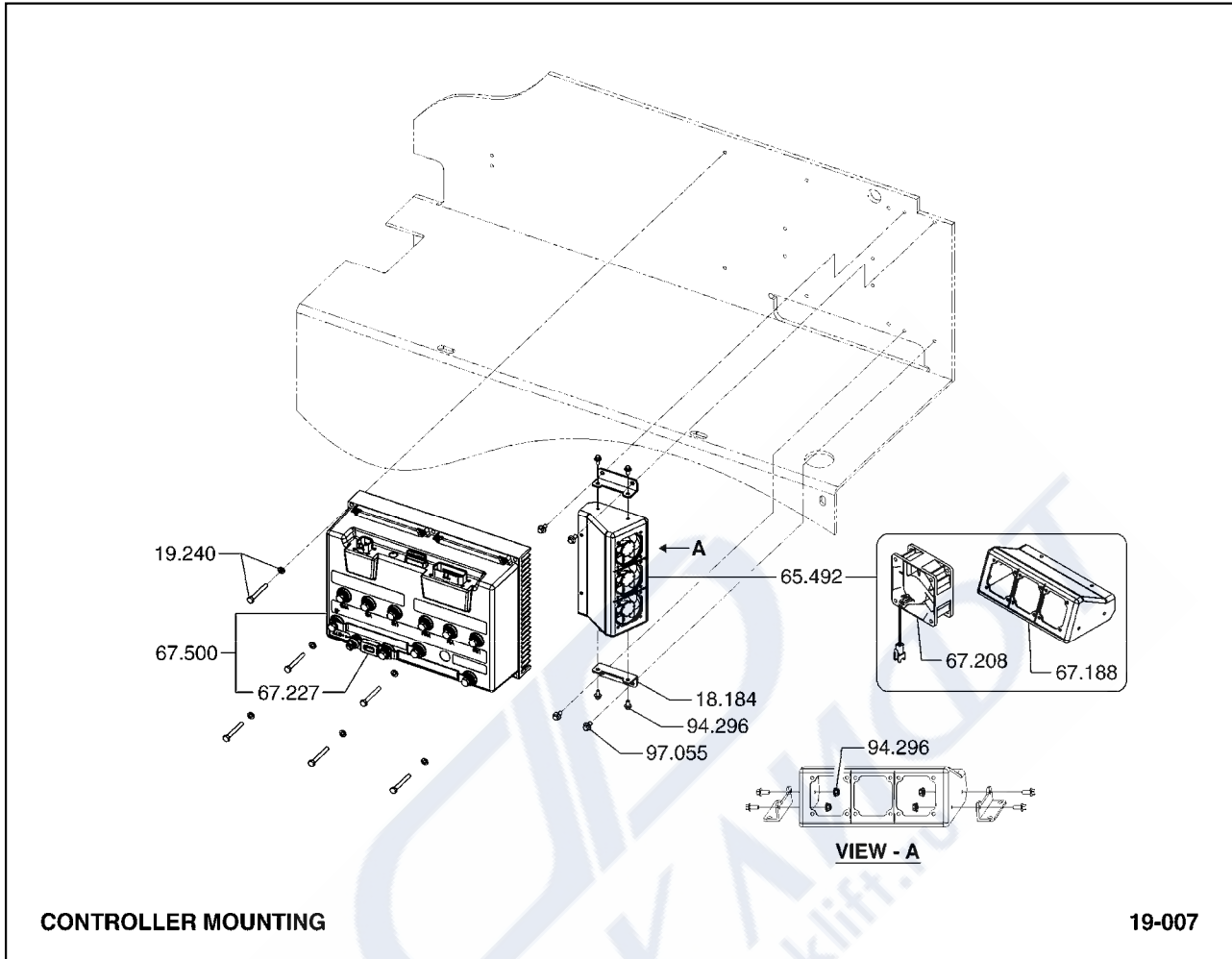
16.572	COVER, HYDRAULIC PUMP MOTOR DRIVE END FRAME 커버
16.573	TERMINAL BLOCK, HYDRAULIC PUMP MOTOR 터미널블록
16.587	SENSOR, PUMP MOTOR BRUSH WEAR INDICATOR 센서
16.588	SENSOR, PUMP MOTOR TEMPERATURE WARNING INDICATOR 센서
16.593	STATOR ASSY, HYDRAULIC-PUMP MOTOR 스테이터
92.974	NUT, HYDRAULIC PUMP MOTOR RETAINER FASTENER 너트
93.258	FASTENER, PUMP MOTOR DRIVE END FRAME COVER 패스너
93.265	FASTENER, HYDRAULIC PUMP MOTOR TERMINAL 패스너
95.045	WASHER, HYDRAULIC PUMP MOTOR TERMINAL FASTENER 와셔
95.501	FASTENER, PUMP MOTOR TERMINAL BLOCK CONNECTOR 패스너
95.873	NUT, HYDRAULIC PUMP MOTOR TERMINAL CLAMP FASTENER 너트



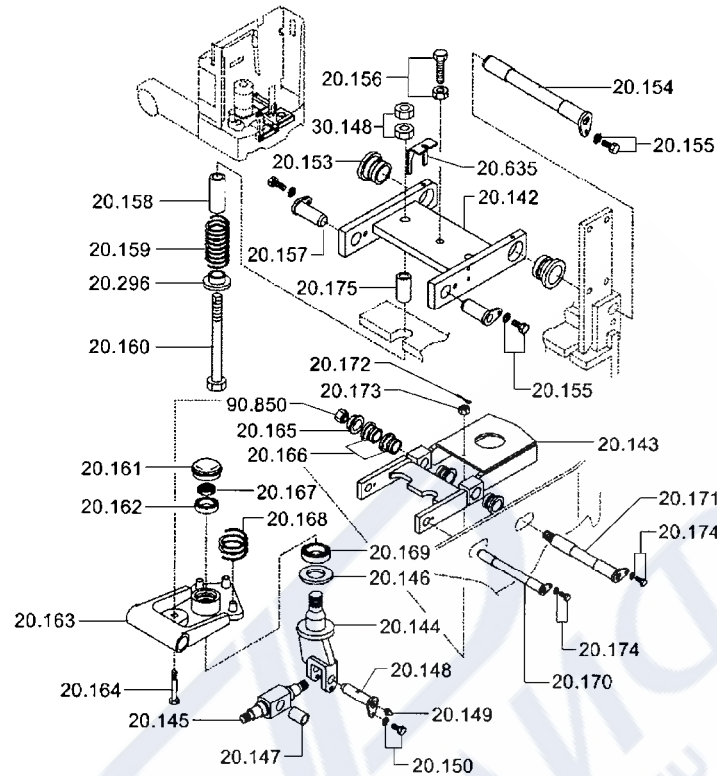
CONTACTOR ASSEMBLY

17-117

65.130	CONTACTOR ASSEMBLY, LINE 컨택터
65.675	GUIDE, CONTACTOR MOVEABLE CONTACT 가이드
65.930	ASSEMBLED COIL & MAGNET FRAME, LINE CONTACTOR 코일& 마그넷
65.931	TOP COVER, LINE CONTACTOR 탑커버
65.932	FASTENER, LINE CONTACTOR 패스너
65.934	RETURN SPRING, LINE CONTACTOR 리턴스프링



- | | |
|--------|---|
| 18.184 | BRACKET, CONTROLLER FAN MOUNTING
브라켓 |
| 19.240 | FASTENER, CONTROL PANEL MOUNTING
패스너 |
| 65.492 | FAN, ELECTRICAL COOLING
팬 |
| 67.188 | COVER, FAN
커버 |
| 67.208 | FAN, COOLING
팬 |
| 67.227 | FUSE, TRACTION & PUMP CONTROLLER
퓨즈 |
| 67.500 | CONTROLLER, TRACTION & PUMP
컨트롤러 |
| 94.296 | FASTENER, ELECTRICAL COOLING FAN
패스너 |
| 97.055 | FASTENER, FAN BRACKET MOUNTING
패스너 |



CONTROL LINKAGE

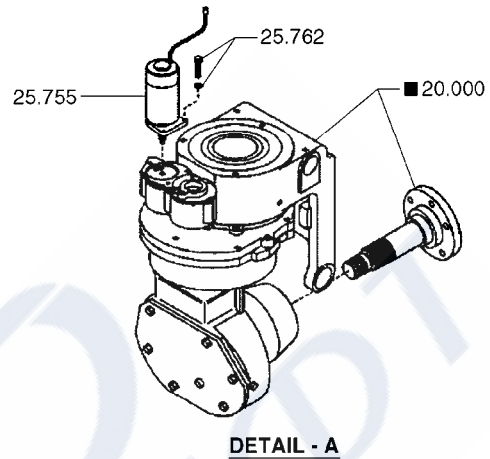
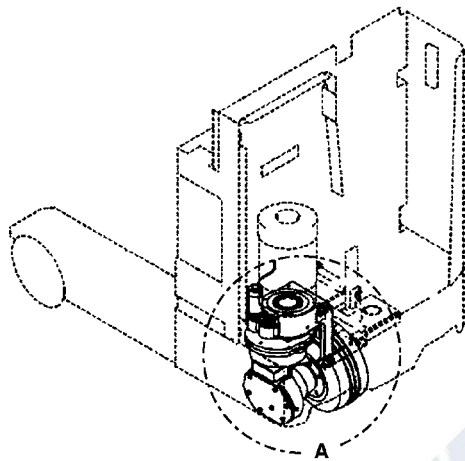
20-089

20.142	LINK, CONTROL LINKAGE UPPER 링크	20.159	SPRING, CONTROL LINKAGE LINK SPRING 스프링
20.143	LINK, CONTROL LINKAGE UNDER 링크	20.160	FASTENER, CONTROL LINKAGE SPRING 패스너
20.144	CASTER, CONTROL LINKAGE 캐스터	20.161	CAP, CONTROL LINKAGE CASTER ARM 캡
20.145	SWING AXLE, CONTROL LINKAGE 스윙액슬	20.162	BEARING, CONTROL LINKAGE CASTER ARM 베어링
20.146	RING, CONTROL LINKAGE CASTER 링	20.163	CASTER ARM, CONTROL LINKAGE CASTER ARM 캐스터암
20.147	BUSHING, CONTROL LINKAGE SWING AXLE 부싱	20.164	BOLT, CONTROL LINKAGE CASTER ARM MOUNTING 볼트
20.148	PIN, CONTROL LINKAGE CASTER 핀	20.165	SLEEVE, CONTROL LINKAGE UNDER LINK 슬리브
20.149	FITTING, CONTROL LINKAGE CASTER PIN 피팅	20.166	BUSHING, CONTROL LINKAGE UNDER LINK 부싱
20.150	FASTENER, CONTROL LINKAGE CASTER PIN 패스너	20.167	NUT, CONTROL LINKAGE CASTER ARM 너트
20.153	BUSHING, CONTROL LINKAGE UPPER LINK 부싱	20.168	SPRING, CONTROL LINKAGE CASTER ARM 스프링
20.154	LINK PIN, CONTROL LINKAGE UPPER LINK 링크핀	20.169	BEARING, CONTROL LINKAGE CASTER BEARING 베어링
20.155	FASTENER, CONTROL LINKAGE UPPER LINK PIN 패스너	20.170	LINK PIN, CONTROL LINKAGE UNDER LINK 링크핀
20.156	FASTENER, CONTROL LINKAGE UPPER LINK BRACKET 패스너	20.171	LINK PIN, CONTROL LINKAGE UNDER LINK 링크핀
20.157	PIN, CONTROL LINKAGE UPPER LINK SUPPORT 핀	20.172	SPLIT PIN, CONTROL LINKAGE UNDER LINK 스플릿핀
20.158	COLLAR, CONTROL LINKAGE UPPER LINK 칼라	20.173	NUT, CONTROL LINKAGE UNDER LINK 너트

20.174	FASTENER, CONTROL LINKAGE UNDER LINK PIN 패스너
20.175	COLLAR, CONTROL LINKAGE UPPER LINK 칼라
20.296	RETAINER, DIFFERENTIAL SPRING 리테이너
20.635	SHIM, DRIVE AXLE INTERNAL GEAR HUB RETAINER 삼
30.148	FASTENER, CONTROL LINKAGE BRACKET 패스너
90.850	NUT, CONTROL LINKAGE BRACKET FASTENER 너트



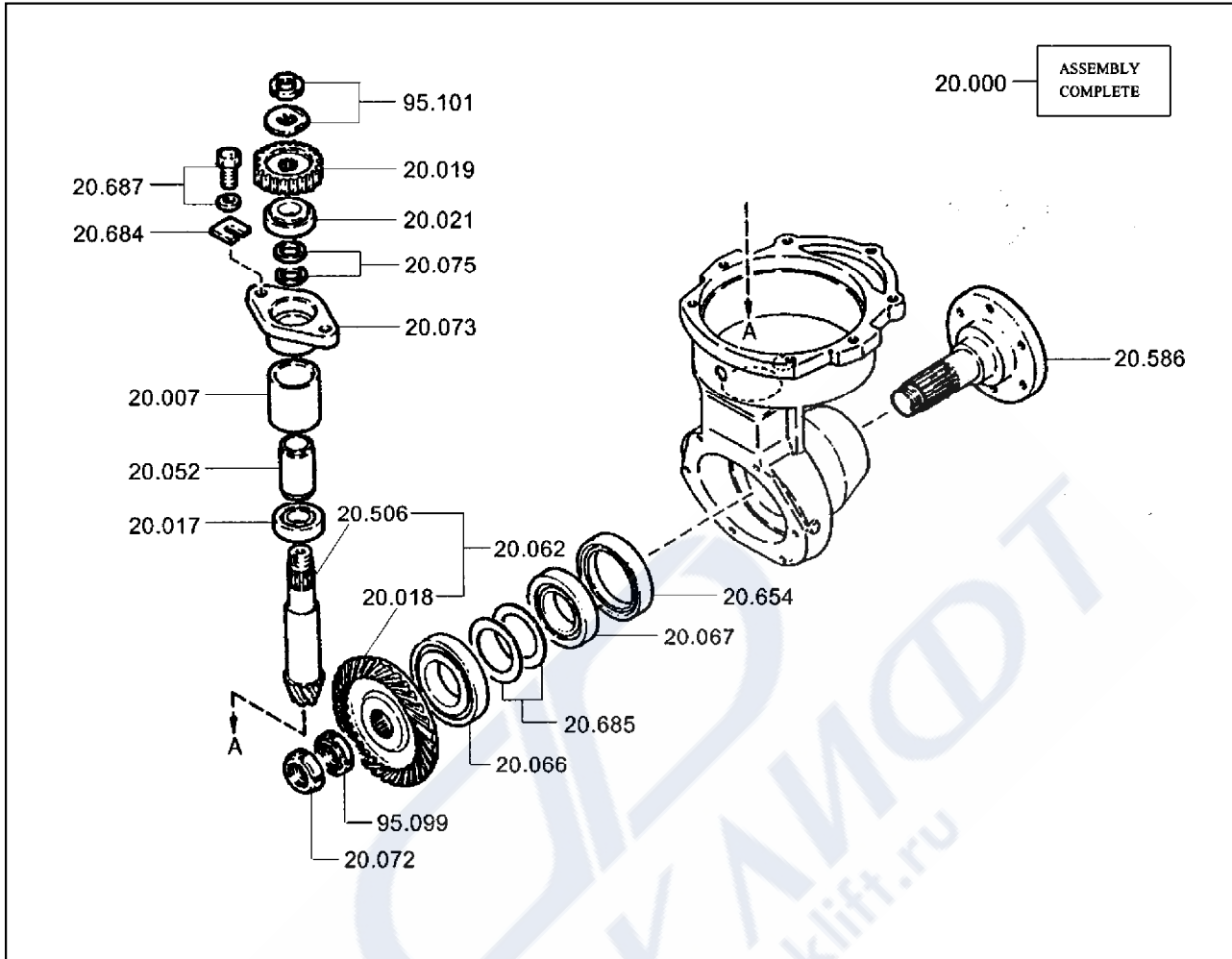
■ INDICATES AN ASSEMBLY
HAVING SERVICEABLE
COMPONENTS ILLUSTRATED
ELSEWHERE



DRIVE UNIT MOUNTING

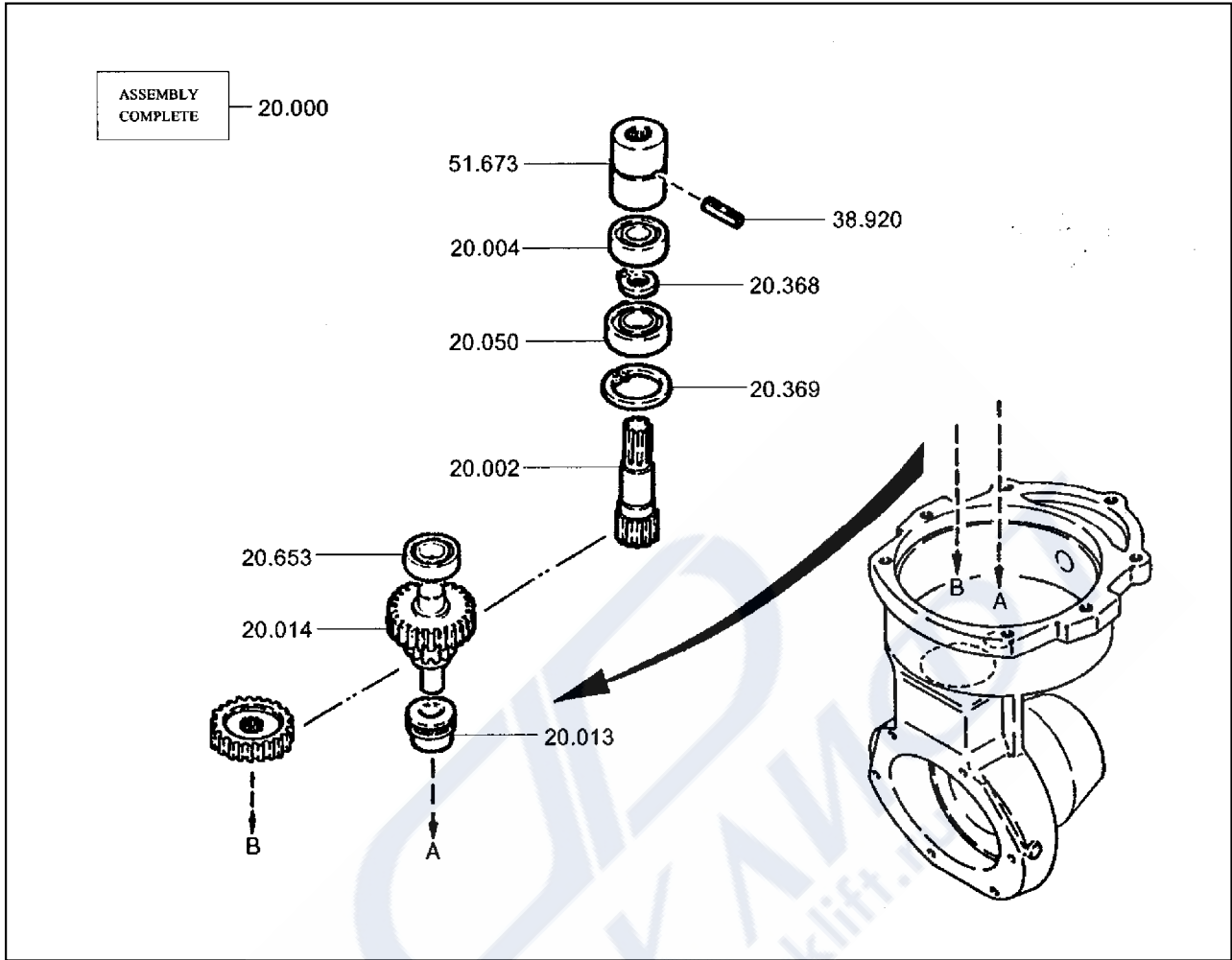
20-096

20.000	DRIVE UNIT ASSEMBLY 드라이브유닛
25.755	MOTOR, POWER STEERING 모터
25.762	FASTENER, POWER STEERING MOTOR MOUNTING 패스너



20.000	DRIVE UNIT ASSEMBLY 드라이브유닛
20.007	SPACER, DRIVE HOUSING SPINDLE BEARING 스페이서
20.017	BEARING, DRIVE UNIT PINION INBOARD 베어링
20.018	GEAR, DRIVE UNIT PINION 기어
20.019	GEAR, DRIVE UNIT MAIN 기어
20.021	BEARING, DRIVE UNIT PINION OUTBOARD 베어링
20.052	SPACER, DRIVE UNIT PINION BEARING 스페이서
20.062	GEAR SET, DRIVE UNIT RING & PINION 기어세트
20.066	BEARING, DRIVE UNIT OUTPUT SHAFT-INNER 베어링

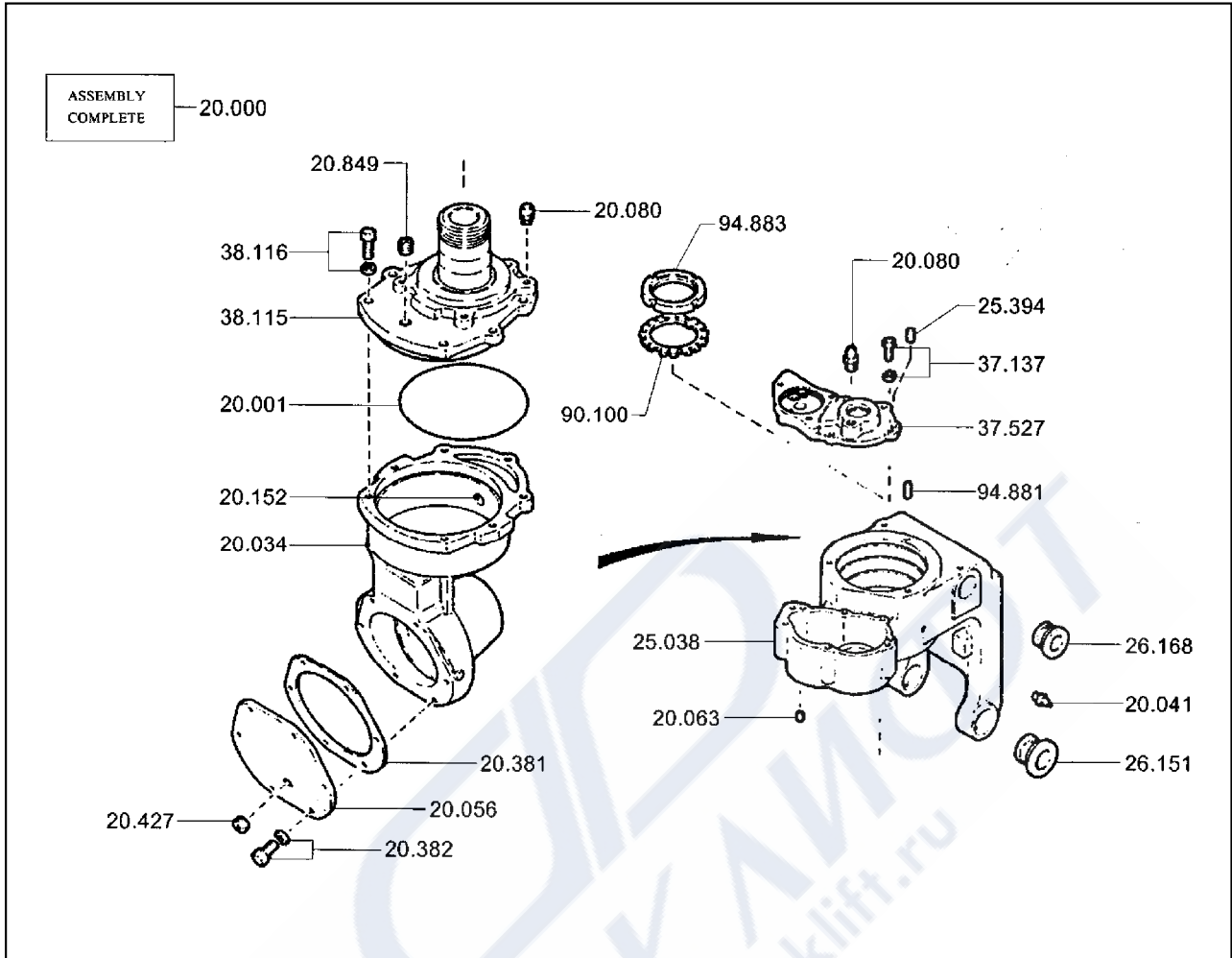
20.067	BEARING, DRIVE UNIT OUTPUT SHAFT-OUTER 베어링
20.072	LOCKNUT, DRIVE UNIT FIRST REDUCTION GEAR 로크너트
20.073	SHIELD, DRIVE UNIT AXLE SHAFT 실드
20.075	SHIM, DRIVE UNIT PINION BEARING 심
20.506	PINION SHAFT, INTERNAL GEAR HUB 피니언샤프트
20.586	SHAFT, DRIVE AXLE 샤프트
20.654	SEAL, DRIVE UNIT HOUSING FILLER PLUG 씰
20.684	SHIM, DRIVE UNIT PINION BEARING 심
20.685	SHIM, DRIVE UNIT AXLE SHAFT GEAR 심
20.687	FASTENER, DRIVE UNIT HOUSING 패스너
95.099	NUT, DRIVE UNIT STOP FASTENER 너트
95.101	FASTENER, DRIVE UNIT 패스너



20.000	DRIVE UNIT ASSEMBLY 드라이브유닛
20.002	SPINDLE, DRIVE HOUSING 스핀들
20.004	BEARING, DRIVE HOUSING SPINDLE 베어링
20.013	BEARING, DRIVE UNIT REDUCTION GEAR 베어링
20.014	GEAR, DRIVE UNIT REDUCTION 기어
20.050	BEARING, DRIVE HOUSING SPINDLE 베어링
20.368	RETAINER, DRIVE UNIT PINION OUTBOARD BRG 리테이너
20.369	RETAINER, DRIVE UNIT PINION INBOARD BRG 리테이너
20.653	BEARING, DRIVE UNIT REDUCTION GEAR 베어링

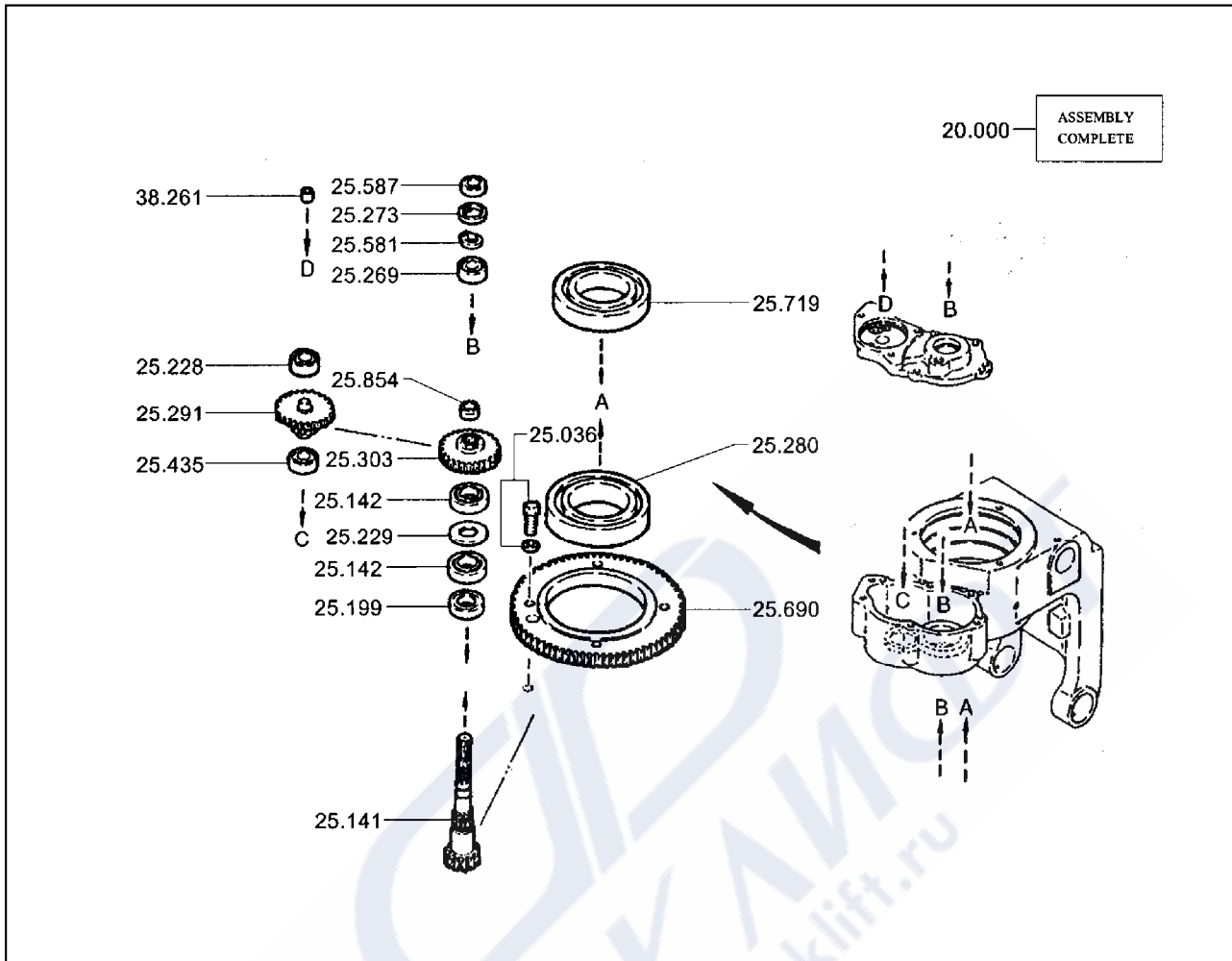
38.920	PIN, COUPLER 핀
51.673	COUPLER, GEAR BOX INPUT SHAFT 커플러





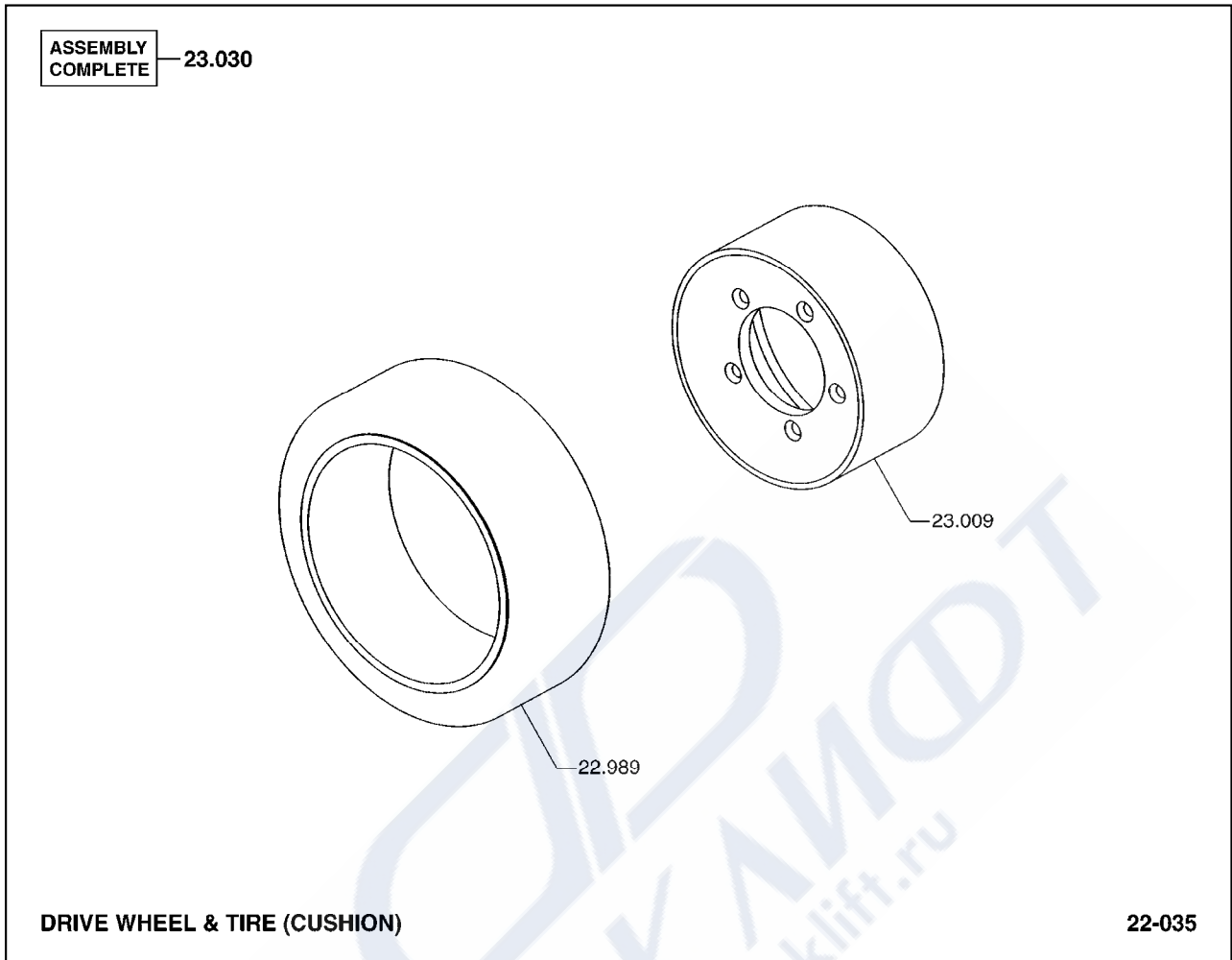
20.000	DRIVE UNIT ASSEMBLY 드라이브유닛
20.001	SEAL, DRIVE UNIT HOUSING DUST 씰
20.034	HOUSING ASSEMBLY, DRIVE UNIT 하우징
20.041	FITTING, SPINDLE AND BEARING GREASE 피팅
20.056	COVER, DRIVE UNIT REDUCTION GEAR 커버
20.063	STOP, DRIVE UNIT 스톱
20.080	BREATHER, DRIVE UNIT 브리더
20.152	GAUGE, LEVEL GAUGE 게이지
20.381	GASKET, AXLE HOUSING COVER PLATE 가스켓

20.382	BOLT 볼트
20.427	PLUG, DIFFERENTIAL & AXLE HOUSING DRAIN 플러그
20.849	PLUG, DRIVE AXLE HOUSING 플러그
25.038	HOUSING ASSEMBLY-CUP & BUSHING, STEERING 하우징
25.394	PIN, STEERING LINK (AXLE) 핀
26.151	BUSHING, STEER AXLE TO SUPPORT 부싱
26.168	BUSHING, STEER AXLE PIVOT 부싱
37.137	FASTENER, STEER GEAR ACCESS COVER 패스너
37.527	COVER, STEERING GEAR ACCESS 커버
38.115	COVER, DRIVE UNIT COMPARTMENT 커버
38.116	FASTENER, DRIVE UNIT COVER 패스너
90.100	LOCKWASHER, STEERING GEAR ACCESS COVER FASTENER 로크와셔
94.881	FASTENER, STEERING GEAR ACCESS COVER 패스너
94.883	NUT, STEERING GEAR ACCESS COVER FASTENER 너트



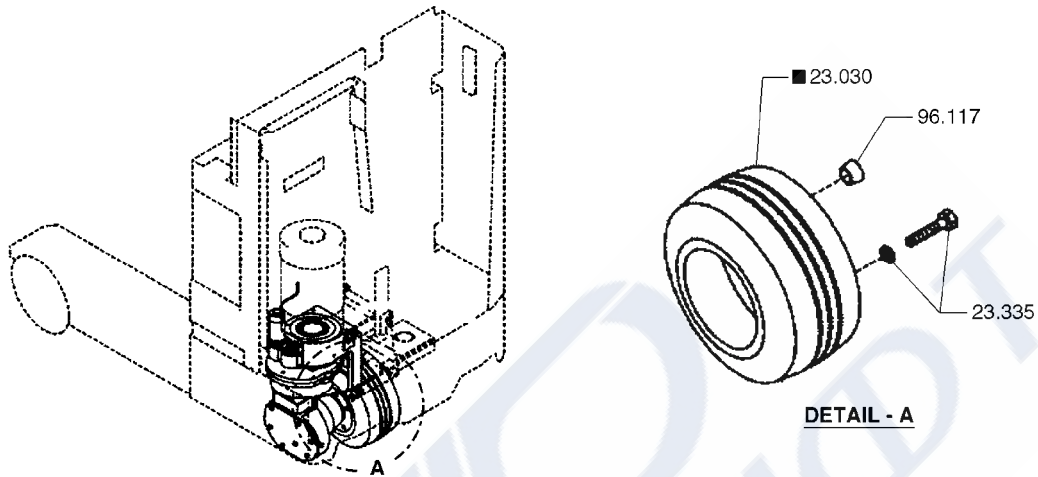
- | | |
|--------|---|
| 20.000 | DRIVE UNIT ASSEMBLY
드라이브유닛 |
| 25.036 | FASTENER, STEERING GEAR ATTACHING
패스너 |
| 25.141 | SHAFT, STEERING GEAR
샤프트 |
| 25.142 | BEARING, STEERING GEAR SHAFT (LOWER)
베어링 |
| 25.179 | SEAL, ROD END DUST COVER
씰 |
| 25.199 | SEAL, STEERING GEAR SHAFT
씰 |
| 25.228 | BEARING, STEERING INPUT SHAFT
베어링 |
| 25.229 | SPACER, STEERING INPUT SHAFT
스페이서 |
| 25.269 | BEARING, STEERING GEAR SHAFT (UPPER)
베어링 |

25.273	RETAINER, STEERING GEAR SHAFT BEARING 리테이너
25.280	BEARING, STEERING DRIVE SPROCKET 베어링
25.291	GEAR, STEERING DRIVE 기어
25.303	GEAR, STEERING INTERMEDIATE DRIVE 기어
25.435	BEARING, STEERING INPUT SHAFT (GEAR END) 베어링
25.581	RETAINER, STEERING GEAR THRUST BEARING 리테이너
25.587	SEAL, STEERING GEAR SHAFT UPPER BEARING 씰
25.690	GEAR, STEERING DIRECTION INDICATOR DRIVE 기어
25.854	CONNECTOR, STEER GEAR SHAFT 커넥터
38.261	BEARING, STEERING GEAR SUPPORT 베어링



- | | |
|--------|---|
| 22.989 | TIRE ASSEMBLY, DRIVE
타이어 |
| 23.009 | RIM ASSEMBLY, DRIVE WHEEL
립 |
| 23.030 | DRIVE WHEEL AND TIRE ASSEMBLY
드라이브휠& 타이어 |

■ INDICATES AN ASSEMBLY
HAVING SERVICEABLE
COMPONENTS ILLUSTRATED
ELSEWHERE

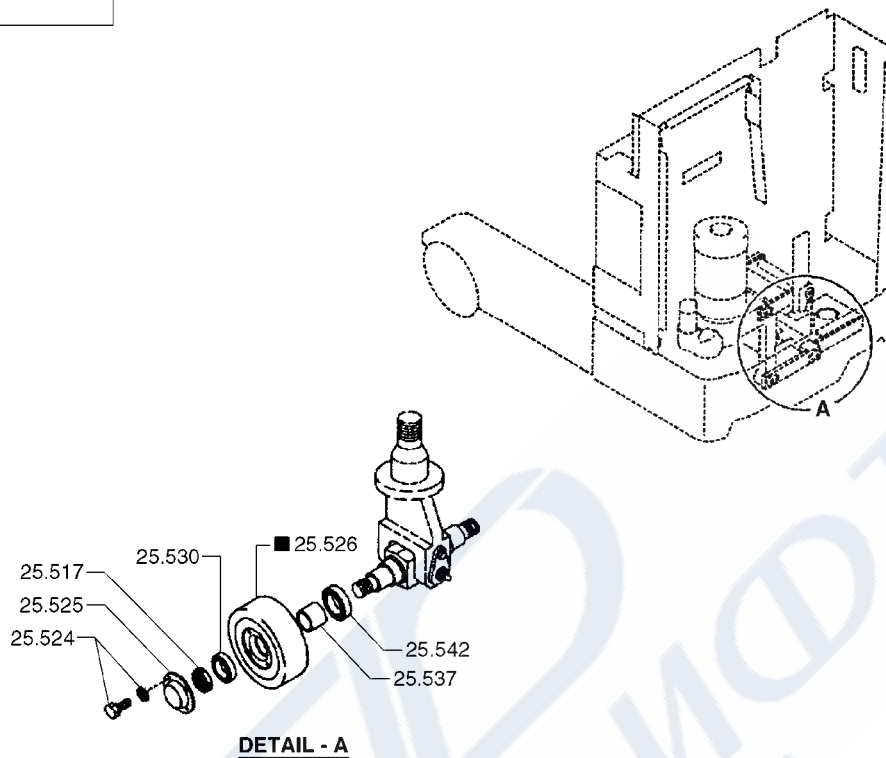


DRIVE WHEEL & TIRE MOUNTING

22-046

- | | |
|--------|--|
| 23.030 | DRIVE WHEEL AND TIRE ASSEMBLY
драй브휠& 타이어 |
| 23.335 | FASTENER, DRIVE WHEEL
패스너 |
| 96.117 | WASHER, DRIVE WHEEL MOUNTING FASTENER
와셔 |

■ INDICATES AN ASSEMBLY
HAVING SERVICEABLE
COMPONENTS ILLUSTRATED
ELSEWHERE

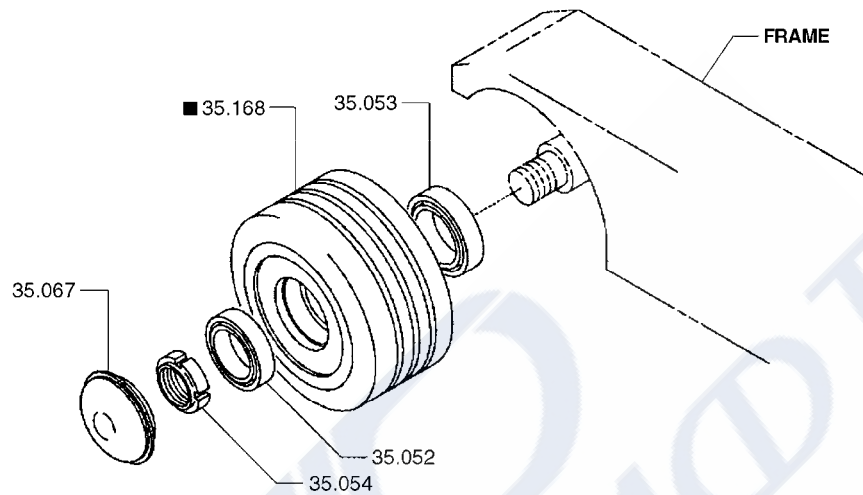


STABILIZER WHEEL MOUNTING

22-047

25.517	FASTENER, STABILIZER WHEEL AXLE 패스너
25.524	FASTENER, STABILIZER WHEEL HUB 패스너
25.525	CAP, STABILIZER WHEEL HUB 캡
25.526	WHEEL AND TIRE ASSEMBLY, STABILIZER 휠& 타이어
25.530	BEARING, STABILIZER WHEEL 베어링
25.537	SPACER, STABILIZER WHEEL BEARING 스페이서
25.542	BEARING, STABILIZER WHEEL AXLE PIVOT 베어링

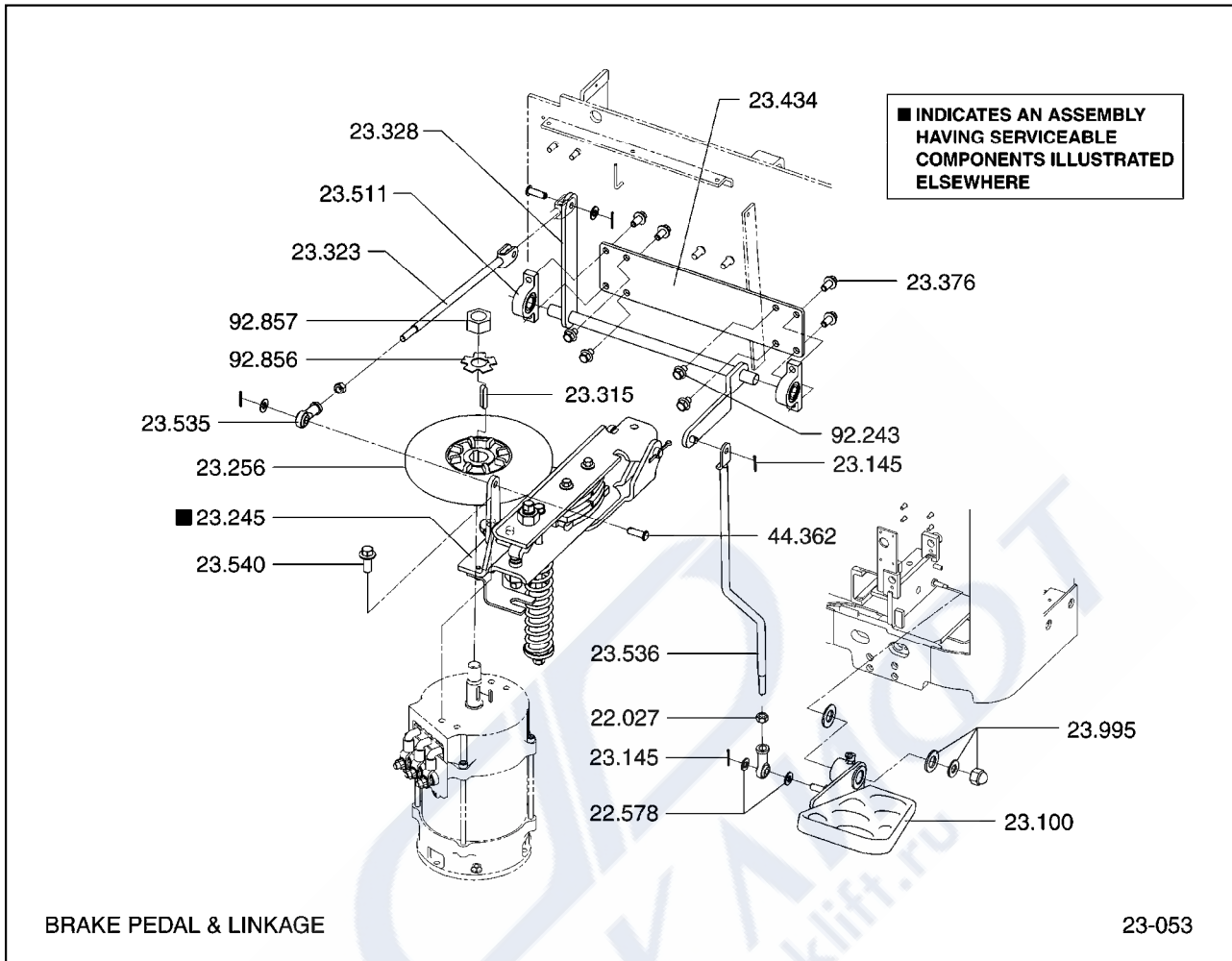
■ INDICATES AN ASSEMBLY
HAVING SERVICEABLE
COMPONENTS ILLUSTRATED
ELSEWHERE



LOAD WHEEL MOUNTING

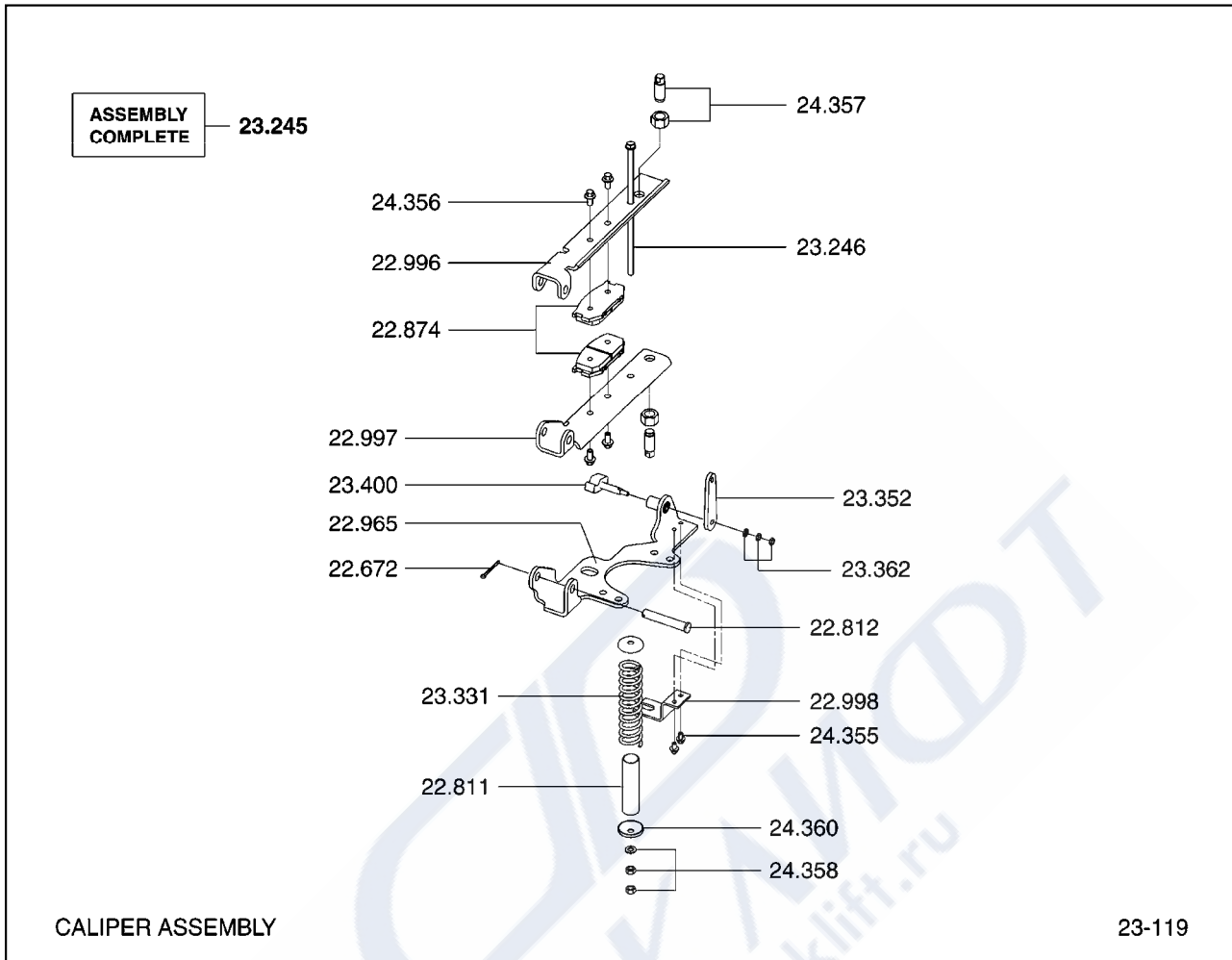
22-048

- | | |
|--------|--|
| 35.052 | BEARING, OUTER LOAD WHEEL
베어링 |
| 35.053 | BEARING, INNER LOAD WHEEL
베어링 |
| 35.054 | RETAINER, OUTER LOAD WHEEL BEARING RETAINING
리테이너 |
| 35.067 | COVER, LOAD WHEEL DUST
커버 |
| 35.168 | TIRE & WHEEL ASSEMBLY, LOAD WHEEL
타이어&휠 |



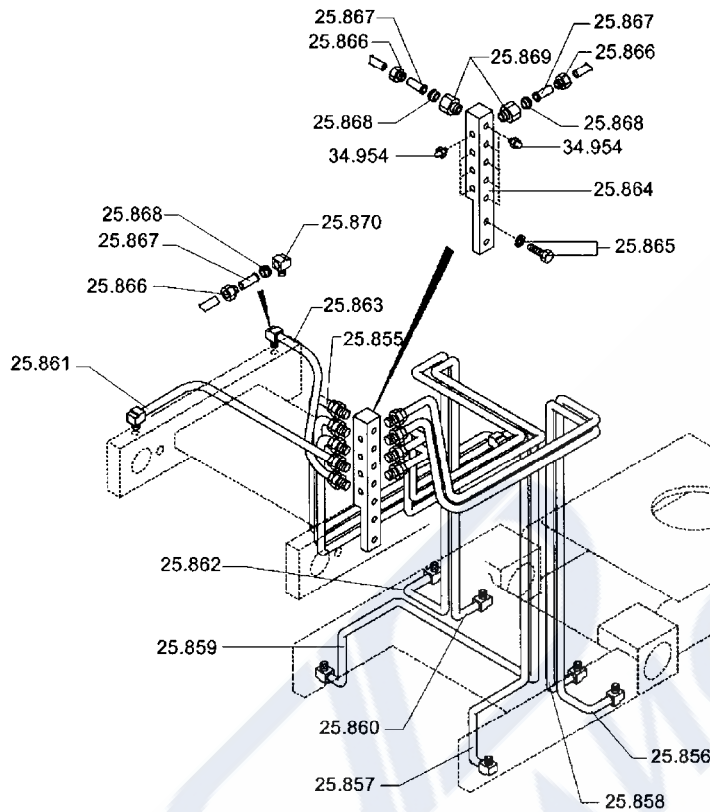
- | | |
|--------|---|
| 22.027 | LOCK, BRAKE PEDAL LINKAGE ROD END
로크 |
| 22.578 | WASHER, BRAKE ACTUATING PUSH ROD CLEVIS PIN
와셔 |
| 23.100 | PEDAL, BRAKE
페달 |
| 23.145 | FASTENER, BRAKE PEDAL SHAFT
패스너 |
| 23.245 | BRAKE ASSEMBLY, LH DRIVE WHEEL
브레이크 |
| 23.256 | DISK OR DRUM, DRIVE WHEEL BRAKE
디스크 |
| 23.315 | KEY, BRAKE DRUM
키 |
| 23.323 | ROD, BRAKE ADJUSTING
로드 |
| 23.328 | SHAFT, BRAKE OPERATING CAM
샤프트 |

23.376	BOLT, PARKING BRAKE MOUNTING BRACKET 볼트
23.434	BRACKET, BRAKE PEDAL PIVOT 브라켓
23.511	BRACKET, BRAKE ADJUSTING MOUNTING 브라켓
23.535	ROD END, BRAKE PEDAL 로드엔드
23.536	ROD, BRAKE PEDAL 로드
23.540	FASTENER, BRAKE LINKAGE PIVOT ARM 패스너
23.995	FASTENER, BRAKE PEDAL 패스너
44.362	PIN, CLEVIS 핀
92.243	NUT, BRAKE PEDAL PAD FASTENER 너트
92.856	WASHER, BRAKE DISC FASTENER 와셔
92.857	NUT, BRAKE DISC FASTENER 너트



22.672	PIN, BRAKE ASSEMBLY FASTENER SECURITY 핀
22.811	BUSHING, BRAKE ASSEMBLY 부싱
22.812	PIN, PARKING BRAKE ACTUATING PIN 핀
22.874	PAD, BRAKE PEDAL 패드
22.965	BODY ASSEMBLY-MAGNET, BRAKE 바디
22.996	LEVER, BRAKE ASSY LEVER-UPPER 레버
22.997	LEVER, BRAKE ASSY LEVER-LOWER 레버
22.998	SPRING PLATE, BRAKE ASSY SPRING PLATE 스프링플레이트
23.245	BRAKE ASSEMBLY, LH DRIVE WHEEL 브레이크

23.246	FASTENER, BRAKE ASSEMBLY 패스너
23.331	SPRING, BRAKE ACTUATING 스프링
23.352	LEVER, PARKING BRAKE CAM 레버
23.362	FASTENER, PARKING BRAKE CAM LEVER TO LINK 패스너
23.400	CAM, PARKING BRAKE 캠
24.355	BOLT, BRAKE ASSY SPRING PLATE MOUNTING 볼트
24.356	BOLT, BRAKE ASSY LEVER MOUNTING 볼트
24.357	BOLT, BRAKE ASSY LEVER MOUNTING-UPPER 볼트
24.358	BOLT, BRAKE ASSY LEVER MOUNTING 볼트
24.360	CAP, BRAKE ASSY SPRING CAP 캡

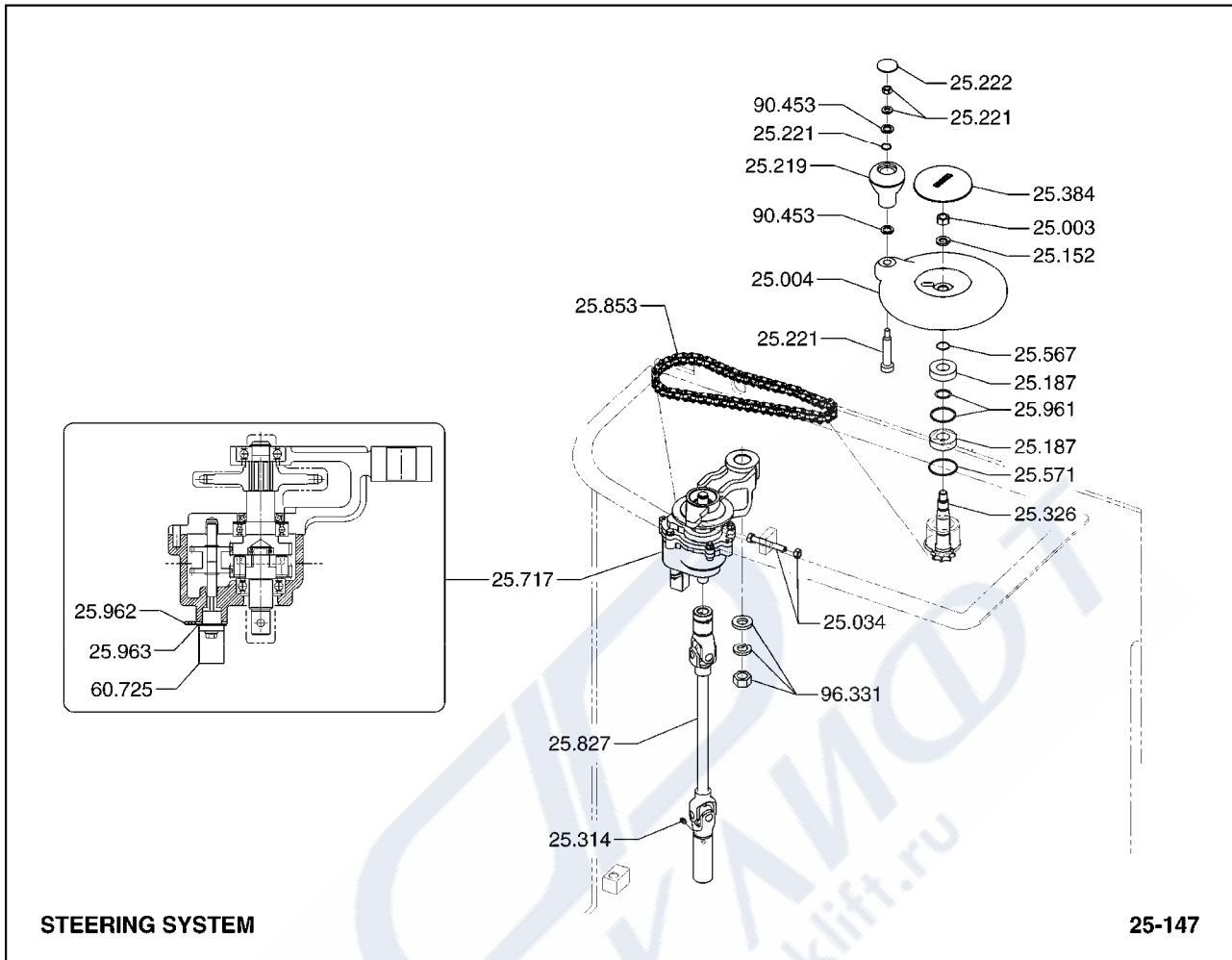


LUBE SYSTEM

25-101

- 25.855 LINE-LUB, CONTROL LINKAGE LUBRICANT LINK UPPER
라인
- 25.856 LINE, CONTROL LINKAGE LUBRICANT LINE LINK UNDER
라인
- 25.857 LINE-LUB, CONTROL LINKAGE DRIVE SUPPORT
라인
- 25.858 LINE-LUB, CONTROL LINKAGE ARM CASTER
라인
- 25.859 LINE-LUB, CONTROL LINKAGE LINK UPPER
라인
- 25.860 LINE-LUB, CONTROL LINKAGE ARM CASTER
라인
- 25.861 LINE-LUB, CONTROL LINKAGE DRIVE SUPPORT
라인
- 25.862 LINE-LUB, CONTROL LINKAGE LINK UNDER
라인
- 25.863 LINE-LUB, CONTROL LINKAGE DRIVE SUPPORT
라인

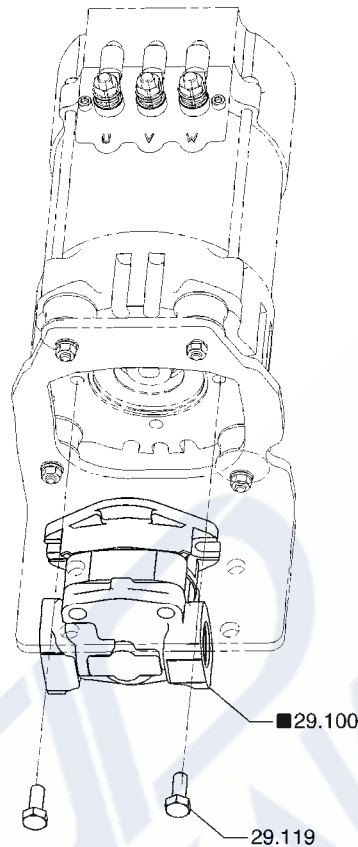
25.864	BRACKET, CONTROL LINKAGE LUB LINE MTG 브라켓
25.865	FASTENER, LUB LINE BRACKET MTG 패스너
25.866	NIPPLE, CONTROL LINKAGE LUBRICANT LINE 니플
25.867	RING-INSERT, CONTROL LINKAGE LUBRICANT LINE 링
25.868	SLEEVE, CONTROL LINKAGE LUBRICANT LINE 슬리브
25.869	NIPPLE, CONTROL LINKAGE LUBRICANT LINE 니플
25.870	ELBOW, CONTROL LINKAGE LUBRICANT LINE 엘보우
34.954	PLUG, GREASE 플러그



25.003	NUT, HANDWHEEL 너트
25.004	HAND WHEEL, STEERING GEAR 핸드휠
25.034	FASTENER, STEERING GEAR ATTACHING 패스너
25.152	WASHER, HAND WHEEL 와셔
25.187	BEARING, STEER SHAFT 베어링
25.219	KNOB, STEERING HAND WHEEL SPINNER 노브
25.221	FASTENER, STEERING SPINNER KNOB 패스너
25.222	CAP, STEERING SPINNER KNOB 캡
25.314	FITTING-LUB, STEERING UNIVERSAL JOINT 피팅

25.326	SPROCKET, STEER DRIVEN CHAIN DRIVE 스프로켓
25.384	COVER, STEER HANDWHEEL NUT 커버
25.567	RETAINER, STEERING DRIVEN CHAIN SPROCKET 리테이너
25.571	RETAINER, STEERING DRIVEN CHAIN SPROCKET 리테이너
25.717	SENSOR, STEER 센서
25.827	SHAFT,STEERING 샤프트
25.853	CHAIN, POWER STEERING 체인
25.961	SHIM, STEERING WHEEL MOUNTING 십
25.962	SPACER, STEERING INTERLOCK POTENTIOMETER 스페이서
25.963	SHIM, STEERING INTERLOCK POTENTIOMETER 십
60.725	POTENTIOMETER, STEERING INTERLOCK 포텐션메터
90.453	WASHER, STEERING SPINNER KNOB FASTENER 와셔
96.331	FASTENER, STEER SENSOR 패스너

■ INDICATES AN ASSEMBLY
HAVING SERVICEABLE
COMPONENTS ILLUSTRATED
ELSEWHERE



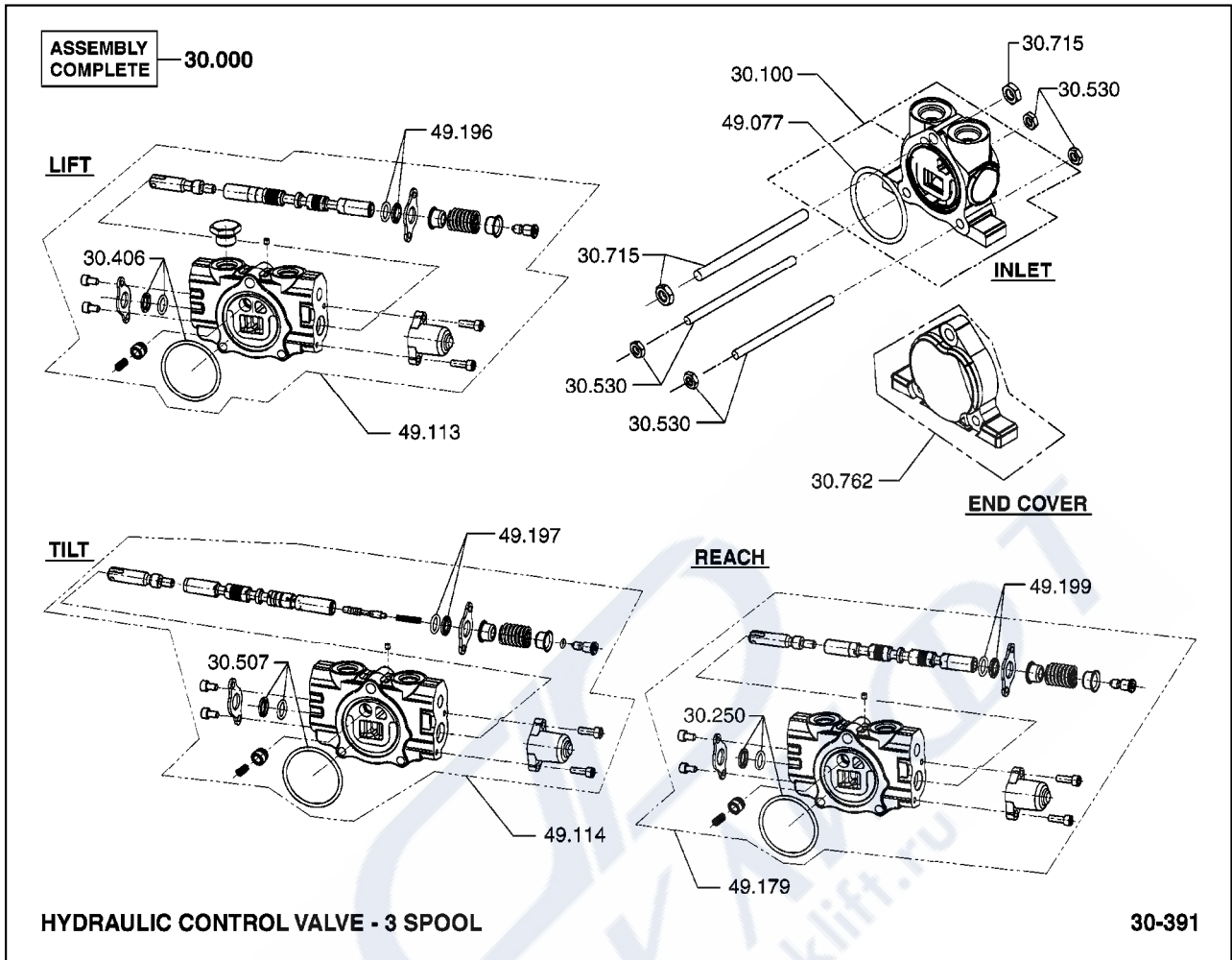
HYDRAULIC PUMP MOUNTING

29-005

- | | |
|--------|--------------------------------|
| 29.100 | PUMP ASSEMBLY, HYDRAULIC
펌프 |
| 29.119 | FASTENER, PUMP HOUSING
패스너 |

29.886	GAUGE, HYDRAULIC SUMP LEVEL 게이지
97.259	FASTENER, SUMP RETURN FLANGE 패스너

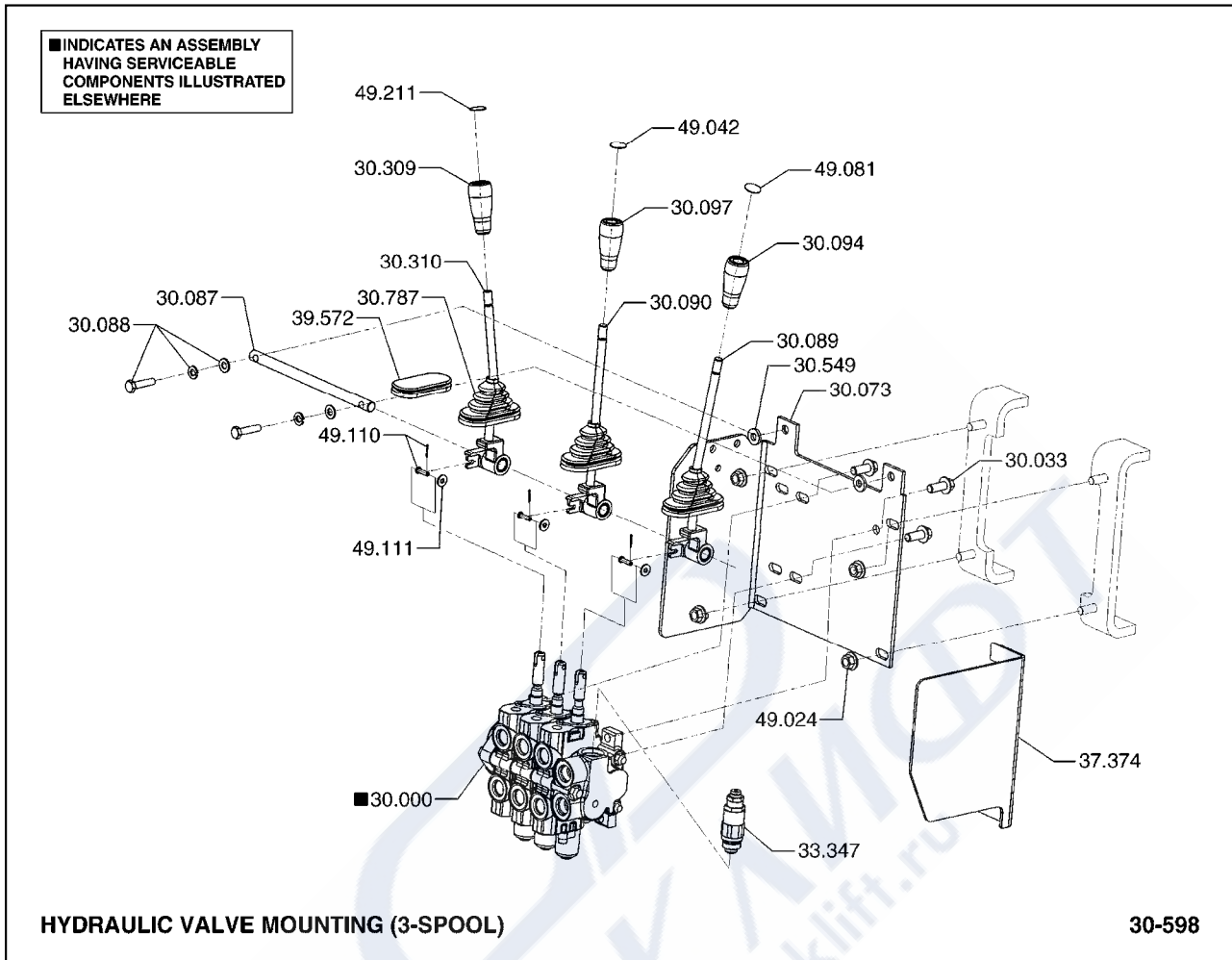




- | | |
|--------|--|
| 30.000 | VALVE ASSEMBLY, HYDRAULIC
밸브 |
| 30.100 | INLET SECTION, HYDRAULIC VALVE
인렛섹션 |
| 30.250 | SEAL KIT, HYDRAULIC VALVE SECTION (AUX)
씰키트 |
| 30.406 | SEAL KIT, HYDRAULIC VALVE (LIFT)
씰키트 |
| 30.507 | SEAL KIT, HYDRAULIC VALVE (TILT)
씰키트 |
| 30.530 | FASTENER, VALVE THRU
패스너 |
| 30.715 | FASTENER, VALVE THRU
패스너 |
| 30.762 | END COVER, HYDRAULIC VALVE
엔드커버 |
| 49.077 | SEAL, MAIN HYDRAULIC VALVE INLET SECTION
씰 |

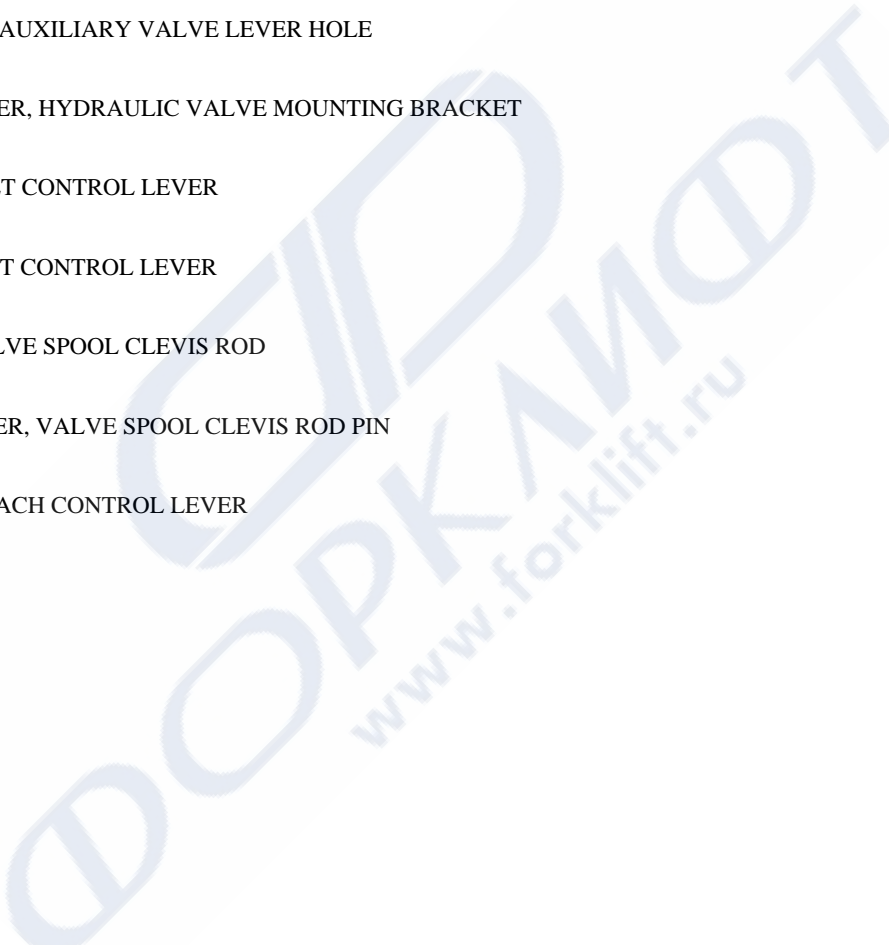
49.113	LIFT SECTION, HYDRAULIC VALVE 리프트섹션
49.114	TILT SECTION, HYDRAULIC VALVE 틸트섹션
49.179	AUX SECTION, HYDRAULIC VALVE 보조섹션
49.196	SPOOL SEAL KIT, LIFT SECTION 스풀씰키트
49.197	SPOOL SEAL KIT, TILT SECTION 스풀씰키트
49.199	SPOOL SEAL KIT, AUX SECTION 스풀씰키트

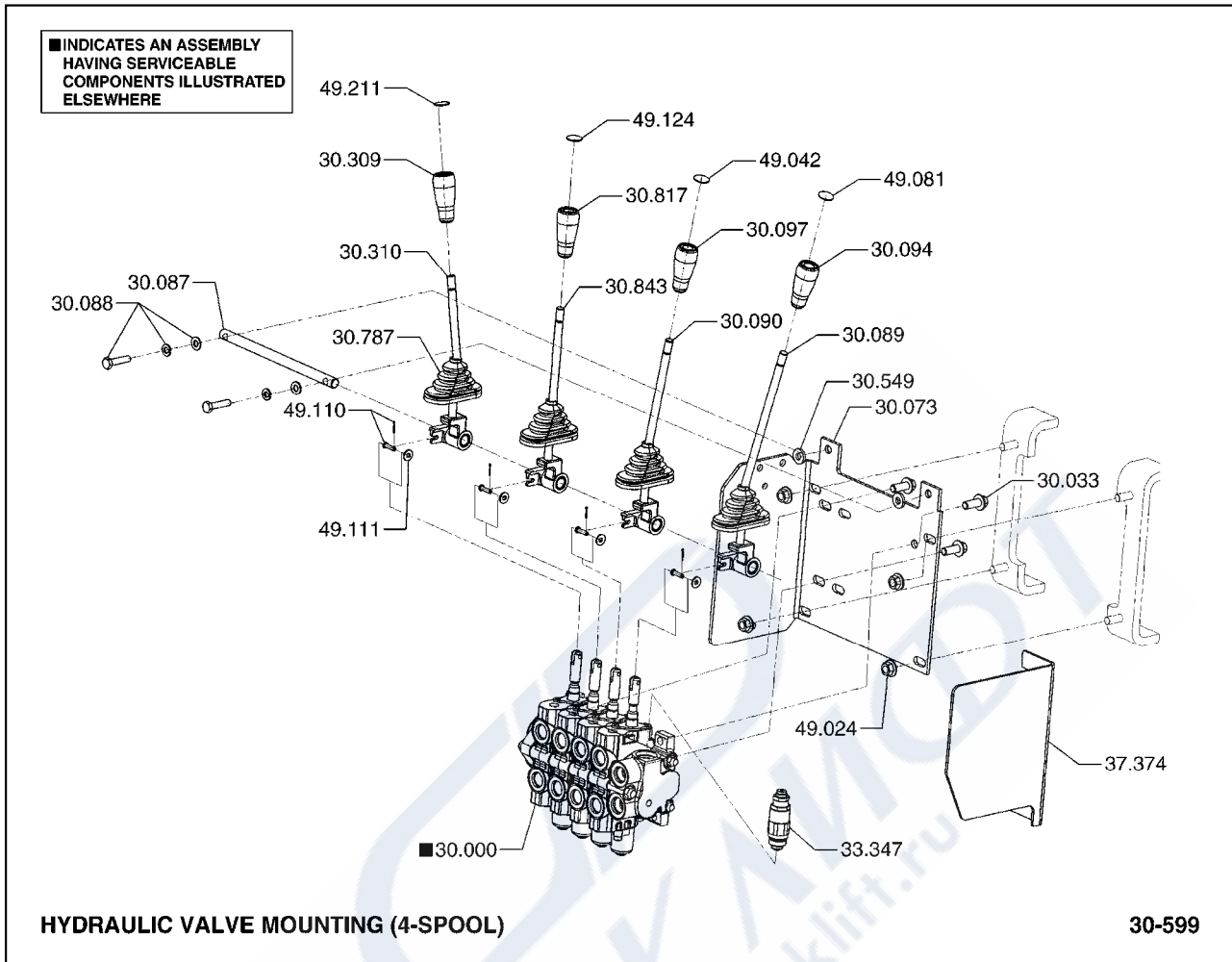
ООО «ФОРКЛИФТ»
www.forklift.ru



- | | |
|--------|--|
| 30.000 | VALVE ASSEMBLY, HYDRAULIC
밸브 |
| 30.033 | FASTENER, HYDRAULIC VALVE MOUNTING
패스너 |
| 30.073 | BRACKET, HYDRAULIC VALVE MOUNTING
브라켓 |
| 30.087 | PIN, VALVE CONTROL LEVER PIVOT
핀 |
| 30.088 | FASTENER, VALVE CONTROL LEVER PIVOT PIN
패스너 |
| 30.089 | LEVER, LIFT CONTROL
레버 |
| 30.090 | LEVER, TILT CONTROL
레버 |
| 30.094 | KNOB, LIFT CONTROL LEVER
노브 |
| 30.097 | KNOB, TILT CONTROL LEVER
노브 |

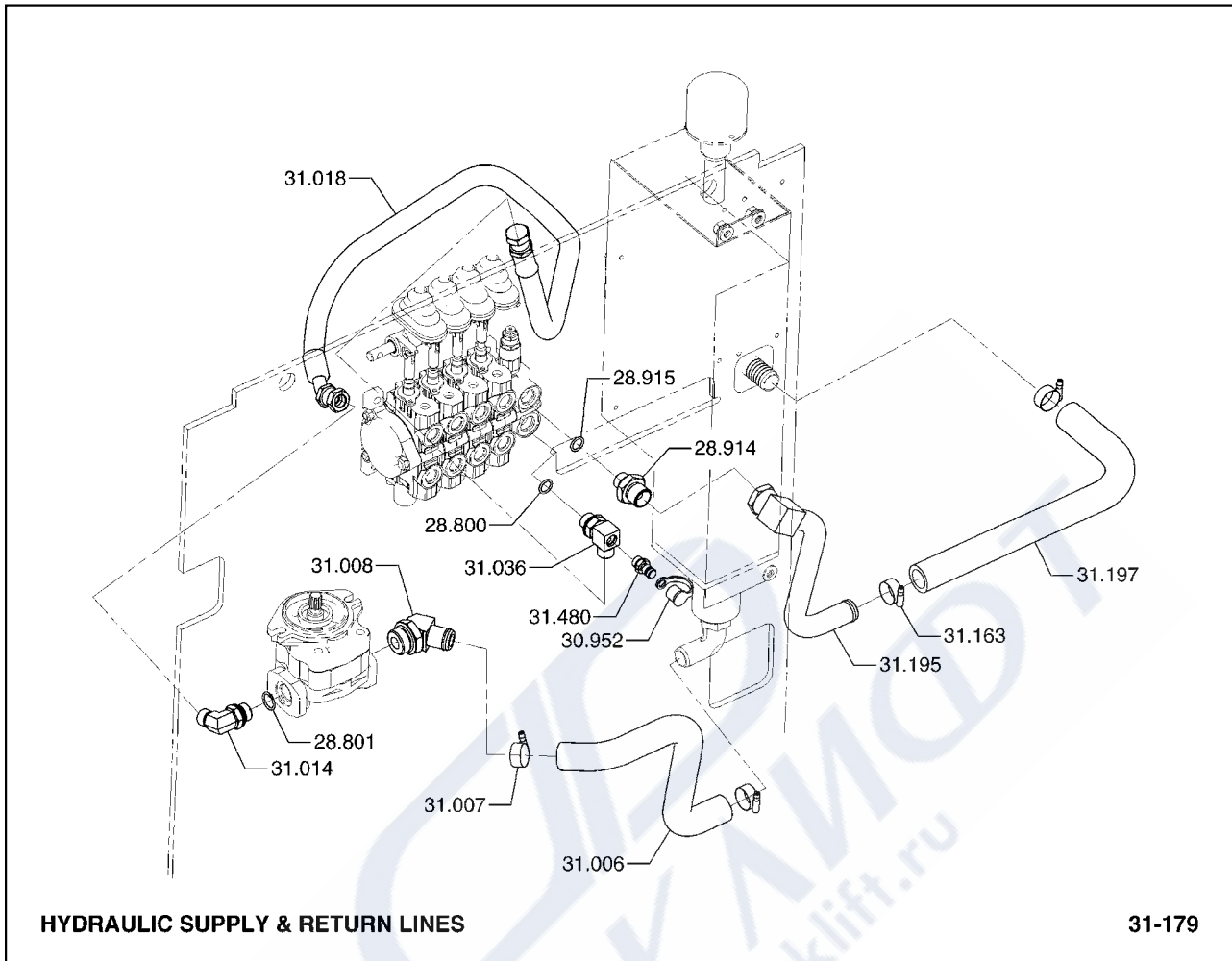
30.309	KNOB, REACH CONTROL LEVER 노브
30.310	LEVER, REACH CONTROL 레버
30.549	SPACER, CONTROL LEVER PIVOT LINK 스페이서
30.787	BOOT, VALVE CONTROL LEVER 부트
33.347	RELIEF VALVE, LIFT LINE CHECK VALVE 릴리프밸브
37.374	COVER, HYDRAULIC VALVE 커버
39.572	COVER, AUXILIARY VALVE LEVER HOLE 커버
49.024	FASTENER, HYDRAULIC VALVE MOUNTING BRACKET 패스너
49.042	CAP, TILT CONTROL LEVER 캡
49.081	CAP, LIFT CONTROL LEVER 캡
49.110	PIN, VALVE SPOOL CLEVIS ROD 핀
49.111	RETAINER, VALVE SPOOL CLEVIS ROD PIN 리테이너
49.211	CAP, REACH CONTROL LEVER 캡





30.000	VALVE ASSEMBLY, HYDRAULIC 밸브
30.033	FASTENER, HYDRAULIC VALVE MOUNTING 패스너
30.073	BRACKET, HYDRAULIC VALVE MOUNTING 브라켓
30.087	PIN, VALVE CONTROL LEVER PIVOT 핀
30.088	FASTENER, VALVE CONTROL LEVER PIVOT PIN 패스너
30.089	LEVER, LIFT CONTROL 레버
30.090	LEVER, TILT CONTROL 레버
30.094	KNOB, LIFT CONTROL LEVER 노브
30.097	KNOB, TILT CONTROL LEVER 노브

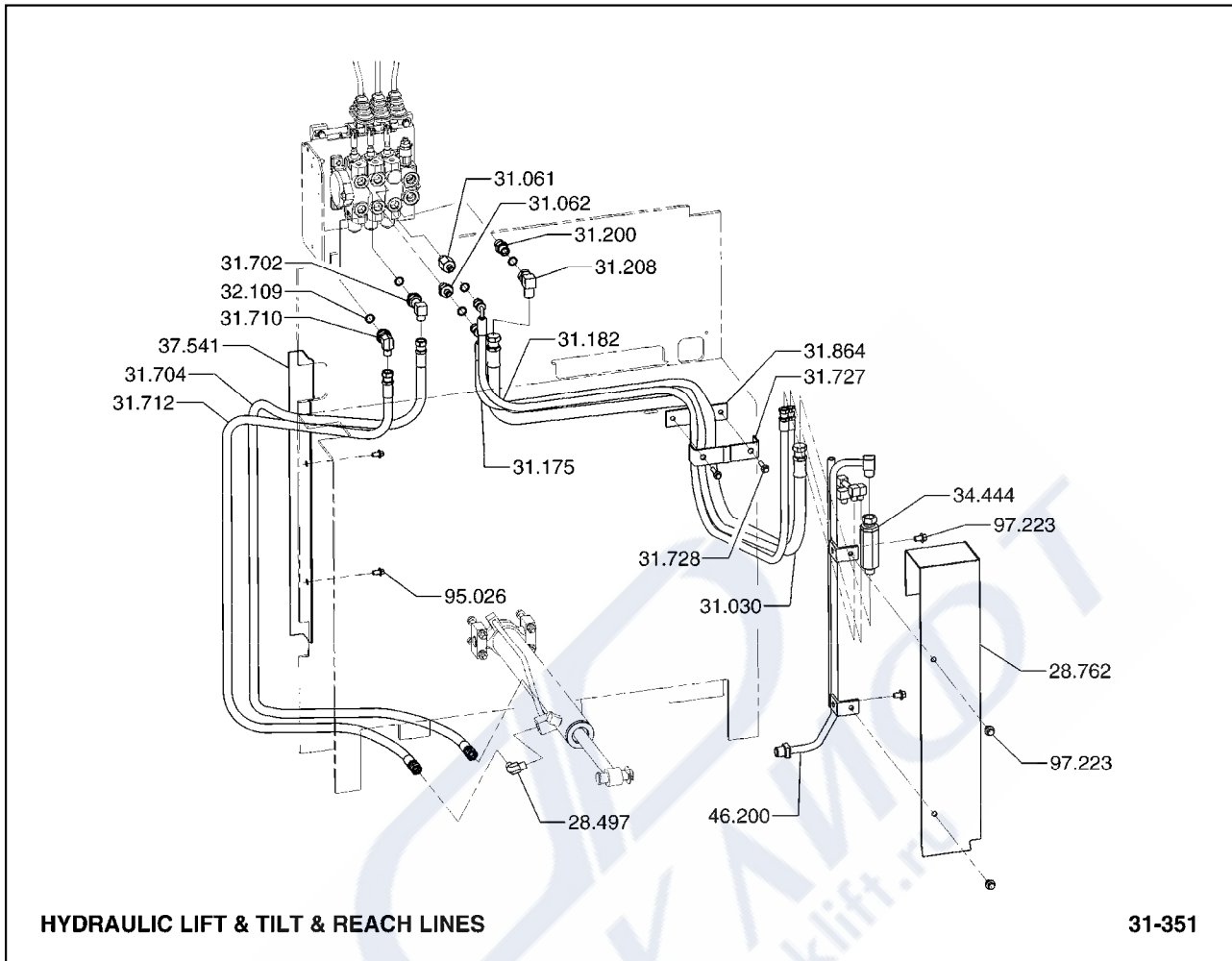
30.309	KNOB, REACH CONTROL LEVER 노브
30.310	LEVER, REACH CONTROL 레버
30.549	SPACER, CONTROL LEVER PIVOT LINK 스페이서
30.787	BOOT, VALVE CONTROL LEVER 부트
30.817	KNOB, AUXILIARY VALVE CONTROL LEVER 노브
30.843	LEVER, AUXILIARY VALVE CONTROL (1ST AUX) 레버
33.347	RELIEF VALVE, LIFT LINE CHECK VALVE 릴리프밸브
37.374	COVER, HYDRAULIC VALVE 커버
49.024	FASTENER, HYDRAULIC VALVE MOUNTING BRACKET 패스너
49.042	CAP, TILT CONTROL LEVER 캡
49.081	CAP, LIFT CONTROL LEVER 캡
49.110	PIN, VALVE SPOOL CLEVIS ROD 핀
49.111	RETAINER, VALVE SPOOL CLEVIS ROD PIN 리테이너
49.124	CAP, AUXILIARY CONTROL LEVER 캡
49.211	CAP, REACH CONTROL LEVER 캡



28.800	SEAL, MAIN VALVE INLET PORT FITTING 씰
28.801	SEAL, HYD PUMP OUTLET PORT FITTING 씰
28.914	FITTING, VALVE SUMP RETURN PORT 피팅
28.915	SEAL, VALVE SUMP RETURN PORT FITTING 씰
30.952	DUST CAP, PRESSURE GAUGE PORT FITTING 더스트캡
31.006	LINE, PUMP INLET 라인
31.007	CLAMP, PUMP INLET LINE 클램프
31.008	FITTING, PUMP INLET 피팅
31.014	FITTING, PUMP OUTLET 피팅


31.018	LINE, PUMP OUTLET 라인
31.036	FITTING, MAIN VALVE INLET PORT 피팅
31.163	CLAMP, SUMP RETURN LINE 클램프
31.195	LINE, MAIN VALVE TO SUMP RETURN 라인
31.197	LINE, MAIN VALVE TO SUMP RETURN 라인
31.480	PLUG, PRESSURE GAUGE PORT 플러그

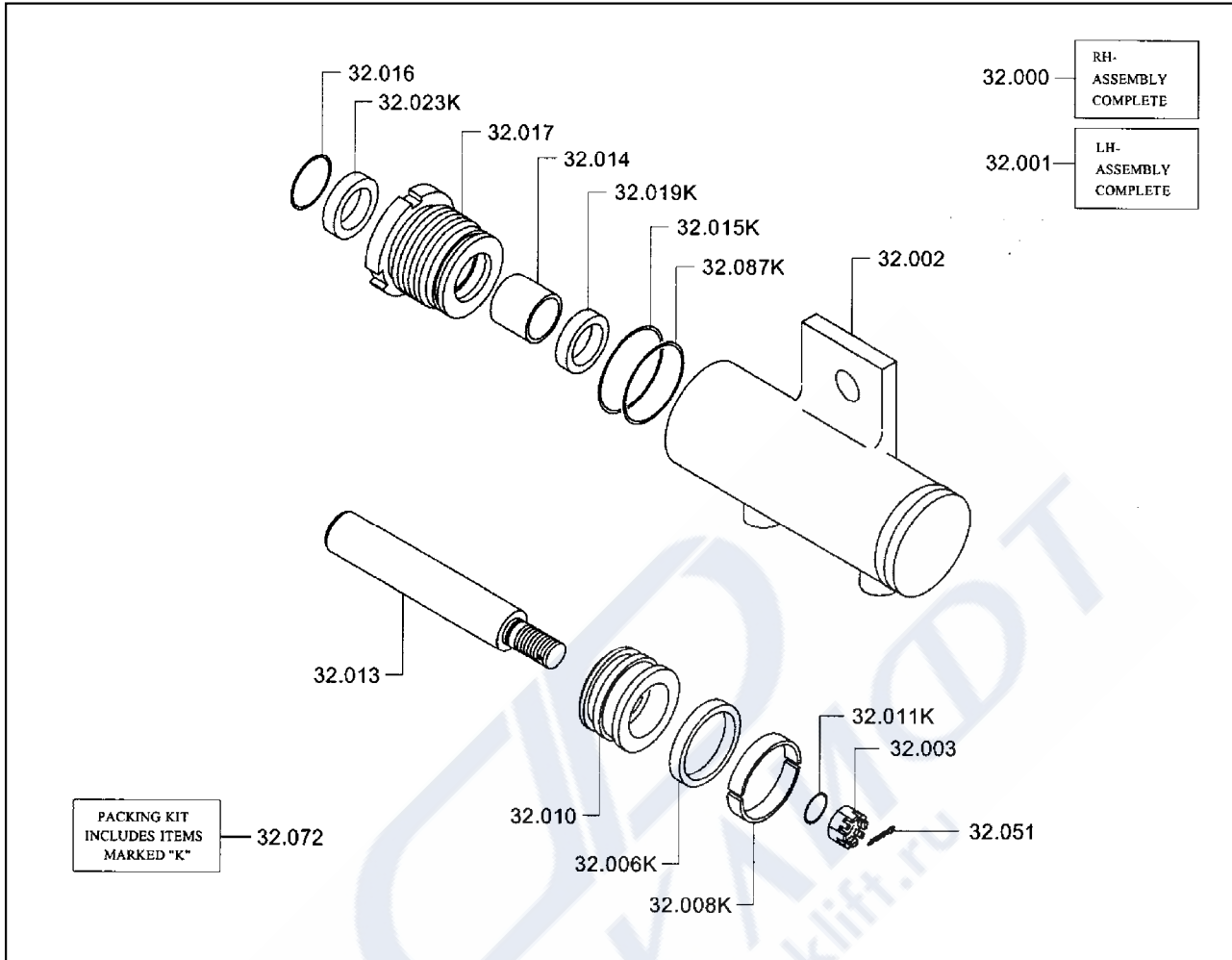




- | | |
|--------|---|
| 28.497 | FITTING, VALVE REACH LINE
피팅 |
| 28.762 | PROTECTOR, HYDRAULIC LINE
보호장치 |
| 31.030 | LINE, VALVE TO LIFT CYLINDER
라인 |
| 31.061 | FITTING, VALVE TILT PORT "A"
피팅 |
| 31.062 | FITTING, VALVE TILT PORT "B"
피팅 |
| 31.175 | LINE, VALVE TILT PORT "B"
라인 |
| 31.182 | LINE, VALVE TILT PORT "A"
라인 |
| 31.200 | FITTING, MAIN VALVE LIFT PORT
피팅 |
| 31.208 | FITTING, MAIN VALVE LIFT PORT (LOWER)
피팅 |

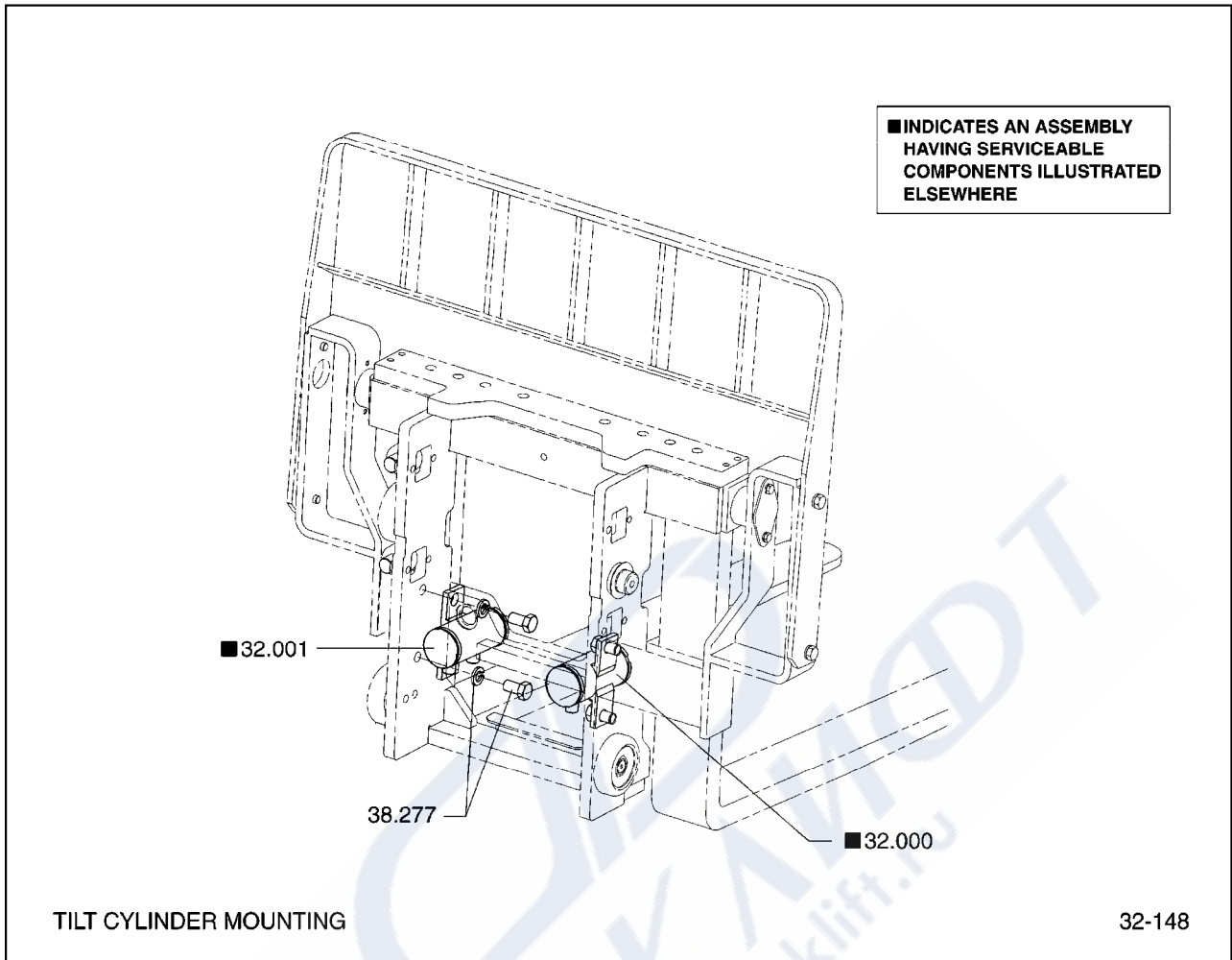
31.702	FITTING, VALVE REACH PORT "A" 피팅
31.704	LINE, VALVE REACH PORT "A" 라인
31.710	FITTING, VALVE REACH PORT "B" 피팅
31.712	LINE, VALVE REACH PORT "B" 라인
31.727	CLAMP, HOSE REEL LINES 클램프
31.728	FASTENER, HOSE REEL LINES CLAMP 패스너
31.864	CUSHION, HOSE REEL LINES 쿠션
32.109	SEAL, MAIN VALVE OUTLET FITTING 씰
34.444	VALVE ASSEMBLY, LIFT CYLINDER FLOW CONTROL 밸브
37.541	COVER, HYDRAULIC LINES 커버
46.200	PIPE ASSEMBLY, HYDRAULIC LINES 파이프
95.026	FASTENER, HYDRAULIC LINES COVER 패스너
97.223	FASTENER, HYDRAULIC LINE PROTECTOR 패스너



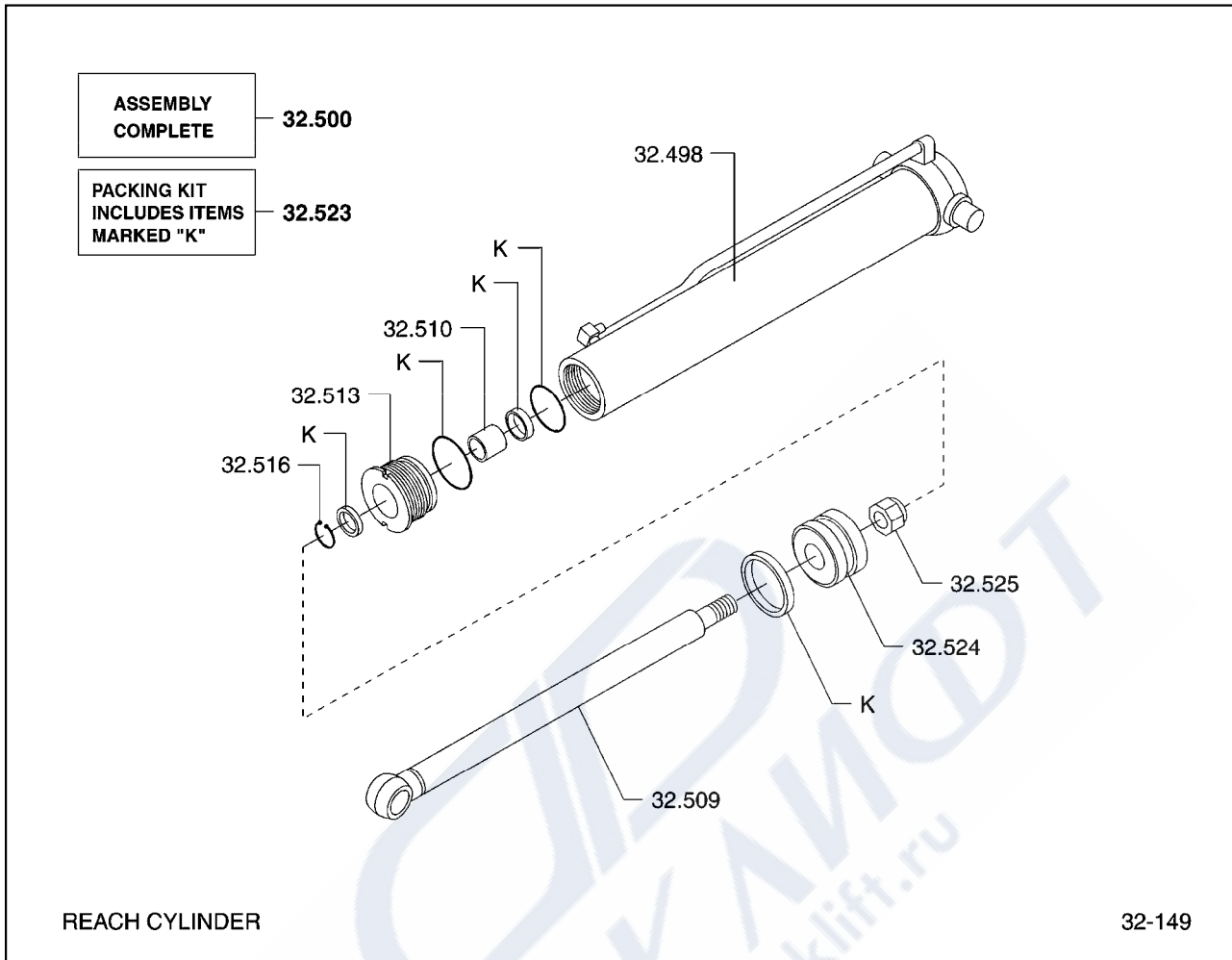


- | | |
|--------|--|
| 32.000 | CYLINDER ASSEMBLY, TILT
실린더 |
| 32.001 | TILT CYLINDER ASSEMBLY (LH)
틸트실린더 |
| 32.002 | CYLINDER ASSEMBLY, WELDED
실린더 |
| 32.003 | FASTENER, TILT CYLINDER PISTON & FOLLOWER
패스너 |
| 32.006 | RING, TILT CYLINDER PISTON U-CUP BACK UP
링 |
| 32.008 | RING, TILT CYLINDER PISTON WEAR
링 |
| 32.010 | PISTON, TILT CYLINDER
피스톤 |
| 32.011 | SEAL, TILT CYLINDER PISTON ROD
씰 |
| 32.013 | ROD, TILT CYLINDER PISTON
로드 |

32.014	SPACER, TILT CYLINDER PISTON 스페이서
32.015	SEAL, TILT CYLINDER GLAND 씰
32.016	RING, TILT CYLINDER GLAND O-RING BACKUP 링
32.017	GLAND, TILT CYLINDER 그랜드
32.019	PACKING, TILT CYLINDER GLAND 패킹
32.023	WIPER, TILT CYLINDER ROD 와이퍼
32.051	LOCK, TILT CYLINDER GLAND 로크
32.072	PACKING KIT, TILT CYLINDER 패킹키트
32.087	SEAL, TILT CYLINDER BARREL 씰



32.000	CYLINDER ASSEMBLY, TILT 실린더
32.001	TILT CYLINDER ASSEMBLY (LH) 틸트실린더
38.277	FASTENER, FRAME TILT CYLINDER MOUNTING 패스너

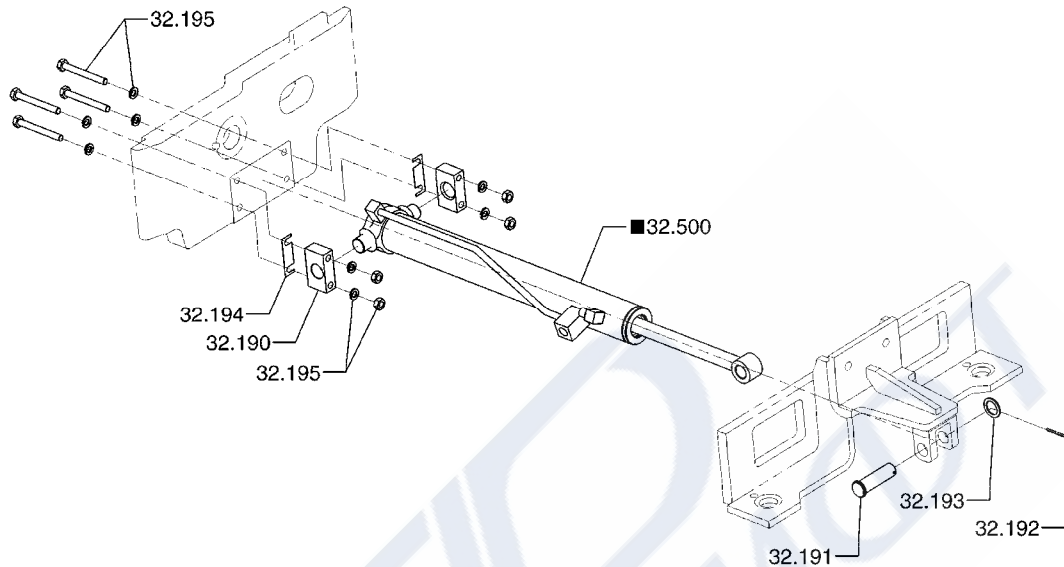


REACH CYLINDER

32-149

- | | |
|--------|---|
| 32.498 | BARREL, REACH CYLINDER (RH)
배럴 |
| 32.500 | CYLINDER ASSEMBLY, RH REACH
실린더 |
| 32.509 | PISTON & ROD ASSEMBLY, REACH CYLINDER
피스톤&로드 |
| 32.510 | SPACER, REACH CYLINDER PISTON ROD
스페이서 |
| 32.513 | GLAND, REACH CYLINDER
그랜드 |
| 32.516 | LOCK, REACH CYLINDER GLAND RETAINER
로크 |
| 32.523 | PACKING KIT, REACH CYLINDER
패킹키트 |
| 32.524 | PISTON, REACH CYLINDER
피스톤 |
| 32.525 | NUT, REACH CYLINDER PISTON
너트 |

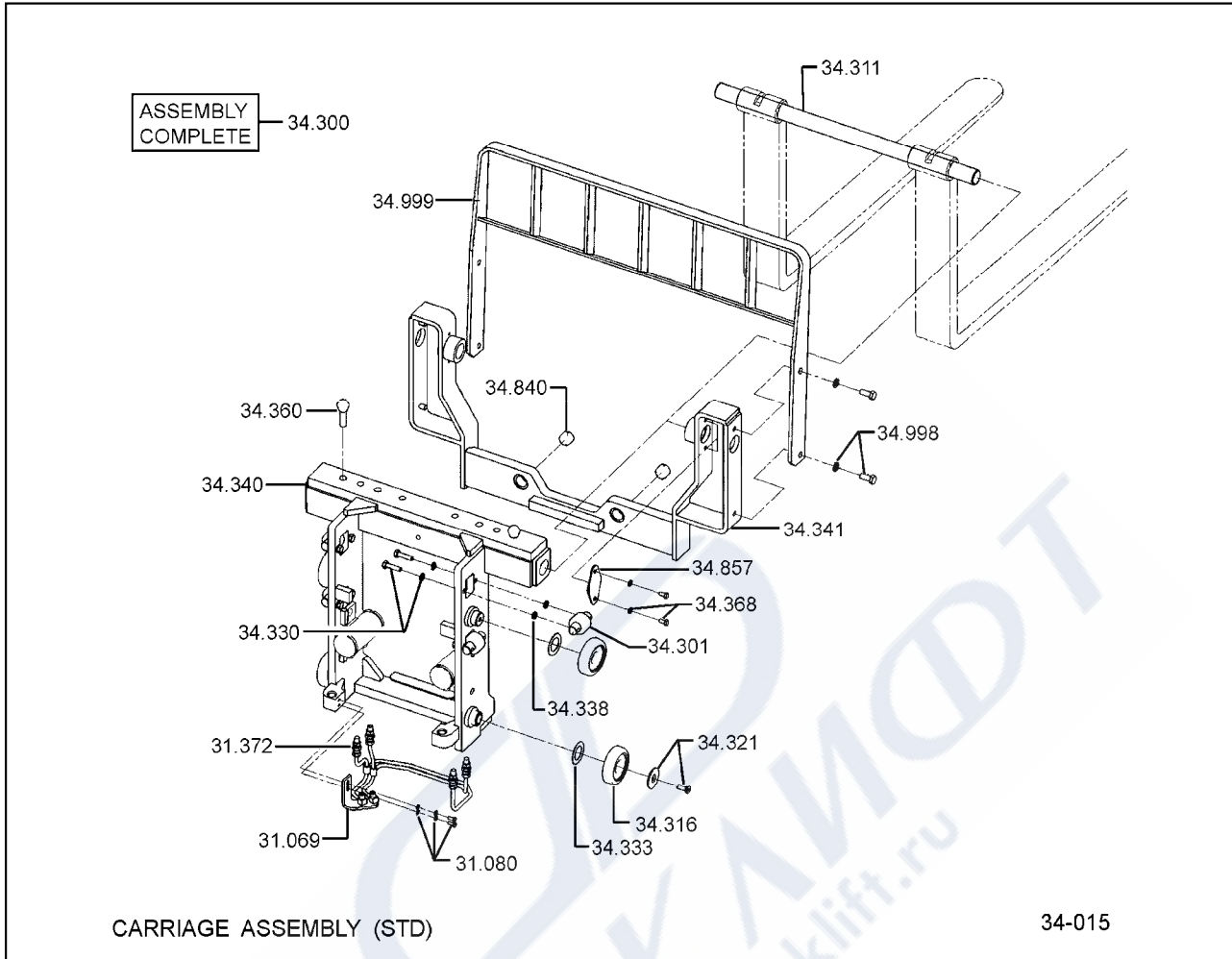
■ INDICATES AN ASSEMBLY
HAVING SERVICEABLE
COMPONENTS ILLUSTRATED
ELSEWHERE



REACH CYLINDER MOUNTING

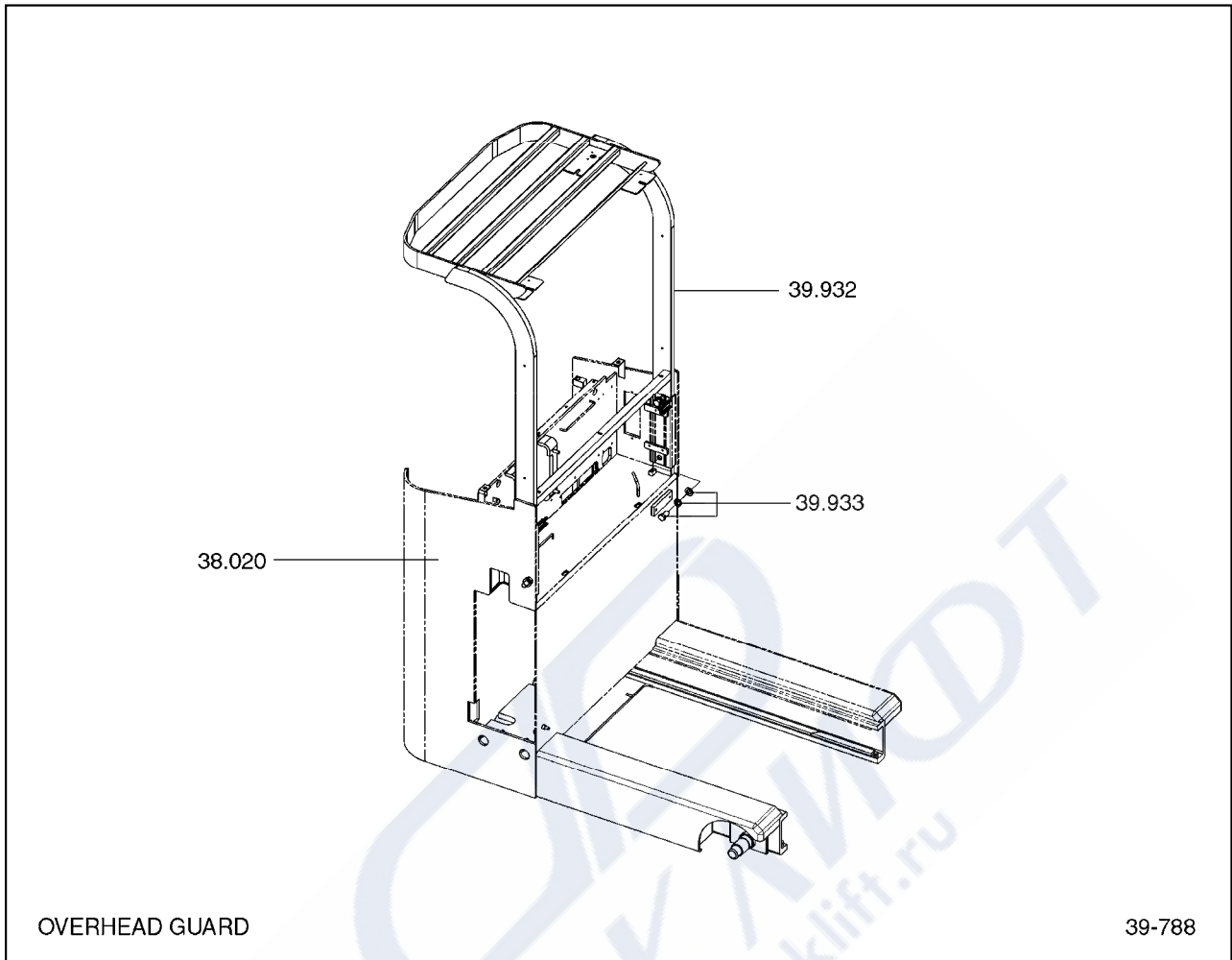
32-172

32.190	BRACKET, REACH CYLINDER MOUNTING 브라켓
32.191	PIN, REACH CYLINDER ROD END 핀
32.192	RETAINER, REACH CYLINDER ROD END PIN 리테이너
32.193	SPACER, REACH CYLINDER ROD END PIN 스페이서
32.194	SHIM, REACH CYLINDER MOUNTING 심
32.195	FASTENER, REACH CYLINDER MOUNTING 패스너
32.500	CYLINDER ASSEMBLY, RH REACH 실린더

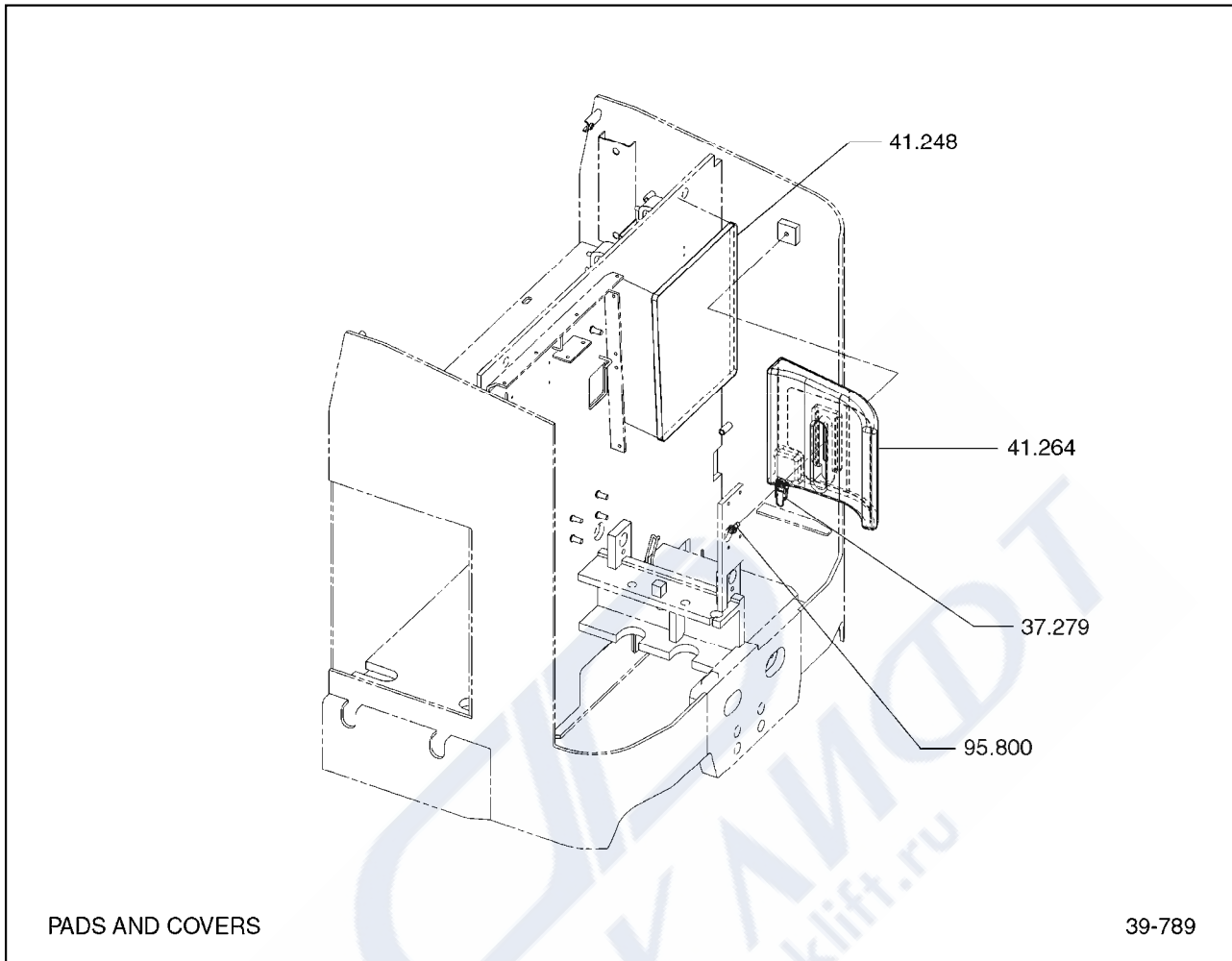


31.069	LINE, TILT CYLINDER CROSS 라인
31.080	FASTENER, TILT CYLINDER CROSS LINE 패스너
31.372	FITTING, TILT CYLINDER ANCHOR PORT LINE 피팅
34.300	ASSEMBLY, FORK BARS & CARRIAGE 캐리지
34.301	ROLLER, CARRIAGE OUTER THRUST 롤러
34.311	ASSEMBLY, FORK HANGER 포크행거
34.316	ROLLER, CARRIAGE 롤러
34.321	FASTENER, CARRIAGE ROLLER SHAFT 패스너
34.330	FASTENER, CARRIAGE CAPTIVE ROLLER RETAINER 패스너

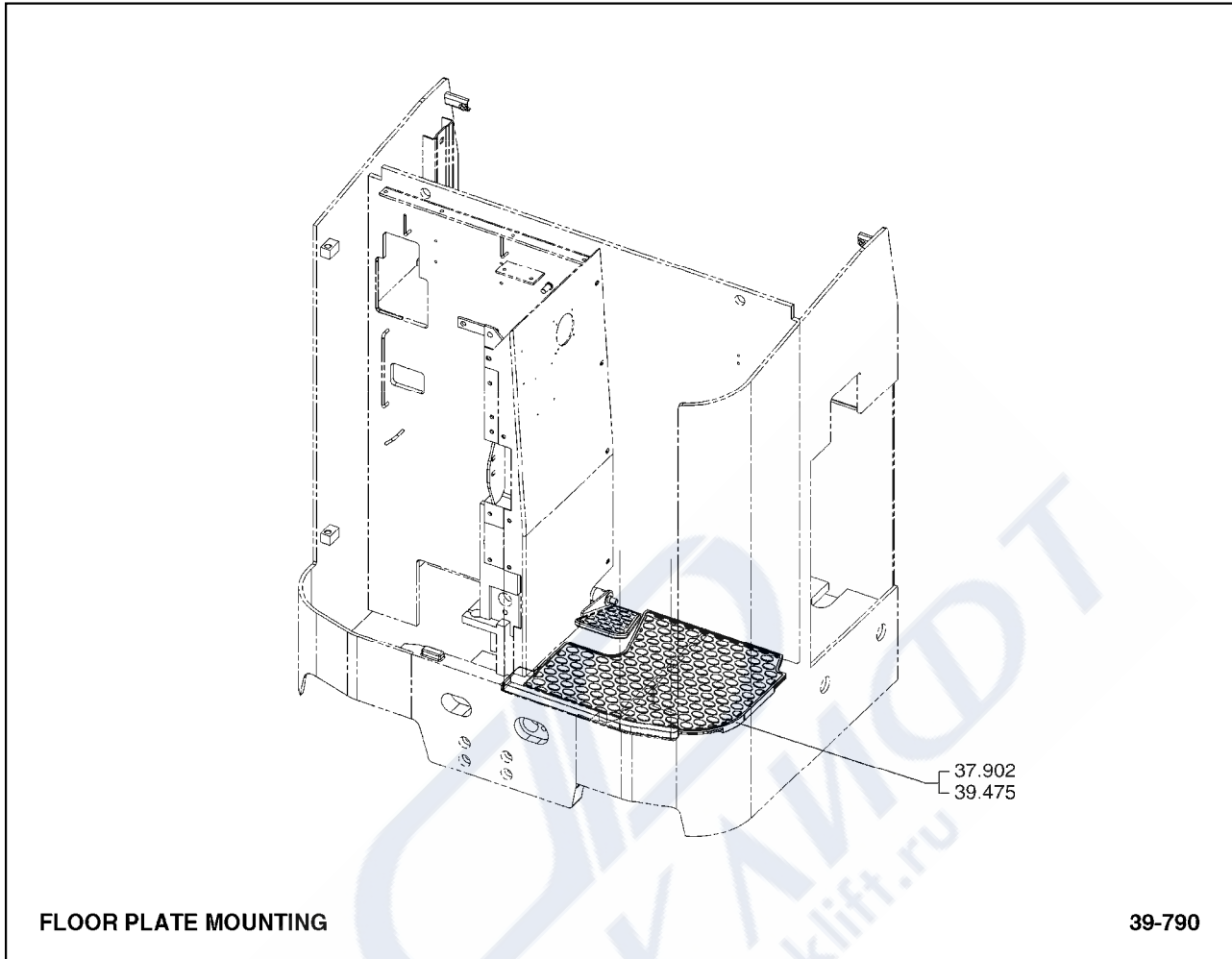
34.333	SHIM, CARRIAGE ROLLER 심
34.338	SPACER, CARRIAGE ROLLER 스페이서
34.340	CARRIAGE WELDED ASSEMBLY 캐리지용접물
34.341	FORK BAR WELDED ASSEMBLY 포크바 용접물
34.360	PIN, FORK LOCATING 핀
34.368	FASTENER, FORK LOCATING BAR 패스너
34.840	ADJUSTOR, FORK TILT 어드저스터
34.857	COVER, CARRIAGE STABILIZING GEAR (RH) 커버
34.998	FASTENER, LOAD SAFETY BACK REST 패스너
34.999	BACK REST, LOAD SAFETY-COMPLETE 백레스트



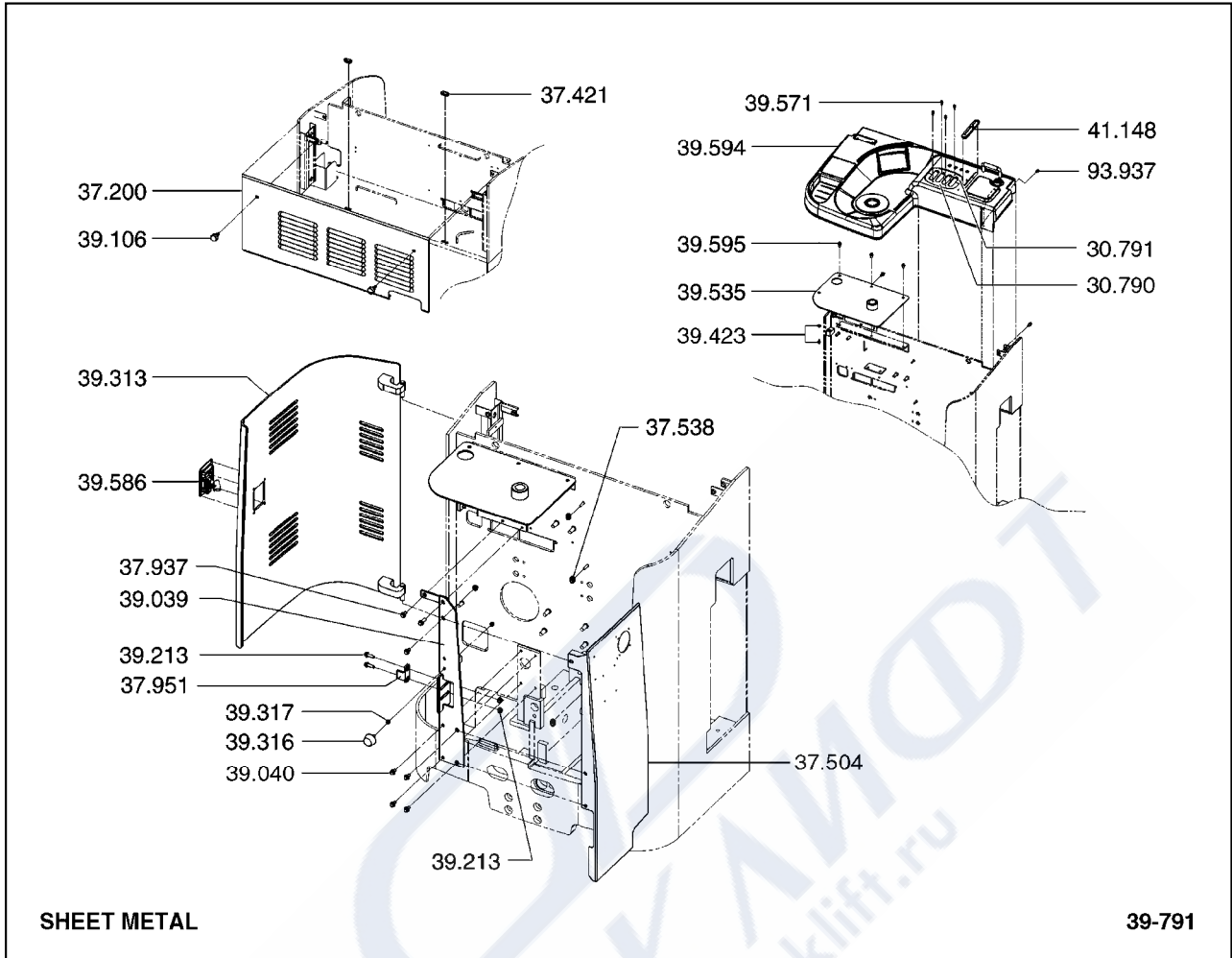
- 39.932 GUARD, OVERHEAD
가드
- 39.933 FASTENER, OVERHEAD GUARD
패스너



- | | |
|--------|---------------------------------|
| 37.279 | PLATE, FRAME SIDE
플레이트 |
| 41.248 | SOUND SEAL, FRAME BELLY
사운드씰 |
| 41.264 | SOUND SEAL, FRAME RH
사운드씰 |
| 95.800 | FASTENER, SOUND SEAL
패스너 |

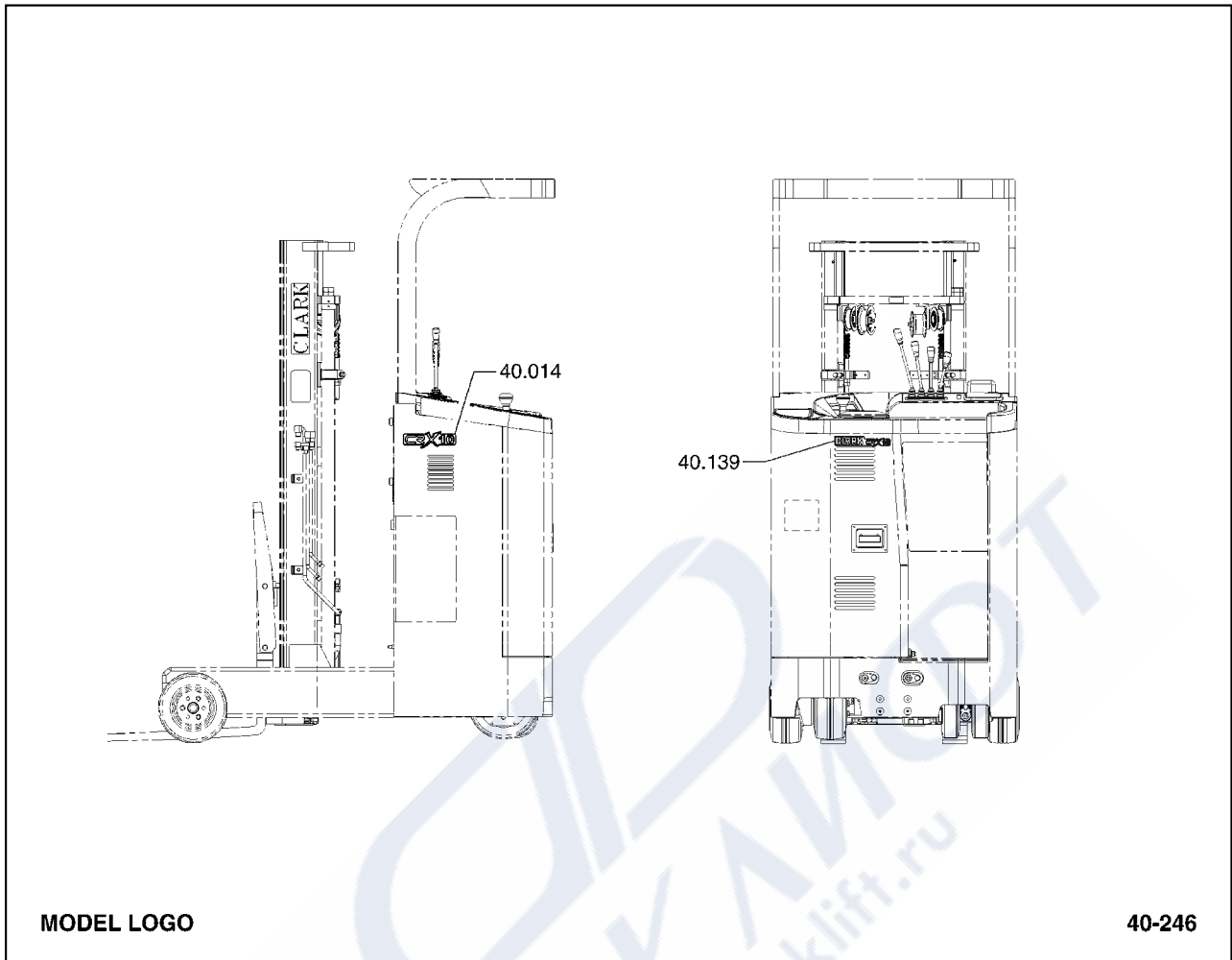


- 37.902 MAT, FLOORPLATE
매트
- 39.475 PLATE, FRONT FLOOR
플레이트

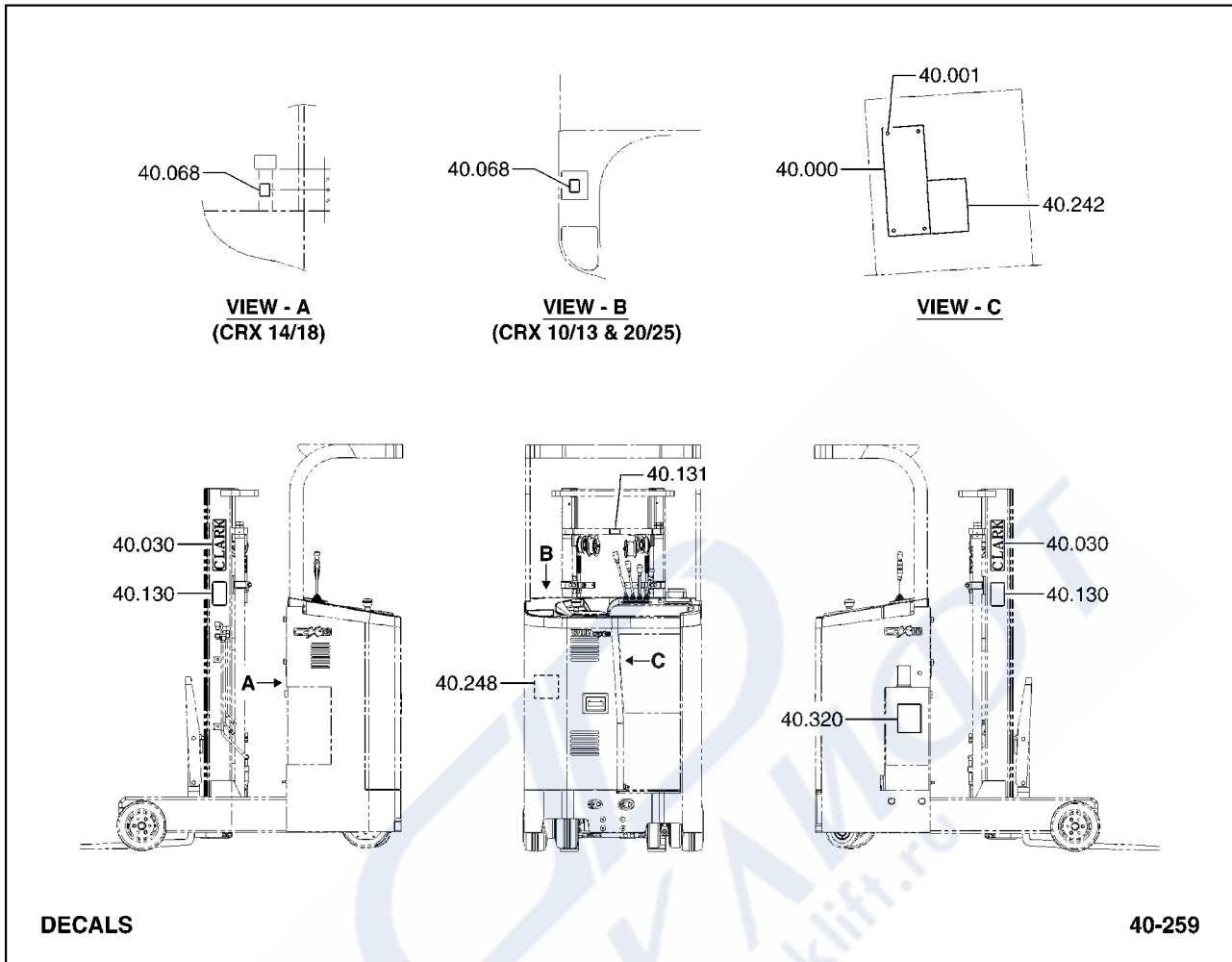


- | | |
|--------|---|
| 30.790 | COVER, VALVE CONTROL LINKAGE SHIELD
커버 |
| 30.791 | COVER, VALVE CONTROL LINKAGE SHIELD
커버 |
| 37.200 | PANEL, FRONT
판넬 |
| 37.421 | GROMMET, OVERHEAD GUARD REAR SUPPORT PIVOT
그로멧 |
| 37.504 | SHIELD, FRAME SIDE COMPARTMENT
실드 |
| 37.538 | PLUG, HYDRAULIC VALVE BRACKET HOLE
플러그 |
| 37.937 | FASTENER, DRIVERS COMPARTMENT PAD BRACKET
패스너 |
| 37.951 | FASTENER, DRIVERS COMPARTMENT PAD BRACKET
패스너 |
| 39.039 | SHIELD, FRAME SIDE COMPARTMENT
실드 |

39.040	FASTENER, FRAME SIDE COMPARTMENT SHIELD 패스너
39.106	FASTENER, FRONT PANEL TO LEGS 패스너
39.213	FASTENER, CORNERPAD MOUNTING 패스너
39.313	COVER, SCR CONTROL PANEL ACCESS 커버
39.316	STOP, SCR CONTROL PANEL ACCESS COVER 스톱
39.317	FASTENER, SCR CONTROL PANEL ACCESS COVER STOP 패스너
39.423	FASTENER, TOP HOOD 패스너
39.535	BRACKET, TOP HOOD MOUNTING 브라켓
39.571	FASTENER, DASH COVER 패스너
39.586	LATCH, SIDE HOOD 래치
39.594	HOOD, TOP 후드
39.595	FASTENER, TOP HOOD 패스너
41.148	BOOT, SHIFT LEVER 부트
93.937	FASTENER, PANEL GAUGE CLUSTER LENS 패스너



- 40.014 DECAL, MODEL NAME
 데칼
- 40.139 DECAL, MODEL DESIGNATION
 데칼



40.000 PLATE, CAPACITY & SERIAL NUMBER
플레이트

40.001 FASTENER, CAPACITY & SERIAL PLATE
패스너

40.030 DECAL, CLARK VERTICAL
데칼

40.068 DECAL, HYD-SYSTEM OIL
데칼

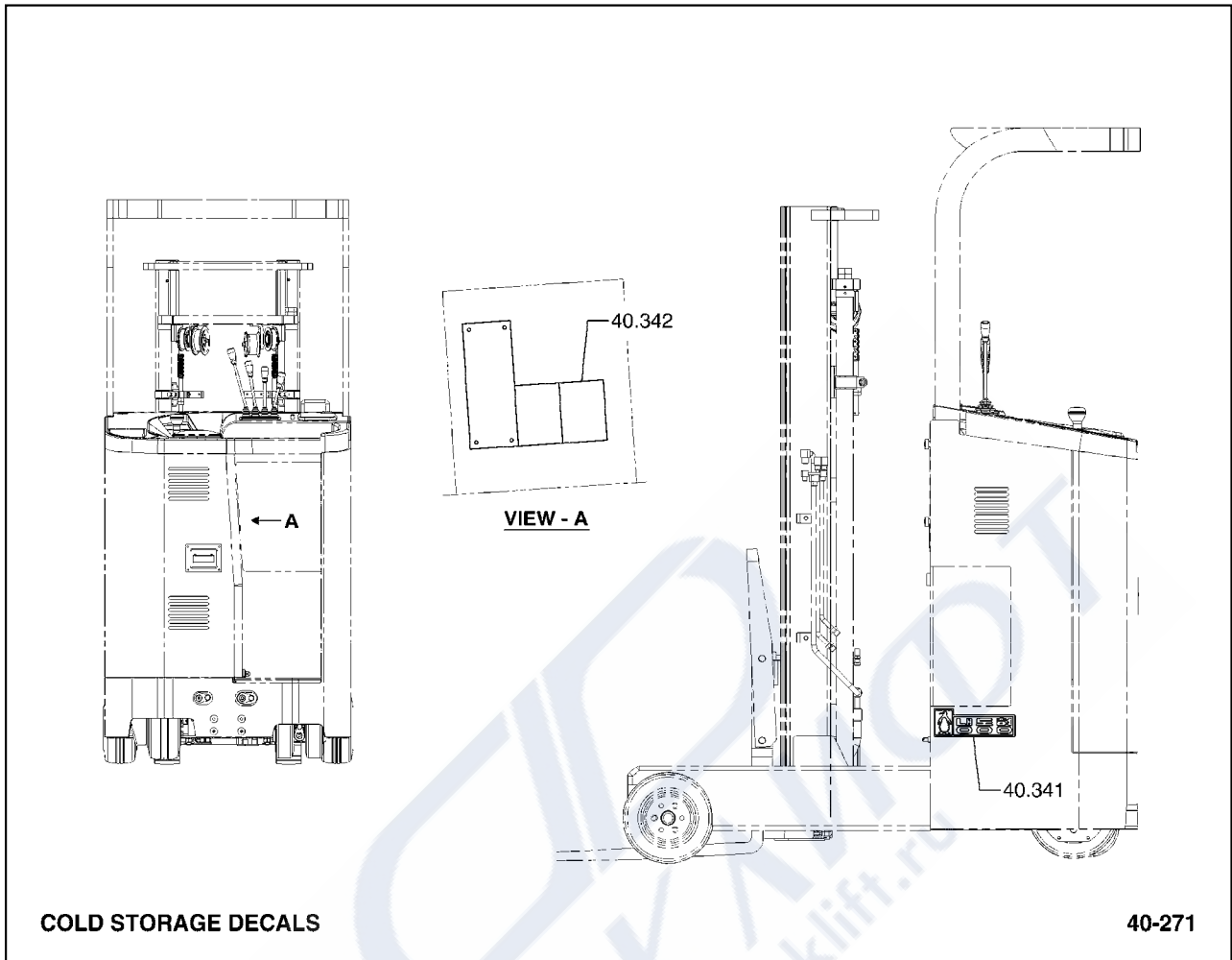
40.130 LEGEND, SAFETY
범례

40.131 LEGEND, SAFETY
범례

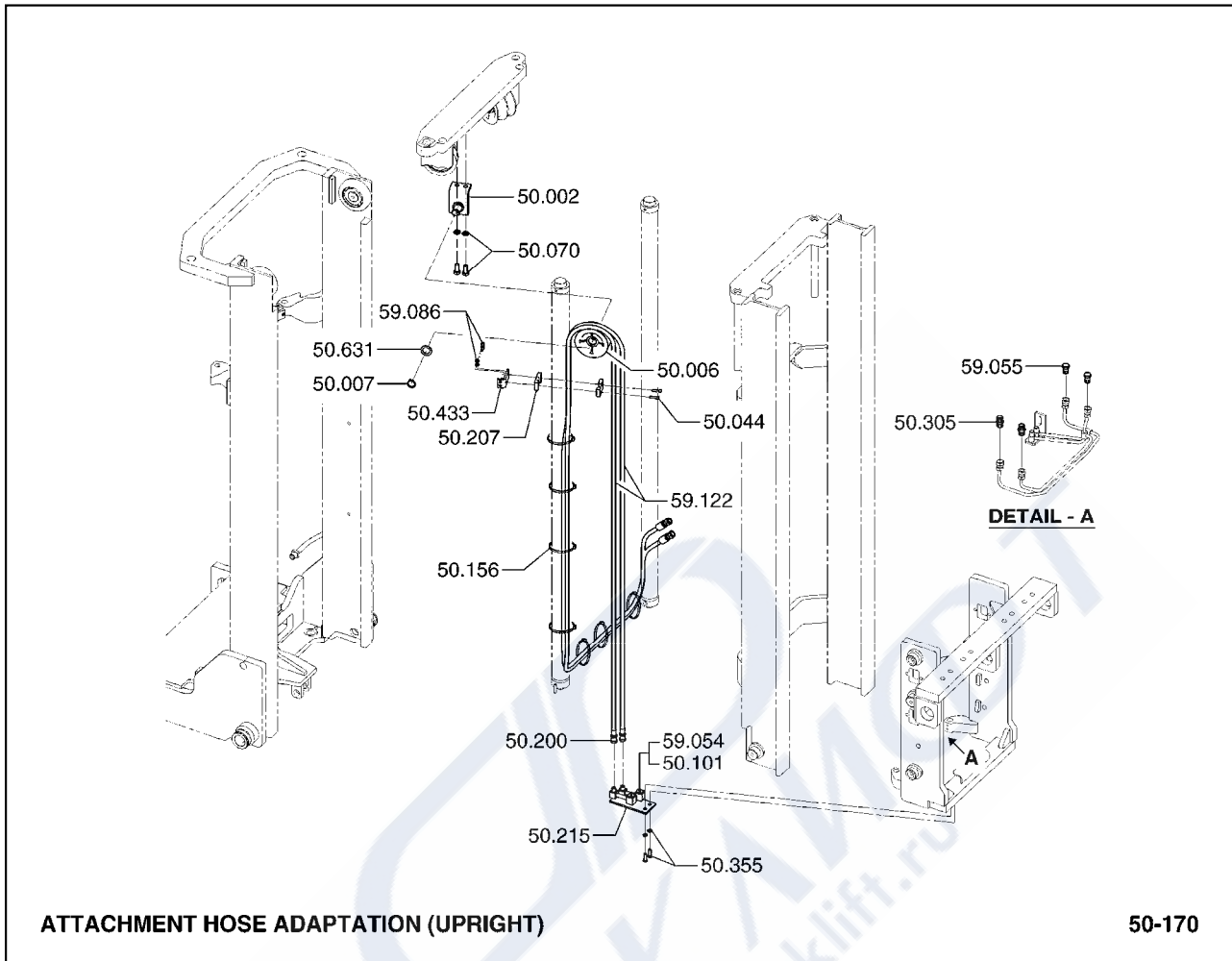
40.242 DECAL, WARNING
데칼

40.248 DECAL, SERVICE CHART
데칼

40.320 DECAL, BATTERY WARNING
데칼

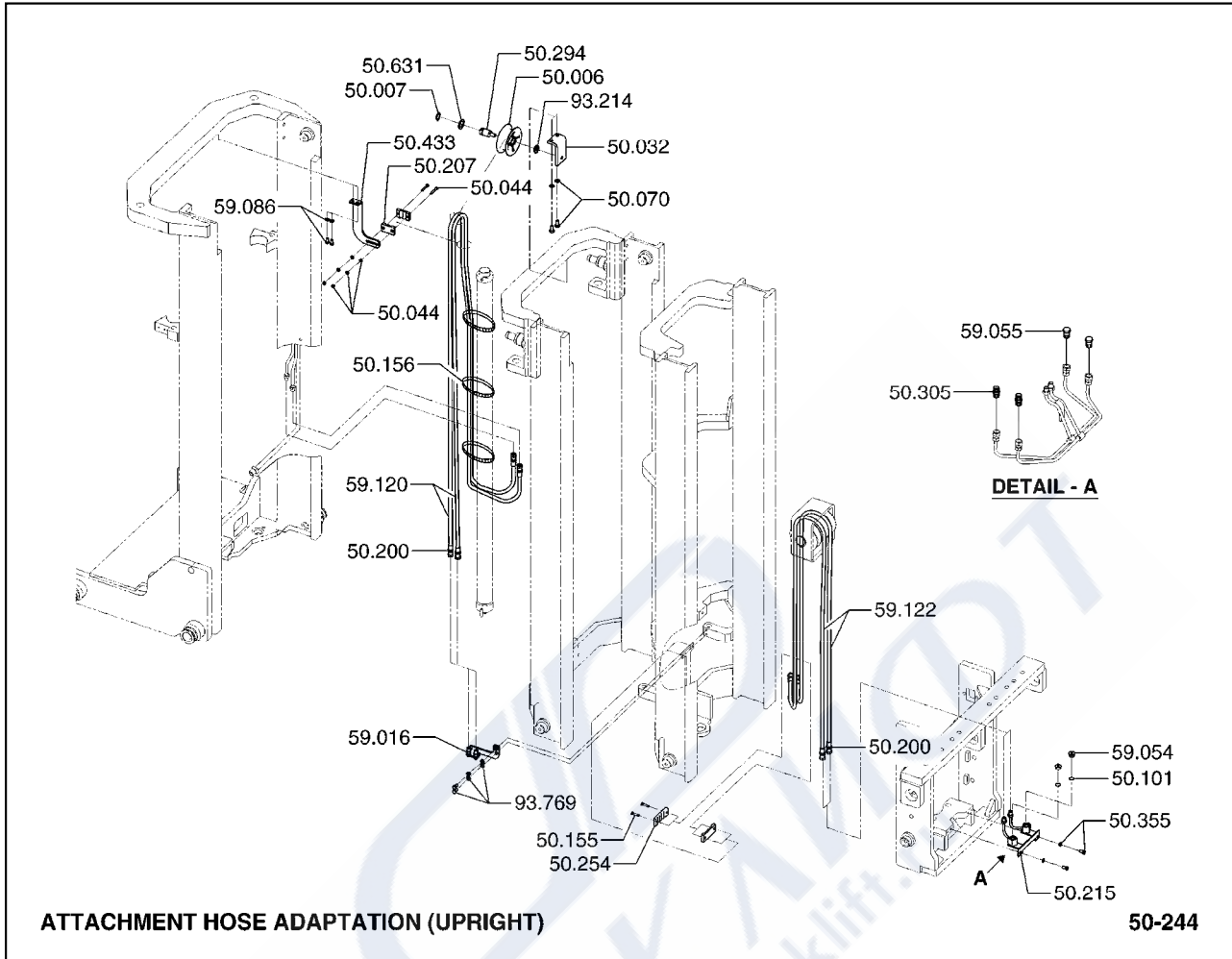


- 40.341 DECAL, COLD STORAGE
 데칼
- 40.342 DECAL, COLD STORAGE CAUTION
 데칼



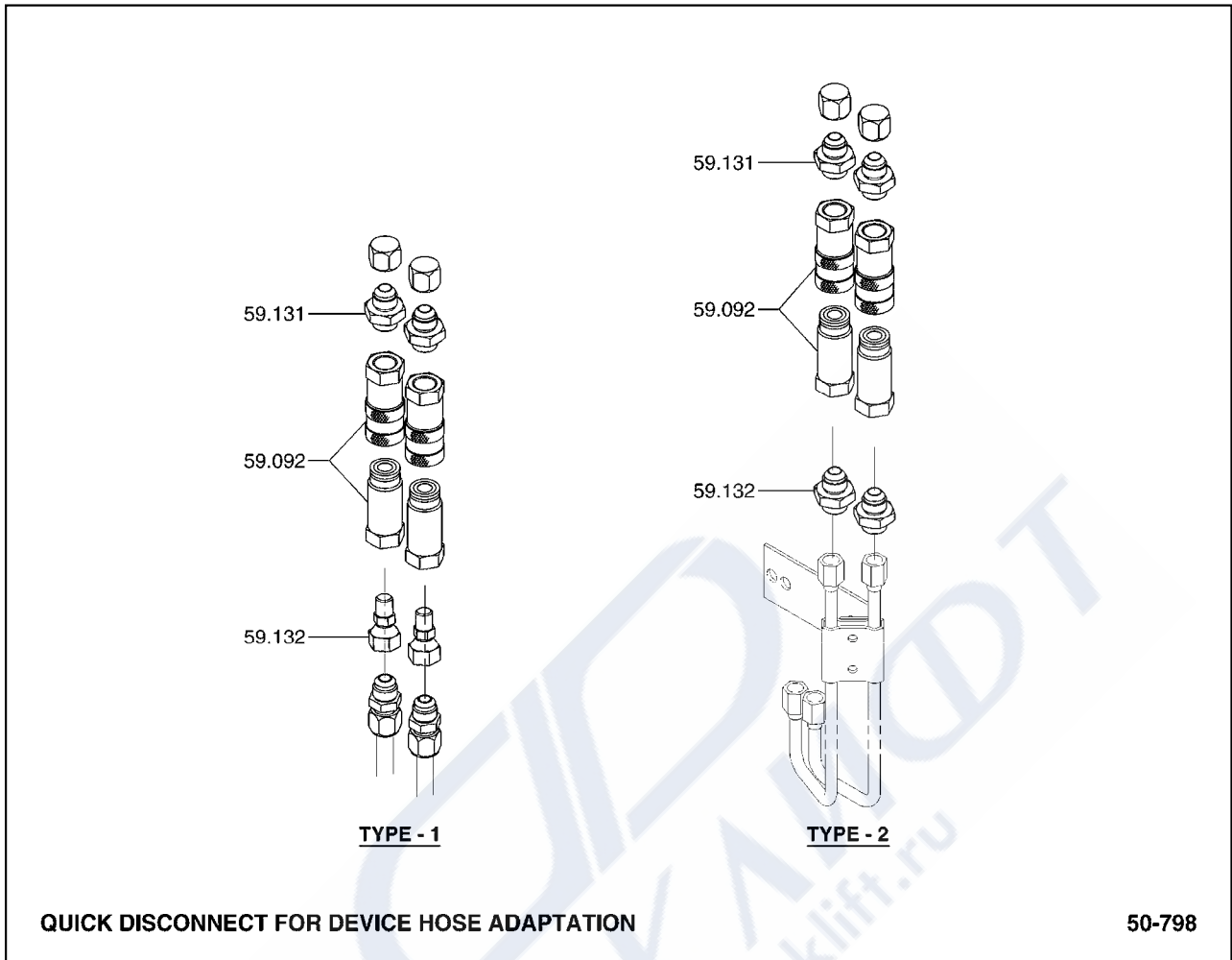
50.002	BRACKET, DEVICE HOSE UPPER SHEAVE RH 브라켓
50.006	SHEAVE, DEVICE HOSE UPPER 슈브
50.007	RETAINER, DEVICE HOSE SHEAVE 리테이너
50.044	FASTENER, DEVICE HOSE CLIP TO BRACKET 패스너
50.070	FASTENER, DEVICE HOSE UPPER SHEAVE BRKT 패스너
50.101	SEAL, DEVICE HOSE SWIVEL COUPLING 씰
50.156	CLIP, DEVICE HOSE 클립
50.200	COUPLING, DEVICE HOSE 커플링
50.207	CLAMP, DEVICE HOSE 클램프

50.215	TERMINAL BLOCK, DEVICE HOSE 터미널블록
50.305	FITTING, DEVICE HOSE TERMINAL BLOCK 피팅
50.355	FASTENER, DEVICE HOSE TERMINAL BLOCK 패스너
50.433	BRACKET, DEVICE HOSE CLAMP 브라켓
50.631	SPACER, DEVICE HOSE SHEAVE 스페이서
59.054	PLUG, DEVICE HOSE JUNCTION BLOCK 플러그
59.055	PLUG, DEVICE HOSE JUNCTION BLOCK 플러그
59.086	FASTENER, DEVICE HOSE CLIP BRACKET 패스너
59.122	LINE, DEVICE HYDRAULIC (INNER RAIL) 라인

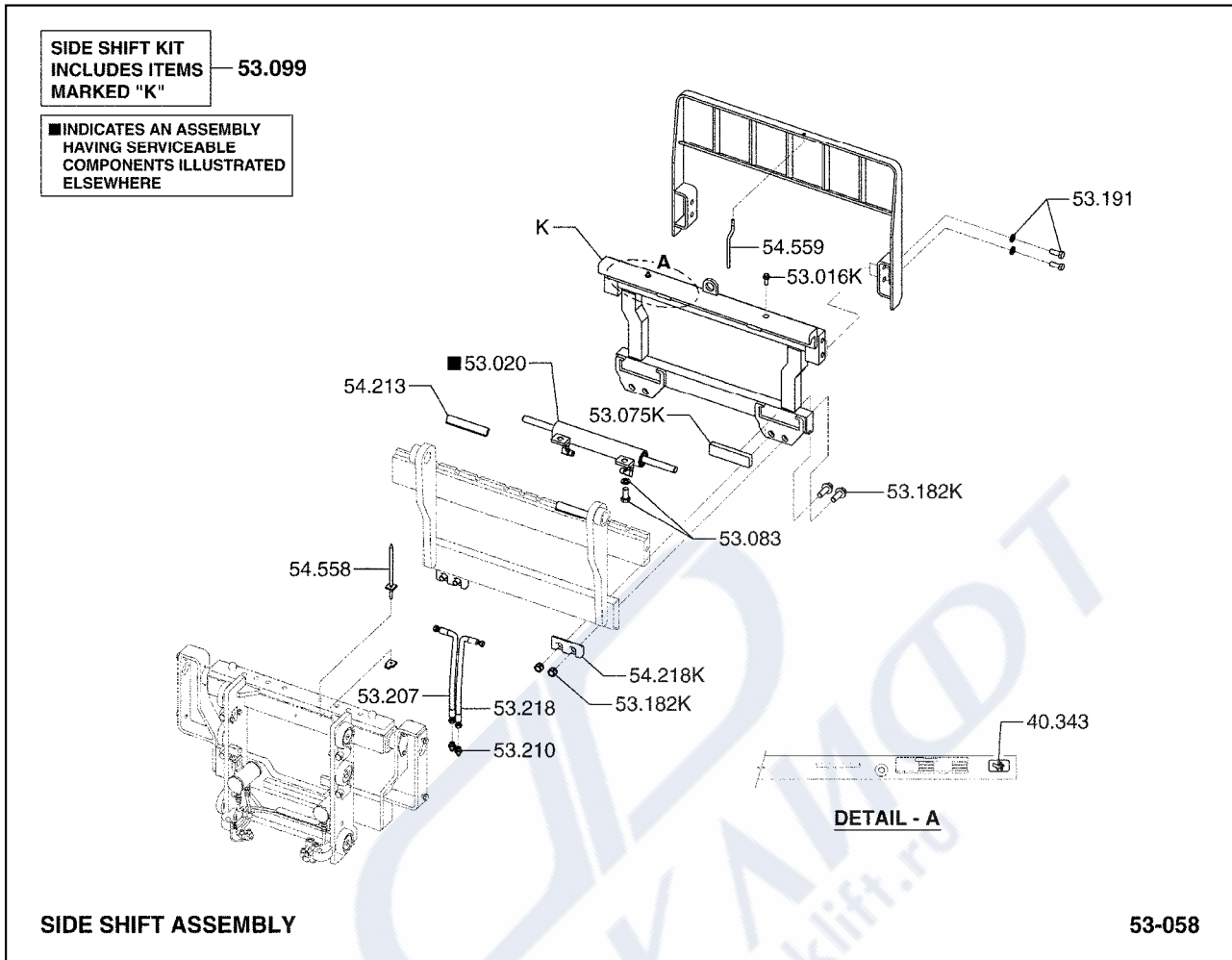


50.006	SHEAVE, DEVICE HOSE UPPER 슈브
50.007	RETAINER, DEVICE HOSE SHEAVE 리테이너
50.032	BRACKET, DEVICE HOSE UPPER SHEAVE LH 브라켓
50.044	FASTENER, DEVICE HOSE CLIP TO BRACKET 패스너
50.070	FASTENER, DEVICE HOSE UPPER SHEAVE BRKT 패스너
50.101	SEAL, DEVICE HOSE SWIVEL COUPLING 씰
50.155	FASTENER, DEVICE HOSE CLIP 패스너
50.156	CLIP, DEVICE HOSE 클립
50.200	COUPLING, DEVICE HOSE 커플링

50.207	CLAMP, DEVICE HOSE 클램프
50.215	TERMINAL BLOCK, DEVICE HOSE 터미널블록
50.254	CLAMP, DEVICE LINE 클램프
50.294	PIVOT, DEVICE HOSE UPPER SHEAVE 피벗
50.305	FITTING, DEVICE HOSE TERMINAL BLOCK 피팅
50.355	FASTENER, DEVICE HOSE TERMINAL BLOCK 패스너
50.433	BRACKET, DEVICE HOSE CLAMP 브라켓
50.631	SPACER, DEVICE HOSE SHEAVE 스페이서
59.016	JUNCTION BLOCK, DEVICE HOSE 정크션 블록
59.054	PLUG, DEVICE HOSE JUNCTION BLOCK 플러그
59.055	PLUG, DEVICE HOSE JUNCTION BLOCK 플러그
59.086	FASTENER, DEVICE HOSE CLIP BRACKET 패스너
59.120	LINE, DEVICE HYDRAULIC (INTERMEDIATE RAIL) 라인
59.122	LINE, DEVICE HYDRAULIC (INNER RAIL) 라인
93.214	FASTENER, DEVICE HOSE SHEAVE PIVOT 패스너
93.769	FASTENER, DEVICE LINE JUNCTION BLOCK 패스너



- 59.092 QUICK DISCONNECT, DEVICE HOSE
퀵디스커넥트
- 59.131 FITTING, DEVICE LINE QUICK DISCONNECT
피팅
- 59.132 FITTING, DEVICE LINE QUICK DISCONNECT
피팅

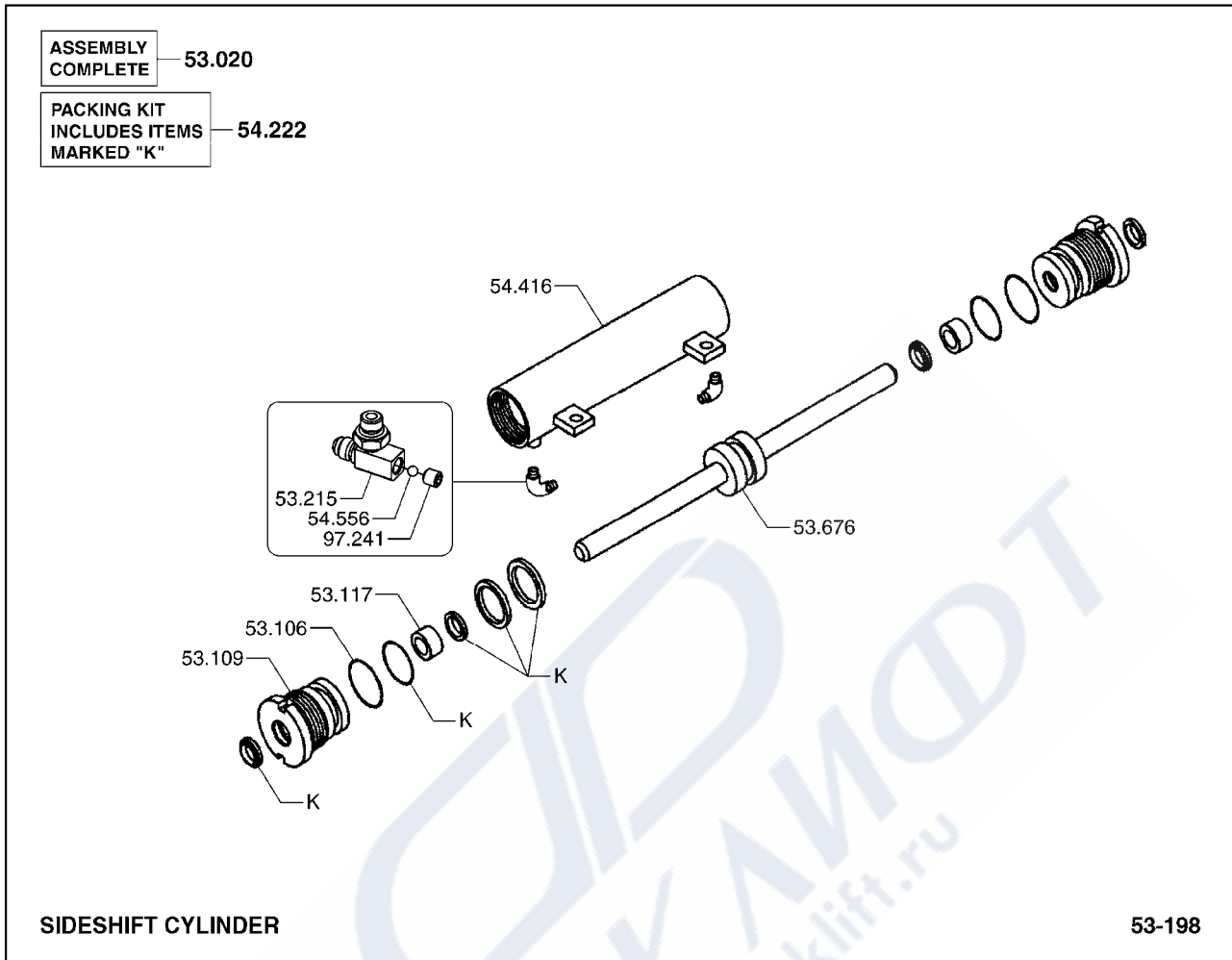


SIDE SHIFT ASSEMBLY

53-058

- | | |
|--------|--|
| 40.343 | DECAL, ATTACHMENT SAFETY
데칼 |
| 53.016 | FITTING-LUB, SIDE SHIFTER MOVABLE FRAME SUPPORT SH
피팅 |
| 53.020 | CYLINDER ASSEMBLY, SIDE SHIFTER
실린더 |
| 53.075 | BEARING, SIDE SHIFTER (LOWER)
베어링 |
| 53.083 | FASTENER, SIDE SHIFTER CYLINDER ANCHOR
패스너 |
| 53.099 | SIDE SHIFTER, DEVICE
사이드쉬프트 |
| 53.182 | FASTENER, SIDE SHIFTER HANGER
패스너 |
| 53.191 | FASTENER, LOAD SAFETY RACK CUSHION
패스너 |
| 53.207 | LINE, SIDE SHIFTER CYLINDER ANCHOR PORT
라인 |

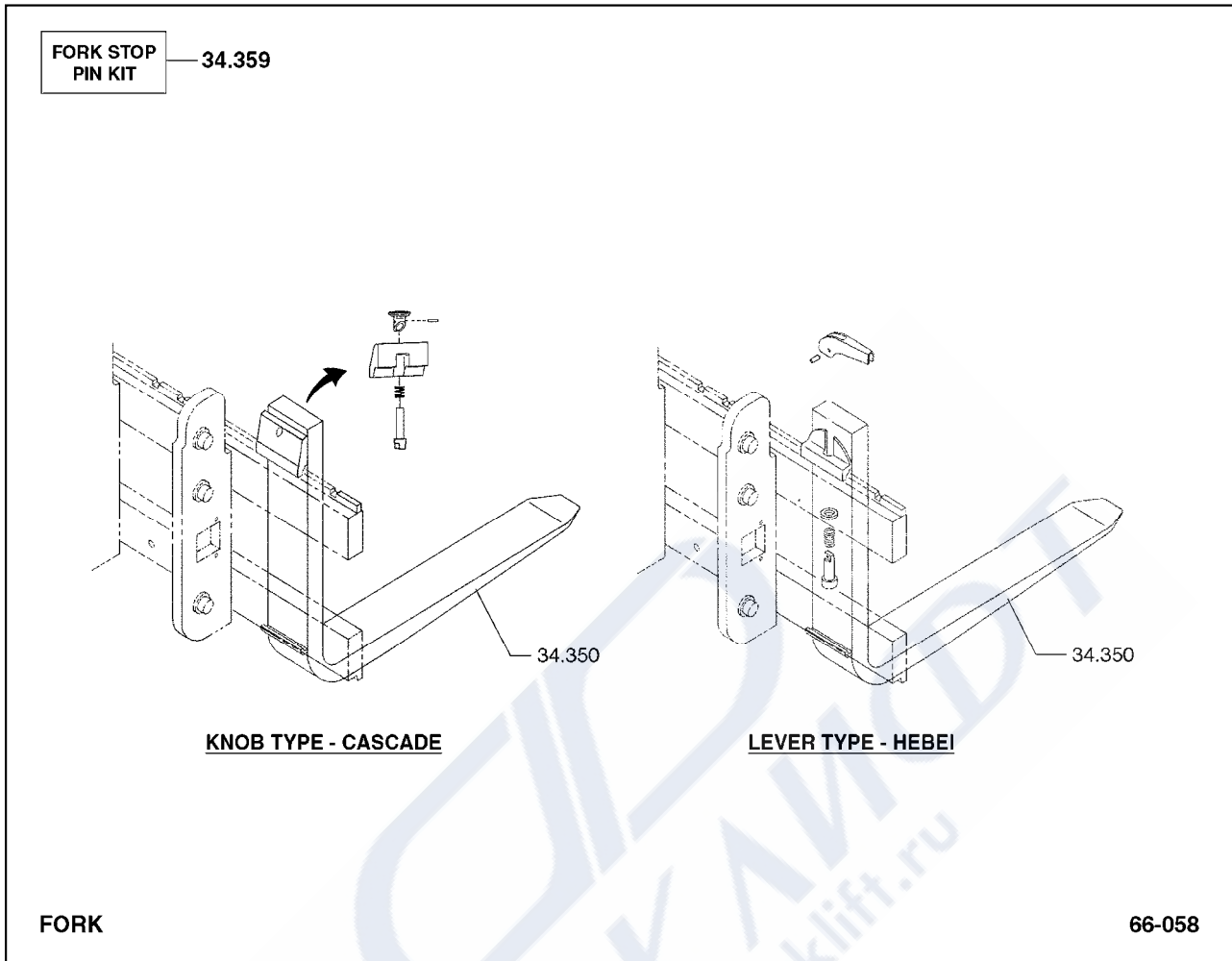
53.210	FITTING, SIDE SHIFTER CYLINDER ANCHOR PORT LINE 피팅
53.218	LINE, SIDE SHIFTER CYLINDER ROD PORT 라인
54.213	BEARING, SIDE SHIFTER (UPPER) 베어링
54.218	HOOK, SIDE SHIFTER HANGER 후크
54.558	INDICATOR, CARRIAGE POSITON CENTER 인디케이터
54.559	ROD, CARRIAGE POSITON CENTER INDICATOR 로드



53.020	CYLINDER ASSEMBLY, SIDE SHIFTER 실린더
53.109	GLAND, SIDE SHIFTER CYLINDER 그랜드
53.110	RETAINER, SIDE SHIFTER CYLINDER GLAND 리테이너
53.117	BUSHING, SIDE SHIFTER CYLINDER GLAND 부싱
53.215	FITTING, SIDE SHIFTER CYLINDER ROD PORT 피팅
53.676	ROD, SIDE SHIFTER CYLINDER PISTON 로드
54.222	PACKING KIT, SIDE SHIFTER CYLINDER 패킹키트
54.416	BARREL, SIDE SHIFT CYLINDER 배럴
54.556	BALL, SIDE SHIFTER CYLINDER ROD PORT 볼

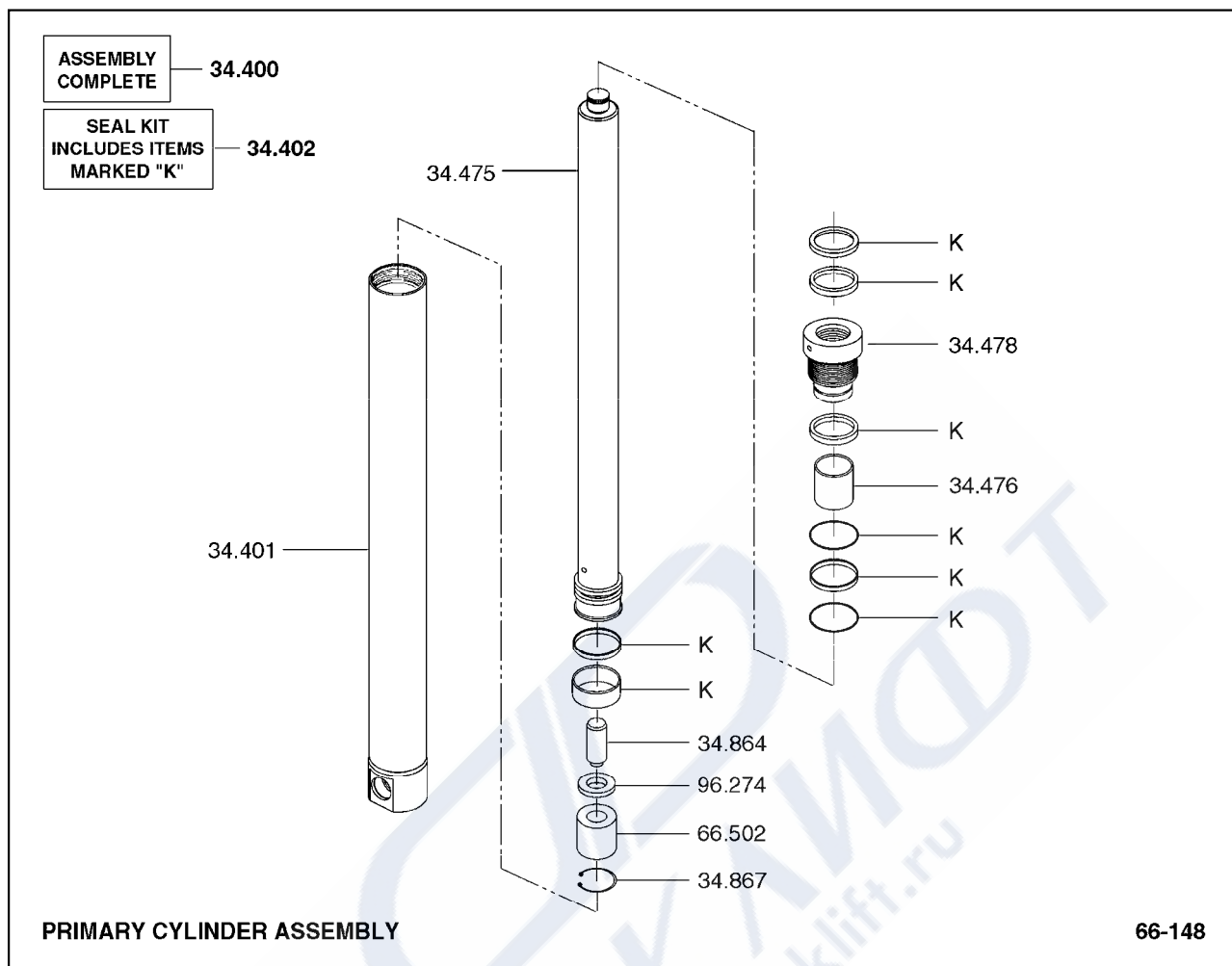
97.241 SET SCREW, SIDE SHIFTER CYLINDER ROD PORT
세트스크류





34.350 FORK ASSEMBLY
포크

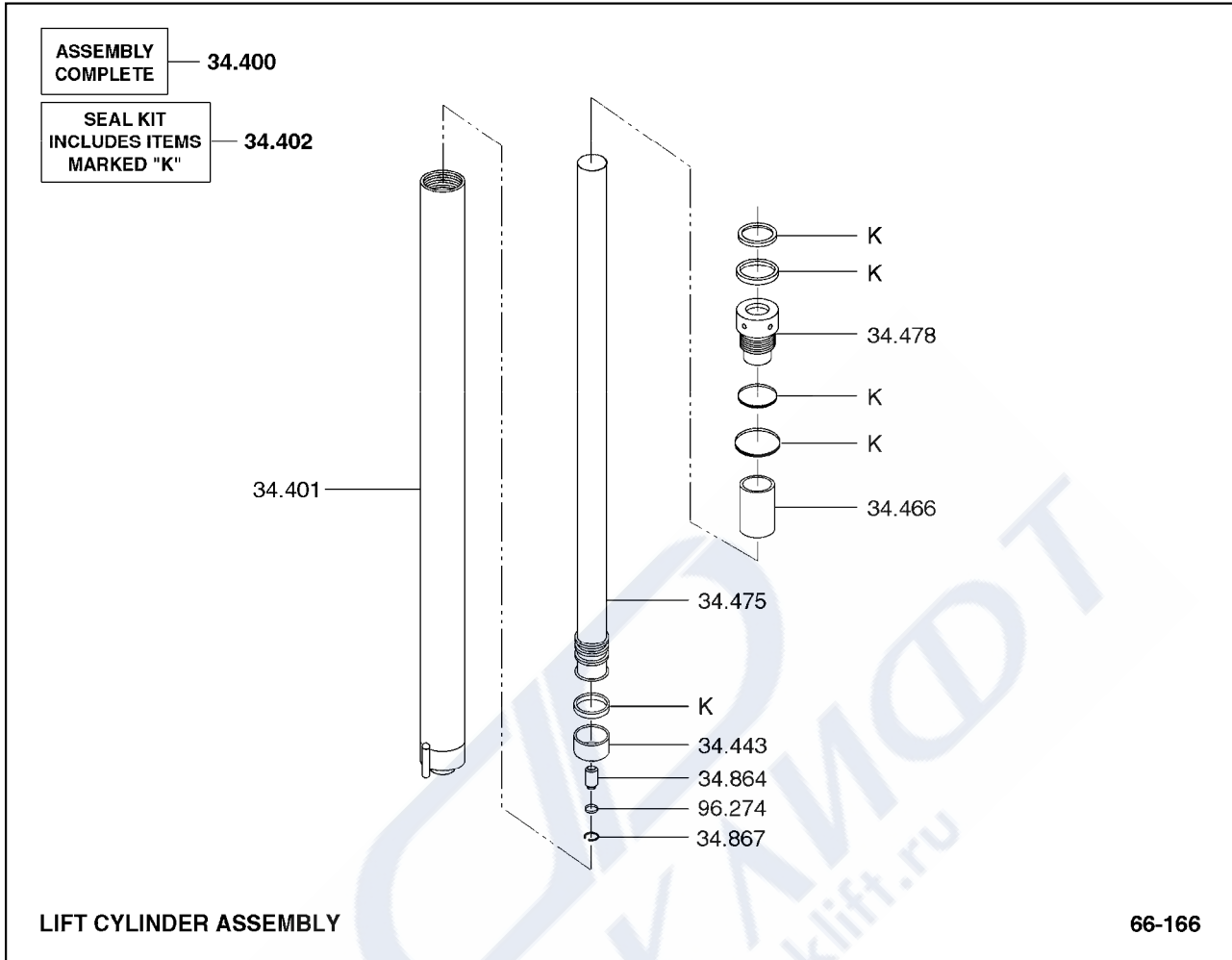
34.359 KIT, FORK STOP PIN (CAPTIVE)
키트



34.400	CYLINDER ASSEMBLY, LIFT 실린더
34.401	BARREL, LIFT CYLINDER 배럴
34.402	SEAL & PACKING KIT, LIFT CYLINDER 씰& 팩킹키트
34.475	ROD, LIFT CYLINDER 로드
34.476	BEARING, LIFT CYLINDER ROD 베어링
34.478	GLAND, LIFT CYLINDER 그랜드
34.864	CHECK VALVE, LIFT CYLINDER 체크밸브
34.867	RETAINER, LIFT CYLINDER CHECK VALVE 리테이너
66.502	CUSHION, LIFT CYLINDER 쿠션

96.274 WASHER, LIFT CYLINDER CHECK VALVE
육서

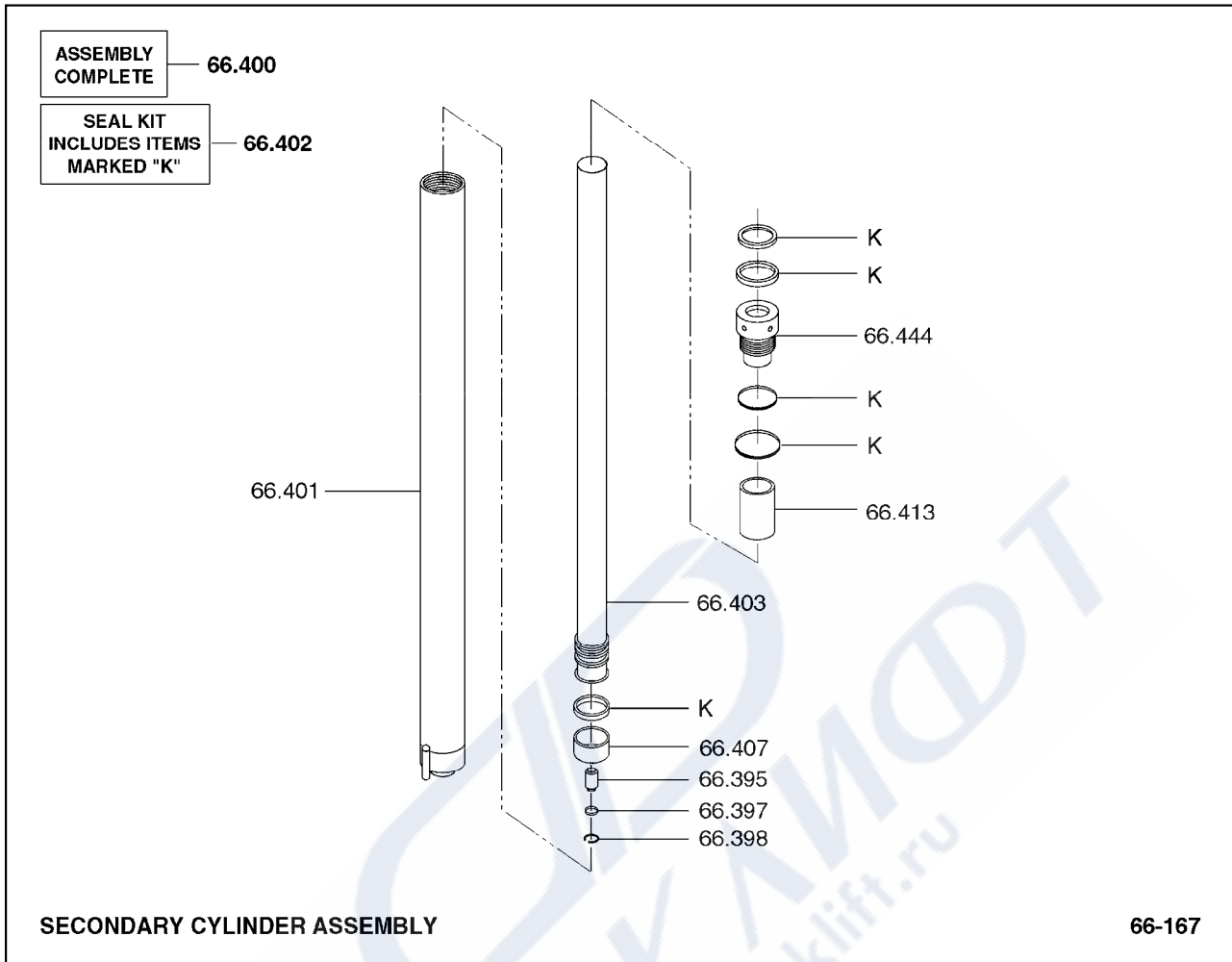




34.400	CYLINDER ASSEMBLY, LIFT 실린더
34.401	BARREL, LIFT CYLINDER 배럴
34.402	SEAL & PACKING KIT, LIFT CYLINDER 씰& 팩킹키트
34.443	RING, LIFT CYLINDER PISTON WEAR 링
34.466	SPACER, LIFT CYLINDER FEED TUBE 스페이서
34.475	ROD, LIFT CYLINDER 로드
34.478	GLAND, LIFT CYLINDER 그랜드
34.864	CHECK VALVE, LIFT CYLINDER 체크밸브
34.867	RETAINER, LIFT CYLINDER CHECK VALVE 리테이너

96.274 WASHER, LIFT CYLINDER CHECK VALVE
육서

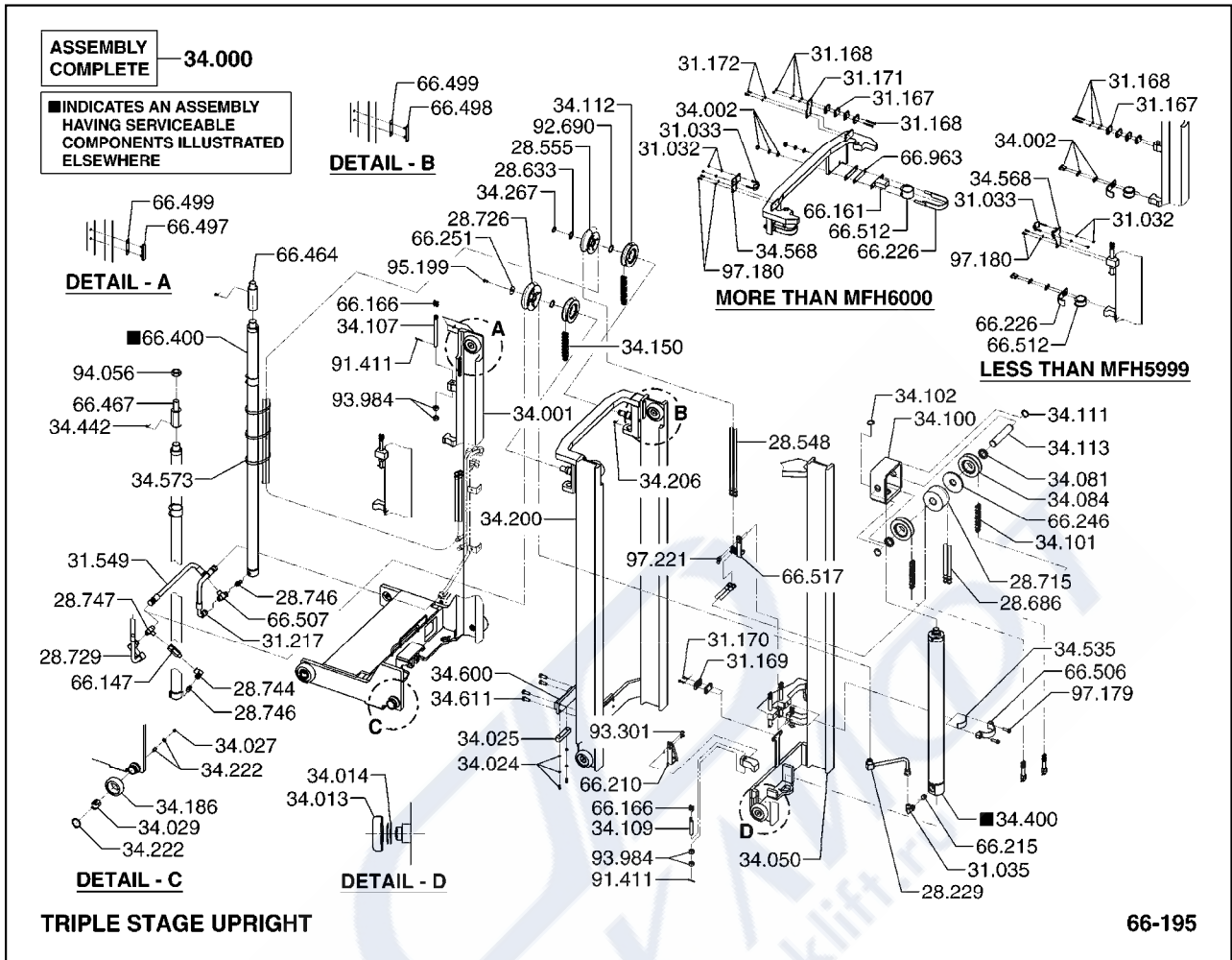
ФОРКЛИФТ
www.forklift.ru



66.395	CHECK VALVE, FINAL LIFT CYLINDER 체크밸브
66.397	WASHER, FINAL LIFT CYLINDER CHECK VALVE 와셔
66.398	SNAP RING, FINAL LIFT CYLINDER CHECK VALVE 스냅링
66.400	CYLINDER ASSEMBLY, FINAL LIFT 실린더
66.401	BARREL, FINAL LIFT CYLINDER 배럴
66.402	PACKING KIT, FINAL LIFT CYLINDER 패킹키트
66.403	PISTON ROD, FINAL LIFT CYLINDER 피스톤로드
66.407	WEAR RING, FINAL LIFT CYLINDER PISTON 웨어링
66.413	SPACER, FINAL LIFT CYLINDER PISTON ROD 스페이서

66.444 GLAND, FINAL LIFT CYLINDER
 그로드

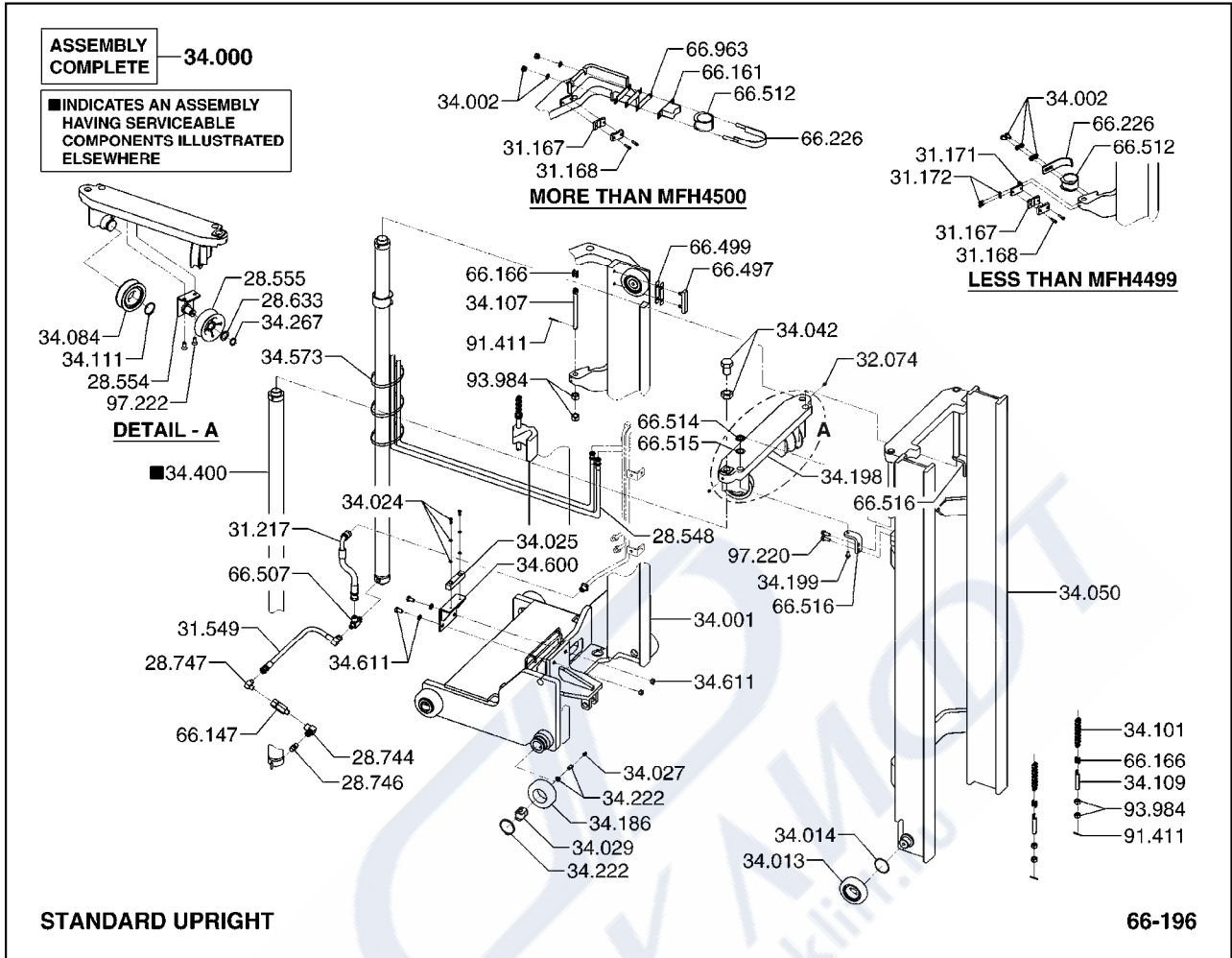




- 28.229 LINE, LIFT CYLINDER VENT
라인
- 28.548 HOSE, TILT (REEL TO CARRIAGE)
호스
- 28.555 SHEAVE, TILT HOSE
쉬브
- 28.633 SPACER, TILT HOSE SHEAVE
스페이서
- 28.686 LINE, TILT
라인
- 28.715 SHEAVE, TILT HOSE
쉬브
- 28.726 SHEAVE, LIFT CYLINDER HOSE
쉬브
- 28.729 LINE, LIFT CYLINDER
라인
- 28.744 FITTING, LIFT CYLINDER LINE
피팅
- 28.746 FITTING, LIFT CYLINDER LINE
피팅
- 28.747 FITTING, LIFT CYLINDER LINE
피팅
- 31.032 FASTENER, LIFT CYLINDER LINE SUPPORT BRACKET
패스너
- 31.033 CLAMP, LIFT CYLINDER LINE TO SUPPORT
클램프
- 31.035 FITTING, LIFT CYLINDER PORT
피팅
- 31.167 CLAMP, TILT LINE
클램프

- 31.168 FASTENER, TILT LINE CLAMP
패스너
- 31.169 CLAMP, TILT LINE
클램프
- 31.170 FASTENER, TILT LINE CLAMP
패스너
- 31.171 CLAMP, TILT CYLINDER CROSS LINE
클램프
- 31.172 FASTENER, TILT CYLINDER CROSS LINE CLAMP
패스너
- 31.217 LINE, LIFT CYLINDER INLET FITTING
라인
- 31.549 LINE, LIFT CYL FLOW CONTROL VALVE INLET
라인
- 34.000 UPRIGHT & LIFT CYL ASSEMBLY
마스트& 실린더
- 34.001 OUTER RAIL WELDER ASSEMBLY, UPRIGHT
아우터레일
- 34.002 FASTENER, LIFT CYLINDER TO SUPPORT
패스너
- 34.013 ROLLER, UPRIGHT
롤러
- 34.014 SHIM, UPRIGHT ROLLER
삼
- 34.024 FASTENER, OUTER RAIL STOP BLOCK PAD
패스너
- 34.025 PAD, OUTER RAIL STOP BLOCK
패드
- 34.027 FITTING-LUB, UPRIGHT INNER THRUST ROLLER
피팅

34.029	ROLLER, UPRIGHT INNER THRUST W/BUSHING 롤러	66.497	SLIDER, UPRIGHT 슬라이더
34.050	INNER RAIL WELDED ASSEMBLY, UPRIGHT 인너레일	66.498	SLIDER, UPRIGHT 슬라이더
34.081	SPACER, LIFT CHAIN SHEAVE CARRIER 스페이서	66.499	SHIM, UPRIGHT SLIDER 심
34.084	SHEAVE, LIFT CHAIN 쉬브	66.506	CLAMP, LIFT CYLINDER 클램프
34.100	CARRIER, LIFT CYLINDER CHAIN SHEAVE 캐리어	66.507	TEE, LIFT CYLINDER LINE 티
34.101	CHAIN, LIFT 체인	66.512	CUSHION, LIFT CYLINDER MOUNTING 쿠션
34.102	FASTENER, SHEAVE CARRIER 패스너	66.517	JUNCTION BLOCK, TILT CYLINDER LINES 정크션 블록
34.107	ANCHOR, LIFT CHAIN 앵커	66.963	SHIM, LIFT CYLINDER UPPER 심
34.109	ANCHOR, LIFT CHAIN CARRIAGE END 앵커	91.411	RETAINER, LIFT CHAIN TO ANCHOR FASTENER 리테이너
34.111	FASTENER, CHAIN SHEAVE SHAFT (CARRIER) 패스너	92.690	FASTENER, LIFT CHAIN SHEAVE SHAFT RETAINER 패스너
34.112	SHEAVE, LIFT CHAIN 쉬브	93.301	FASTENER, RAIL LIFT CHAIN ANCHOR BRACKET 패스너
34.113	SHAFT, LIFT CHAIN SHEAVE (CARRIER) 샤프트	93.984	FASTENER, LIFT CHAIN ANCHOR 패스너
34.150	CHAIN, UPRIGHT RAIL LIFT 체인	94.056	NUT, FINAL LIFT CYLINDER FASTENER (UPPER) 너트
34.186	ROLLER, UPRIGHT 롤러	95.199	FASTENER, LIFT LINE SHEAVE 패스너
34.200	INTERMEDIATE RAIL WELDED ASSEMBLY, UPRIGHT 인터레일	97.179	FASTENER, LIFT CYLINDER CLAMP 패스너
34.206	FASTENER, INTERMEDIATE RAIL STOP 패스너	97.180	FASTENER, LIFT CYLINDER LINE SUPPORT BRACKET 패스너
34.222	FASTENER, UPRIGHT INNER THRUST ROLLER ADJUSTOR 패스너	97.221	FASTENER, TILT CYLINDER LINE JUNCTION BLOCK 패스너
34.267	FASTENER, SHEAVE CARRIER GUIDE SHAFT 패스너		
34.400	CYLINDER ASSEMBLY, LIFT 실린더		
34.442	FASTENER, LIFT CYLINDER PISTON ROD CAP TO ROD 패스너		
34.535	SHIM, LIFT CYLINDER FEED TUBE PACKING RETAINER 심		
34.568	CLAMP, LIFT CYLINDER VENT LINE 클램프		
34.573	CLAMP, VENT LINE TO LIFT CYLINDER 클램프		
34.600	SUPPORT, UPRIGHT 서포트		
34.611	FASTENER, UPRIGHT SUPPORT 패스너		
66.147	VALVE, FINAL LIFT CYLINDER PORT FLOW CONTROL 밸브		
66.161	BRACKET, FINAL LIFT CYLINDER MOUNTING 브라켓		
66.166	LINK, LIFT CHAIN ANCHOR 링크		
66.210	BRACKET, LIFT CYLINDER CHAIN ANCHOR 브라켓		
66.215	VALVE, LIFT CYLINDER PORT FLOW CONTROL 밸브		
66.226	CLAMP, FREE LIFT CYLINDER 클램프		
66.246	SPACER, LIFT CHAIN SHEAVE 스페이서		
66.251	SPACER, LIFT CYLINDER LINE SHEAVE 스페이서		
66.400	CYLINDER ASSEMBLY, FINAL LIFT 실린더		
66.464	HEAD-ROD, SPACER LIFT CYLINDER TO SHEAVE 헤드		
66.467	HEAD-ROD, ADJUSTABLE SPACER LIFT CYLINDER TO SH 헤드		



- 28.548 HOSE, TILT (REEL TO CARRIAGE)
호스
- 28.554 BRACKET, TILT HOSE SHEAVE
브라켓
- 28.555 SHEAVE, TILT HOSE
쉬브
- 28.633 SPACER, TILT HOSE SHEAVE
스페이서
- 28.744 FITTING, LIFT CYLINDER LINE
피팅
- 28.746 FITTING, LIFT CYLINDER LINE
피팅
- 28.747 FITTING, LIFT CYLINDER LINE
피팅
- 31.167 CLAMP, TILT LINE
클램프
- 31.168 FASTENER, TILT LINE CLAMP
패스너
- 31.171 CLAMP, TILT CYLINDER CROSS LINE
클램프
- 31.172 FASTENER, TILT CYLINDER CROSS LINE CLAMP
패스너
- 31.217 LINE, LIFT CYLINDER INLET FITTING
라인
- 31.549 LINE, LIFT CYL FLOW CONTROL VALVE INLET
라인
- 32.074 FASTENER, UPRIGHT POSITION ADJUSTOR
패스너
- 34.000 UPRIGHT & LIFT CYL ASSEMBLY
마스트& 실린더

- 34.001 OUTER RAIL WELDER ASSEMBLY, UPRIGHT
아웃더레일
- 34.002 FASTENER, LIFT CYLINDER TO SUPPORT
패스너
- 34.013 ROLLER, UPRIGHT
롤러
- 34.014 SHIM, UPRIGHT ROLLER
삼
- 34.024 FASTENER, OUTER RAIL STOP BLOCK PAD
패스너
- 34.025 PAD, OUTER RAIL STOP BLOCK
패드
- 34.027 FITTING-LUB, UPRIGHT INNER THRUST ROLLER
피팅
- 34.029 ROLLER, UPRIGHT INNER THRUST W/BUSHING
롤러
- 34.042 FASTENER, LIFT CYLINDER (UPPER)
패스너
- 34.050 INNER RAIL WELDED ASSEMBLY, UPRIGHT
인내레일
- 34.084 SHEAVE, LIFT CHAIN
쉬브
- 34.101 CHAIN, LIFT
체인
- 34.107 ANCHOR, LIFT CHAIN
앵커
- 34.109 ANCHOR, LIFT CHAIN CARRIAGE END
앵커
- 34.111 FASTENER, CHAIN SHEAVE SHAFT (CARRIER)
패스너

34.186	ROLLER, UPRIGHT 롤러
34.198	BAR, SHEAVE CARRIER GUIDE 바
34.199	FASTENER, SHEAVE CARRIER GUIDE BAR 패스너
34.222	FASTENER, UPRIGHT INNER THRUST ROLLER ADJUSTOR 패스너
34.267	FASTENER, SHEAVE CARRIER GUIDE SHAFT 패스너
34.400	CYLINDER ASSEMBLY, LIFT 실린더
34.573	CLAMP, VENT LINE TO LIFT CYLINDER 클램프
34.600	SUPPORT, UPRIGHT 서포트
34.611	FASTENER, UPRIGHT SUPPORT 패스너
66.147	VALVE, FINAL LIFT CYLINDER PORT FLOW CONTROL 밸브
66.161	BRACKET, FINAL LIFT CYLINDER MOUNTING 브라켓
66.166	LINK, LIFT CHAIN ANCHOR 링크
66.226	CLAMP, FREE LIFT CYLINDER 클램프
66.497	SLIDER, UPRIGHT 슬라이더
66.499	SHIM, UPRIGHT SLIDER 심
66.507	TEE, LIFT CYLINDER LINE 티
66.512	CUSHION, LIFT CYLINDER MOUNTING 쿠션
66.514	CUSHION, SHEAVE CARRIER GUIDE BAR 쿠션
66.515	CUSHION, SHEAVE CARRIER GUIDE BAR 쿠션
66.516	BRACKET, SHEAVE CARRIER GUIDE BAR SUPPORT 브라켓
66.963	SHIM, LIFT CYLINDER UPPER 심
91.411	RETAINER, LIFT CHAIN TO ANCHOR FASTENER 리테이너
93.984	FASTENER, LIFT CHAIN ANCHOR 패스너
97.220	FASTENER, SHEAVE CARRIER GUIDE BAR SUPPORT 패스너
97.222	FASTENER, TILT HOSE SHEAVE BRACKET 패스너