

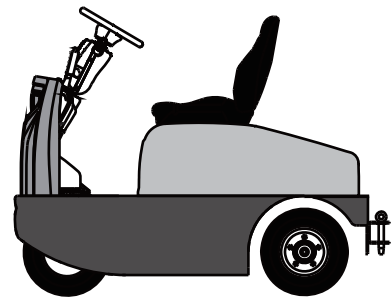
부품 매뉴얼 PARTS MANUAL

CTX 40/70

SERIAL NUMBER : CTX470 - XXXX - 9812 KF

부품 청구시 항상 장비의 SERIAL NO. 도
함께 알려 주십시오.

ALWAYS GIVE TRUCK SERIAL NUMBER
WHEN ORDERING PARTS.



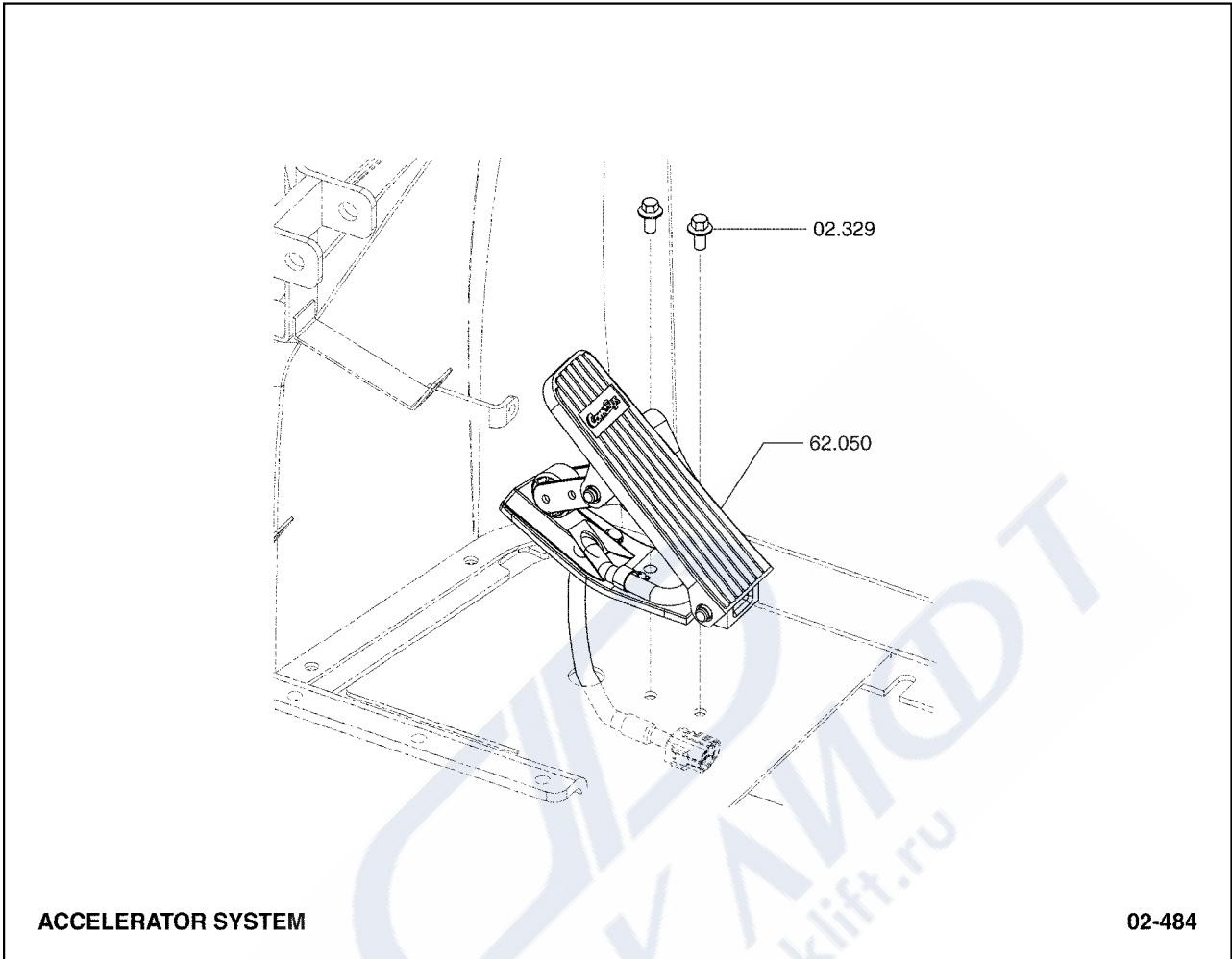
Part No : 8090308
Dec, 2013



(본사) 경기도 부천시 오정구 오정동 202-1
(Head office) 202-1 Ojung-Dong, Ojung-Gu, Bucheon-city, Kyunggi-do, Korea
(공장) 경남 창원시 웅남동 40-1
(Factory) 40-1 Ungnam-dong, Changwon-city, Kyungnam, Korea

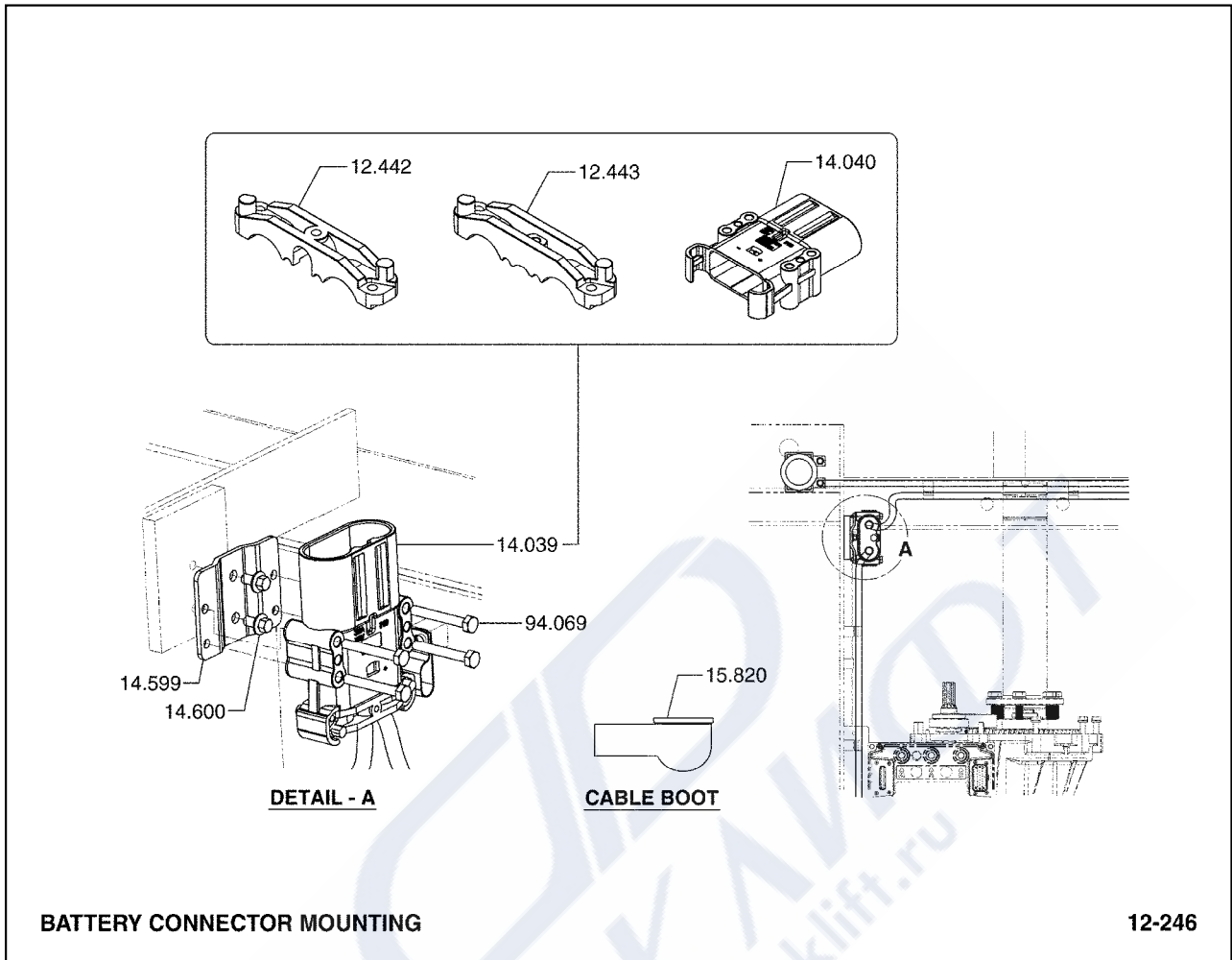


02-484	ACCELERATOR SYSTEM 액셀레이터 시스템	39-834	SEAT ASSEMBLY (SUSPENSION) 시트 어셈블리
12-246	BATTERY CONNECTOR MOUNTING 배터리 커넥터 마운팅	39-991	REAR VIEW MIRROR MOUNTING 후방미러 마운팅
13-228	BACK-UP ALARM INSTALLATION 백-업 알람 조립그룹	40-260	TRUCK FLUIDS 트럭 윤활유
13-311	COMBINATION LAMP INSTALLATION 컴비네이션 램프 조립그룹	40-262	DECALS 데칼
14-492	ELECTRICAL WIRING 전기장치 와이어링	41-035	MANUALS 매뉴얼
14-527	ELECTRICAL COMPONENTS 전기장치 구성품	75-012	SEAT OPERATED BRAKE SWITCH 시트 조작 브레이크 스위치
14-943	ELECTRICAL COMPONENTS 전기장치 구성품		
15-019	CABLE INSTALLATION 케이블 조립그룹		
16-157	DRIVE MOTOR ASSEMBLY 드라이브 모터 어셈블리		
17-111	LINE CONTACTOR ASSEMBLY 라인 컨택터 어셈블리		
19-024	CONTROLLER MOUNTING 컨트롤러 마운팅		
20-179	DRIVE MOTOR AND DRIVE AXLE MOUNTING 드라이브 모터 & 드라이브 액슬 마운팅		
20-181	DRIVE AXLE ASSEMBLY 드라이브 액슬 어셈블리		
22-013	DRIVE WHEEL & TIRE MOUNTING 드라이브 휠 & 타이어 마운팅		
22-014	STEER WHEEL & TIRE MOUNTING 스티어링 휠 & 타이어 마운팅		
22-024	DRIVE WHEEL & TIRE (SOLID TYPE) 드라이브 휠 & 타이어 (솔리드 타입)		
22-025	STEER WHEEL & TIRE (SOLID TYPE) 스티어링 휠 & 타이어 (솔리드 타입)		
22-040	BRAKE ASSEMBLY 브레이크 어셈블리		
22-041	DRIVE WHEEL AND TIRE 드라이브 휠 & 타이어		
22-042	STEER WHEEL & TIRE 스티어링 휠 & 타이어		
23-242	BRAKE MASTER CYLINDER 브레이크 마스터 실린더		
23-349	STEER WHEEL & TIRE 스티어링 휠 & 타이어		
23-385	DRIVE WHEEL & TIRE MOUNTING 드라이브 휠 & 타이어 마운팅		
23-530	BRAKE SYSTEM 브레이크 시스템		
23-531	BRAKE LINES 브레이크 라인		
23-532	PARKING BRAKE SYSTEM 파킹 브레이크 시스템		
25-358	STEERING COLUMN ASSEMBLY 스티어링 컬럼 어셈블리		
25-359	STEERING WHEEL & COLUMN MOUNTING 스티어링 휠 & 컬럼 마운팅		
25-377	STEERING COLUMN SHAFT ASSEMBLY 스티어링 컬럼 샤프트 어셈블리		
26-229	STEER AXLE MOUNTING 스티어링 액슬 마운팅		
26-317	STEER AXLE ASSEMBLY 스티어링 액슬 어셈블리		
37-011	FLOOR PLATE MOUNTING 플로어 플레이트 마운팅		
37-012	SHEET METAL & HOOD MOUNTING 시트메탈 & 후드 마운팅		
37-099	HITCH & DRAWBAR MOUNTING 히치 & 드로우바 마운팅		
39-861	SEAT ASSEMBLY 시트 어셈블리		
39-829	SEAT MOUNTING 시트 마운팅		



- 02.329 FASTENER, ACCELERATOR PEDAL
페스너

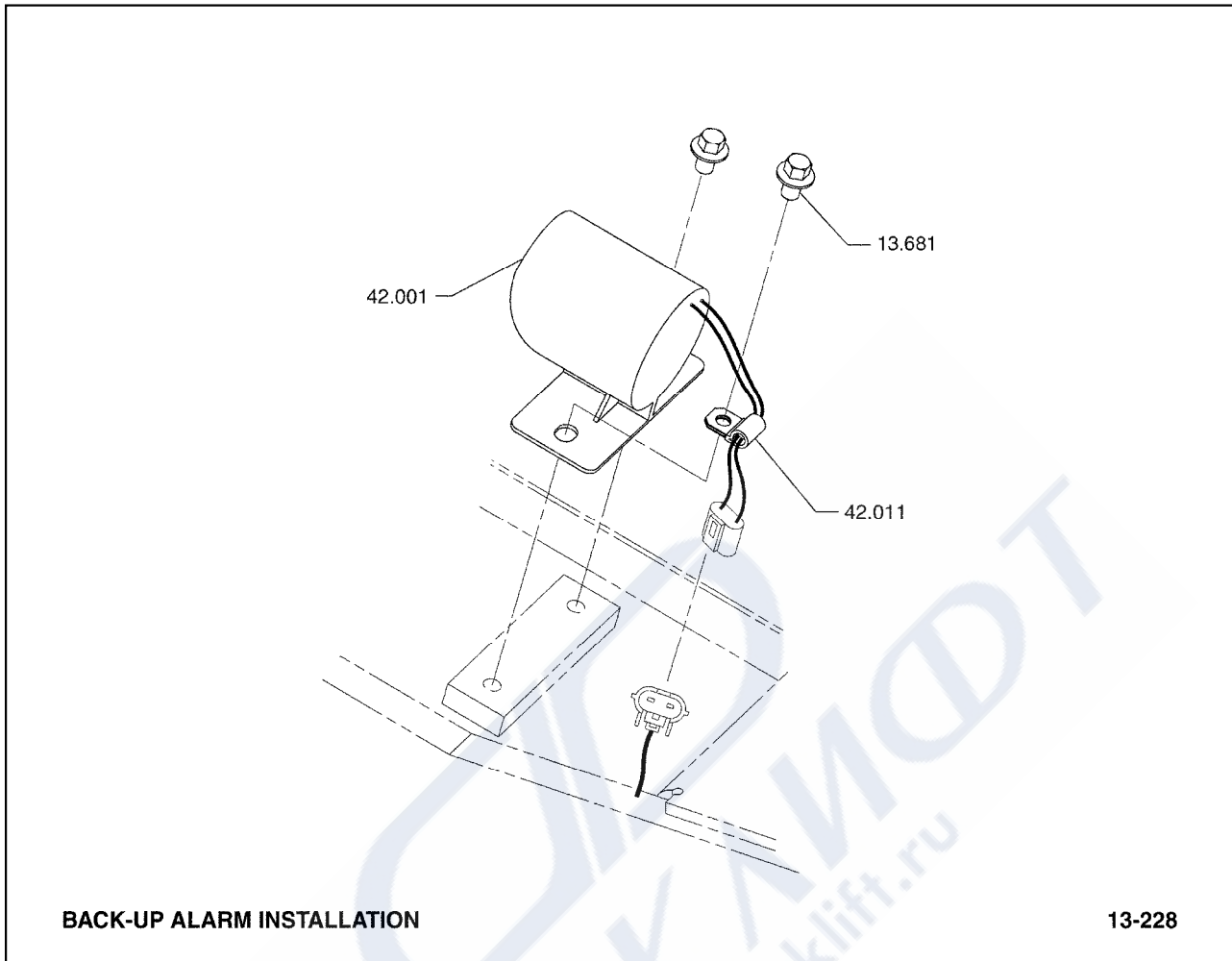
- 62.050 PEDAL ASSEMBLY, ACCELERATOR
페달



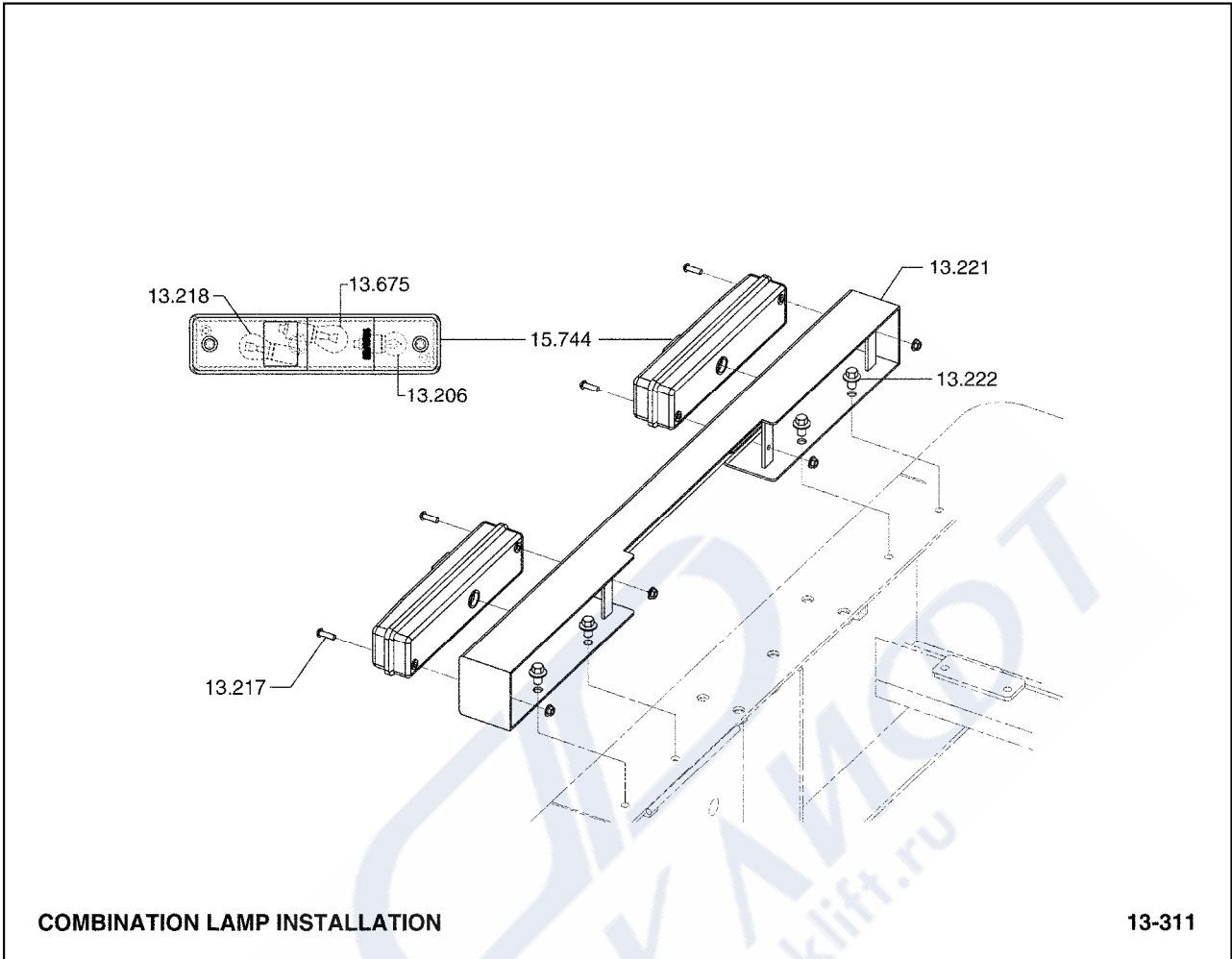
BATTERY CONNECTOR MOUNTING

12-246

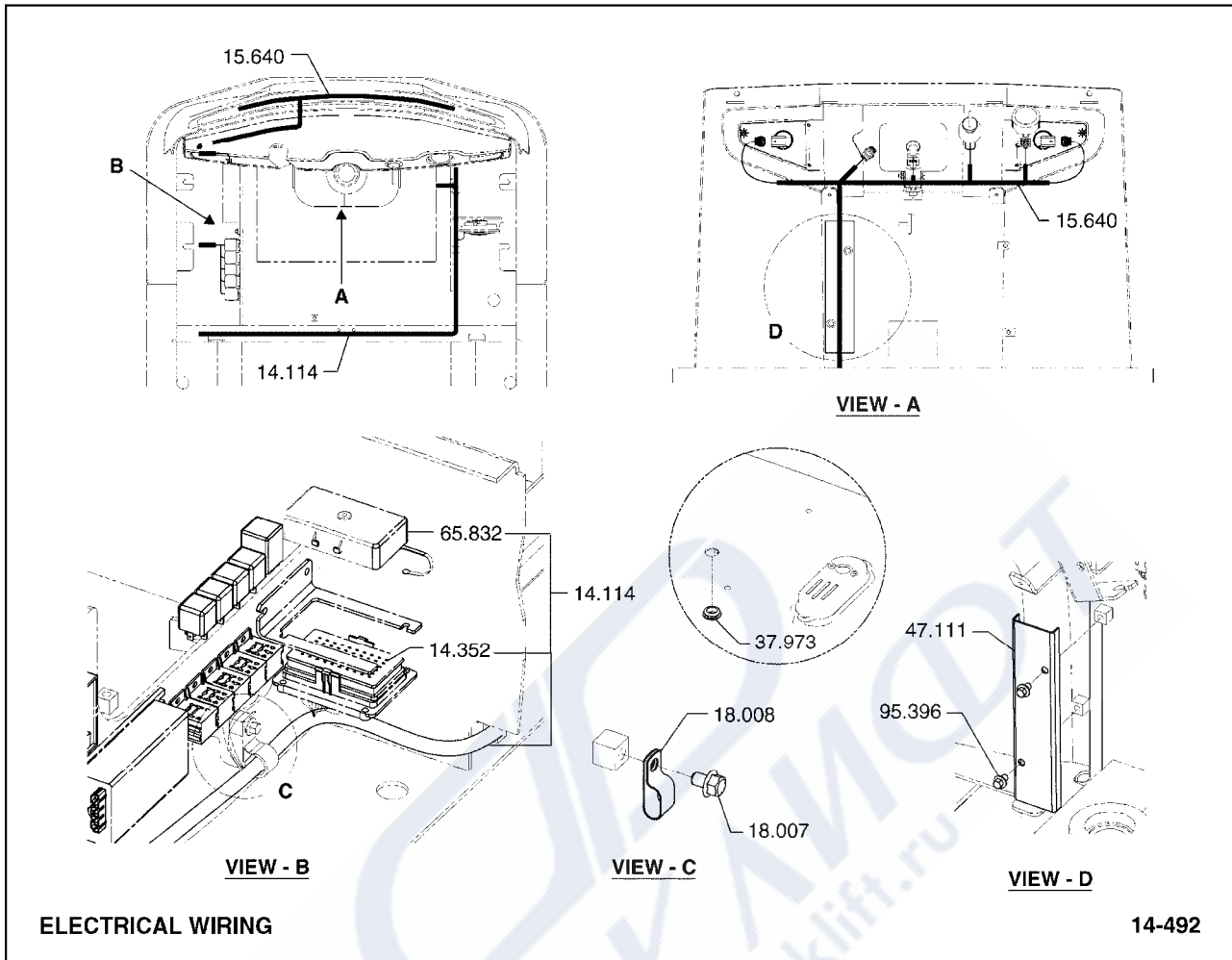
12.442	CLAMP, BATTERY PLUG 클램프
12.443	CLAMP, BATTERY PLUG 클램프
14.039	RECEPTACLE & LEAD ASSEMBLY, BATTERY 리셉터클& 리드
14.040	RECEPTACLE, BATTERY 리셉터클
14.599	BRACKET, BATTERY RECEPTACLE MOUNTING 브라켓
14.600	FASTENER, BATTERY RECEPTACLE MOUNTING BRACKET 패스너
15.820	BOOT, CABLE 부트
94.069	FASTENER, BATTERY RECEPTACLE 패스너



- | | |
|--------|--|
| 13.681 | FASTENER, WARNING DEVICE
패스너 |
| 42.001 | WARNING DEVICE, AUDIBLE (AIR OPER)
경고장치 |
| 42.011 | CLIP, AUDIBLE WARNING DEVICE CABLE
클립 |



13.206	BULB, BACK-UP LAMP 전구
13.217	FASTENER, COM STOP & TAIL LAMP ASSY MTG 패스너
13.218	BULB, STOP & TAIL LAMP 전구
13.221	BRACKET, COMB STOP & TAIL LAMP ASSY MTG 브라켓
13.222	FASTENER, STOP & TAIL LAMP BRACKET 패스너
13.675	BULB, TURN LIGHT 전구
15.744	LAMP ASSEMBLY, COMBINATION STOP & TAIL 램프



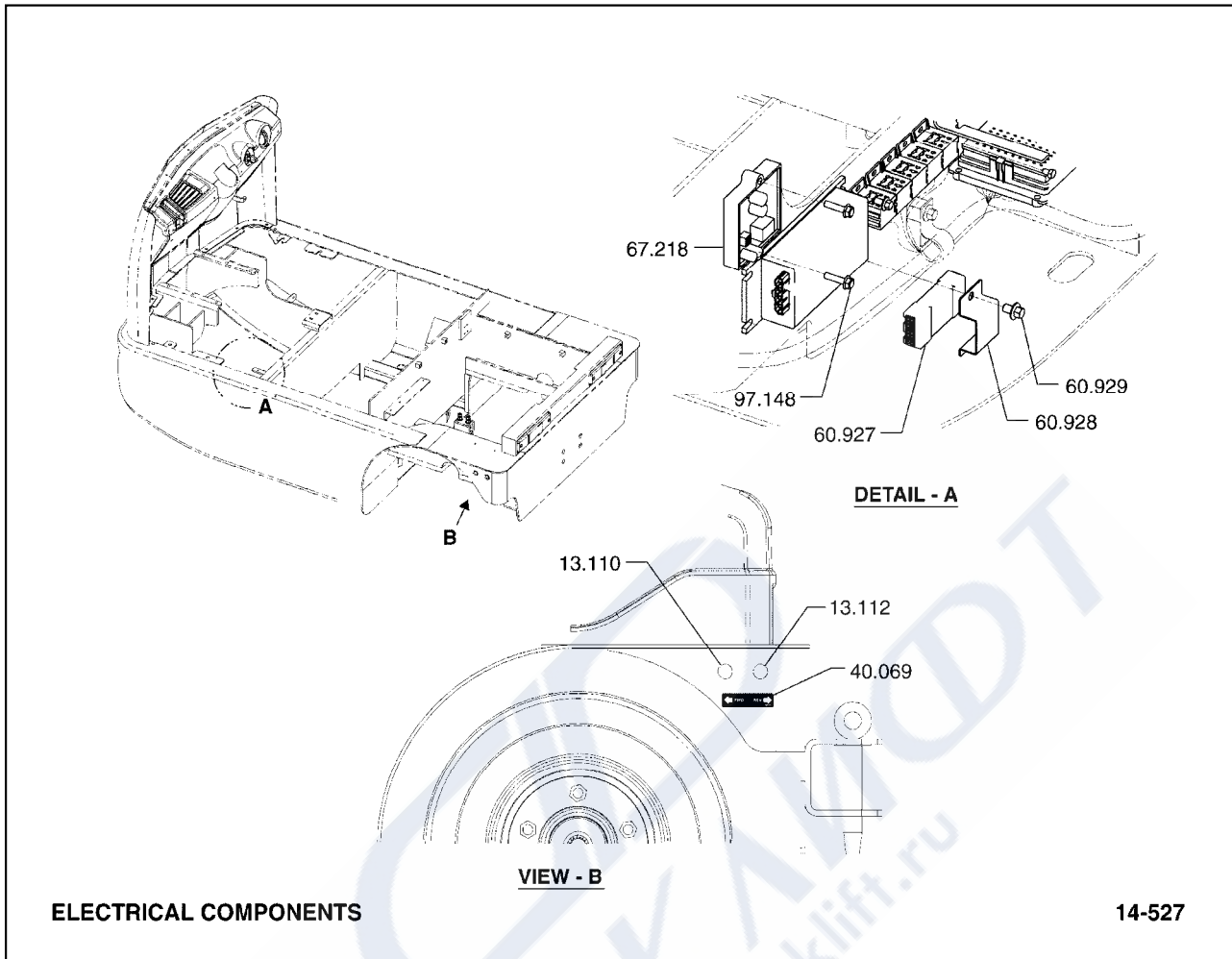
ELECTRICAL WIRING

14-492

14.114	HARNESS, MACHINE WIRING 하네스
14.352	FUSE, CONTROL CIRCUIT 퓨즈
15.640	WIRING HARNESS, MACHINE COWL 와이어하네스
18.007	FASTENER, HARNESS CLIP 패스너
18.008	CLIP, WIRING HARNESS 클립
37.973	GROMMET, SEAT WIRING HARNESS 그로멧
47.111	COVER, WIRING PROTECTION 커버
65.289	BODY, FUSE BOX 바디
65.832	COVER, FUSE BOX 커버

95.396 FASTENER, WIRING HARNESS PROTECTION SHIELD
패스너

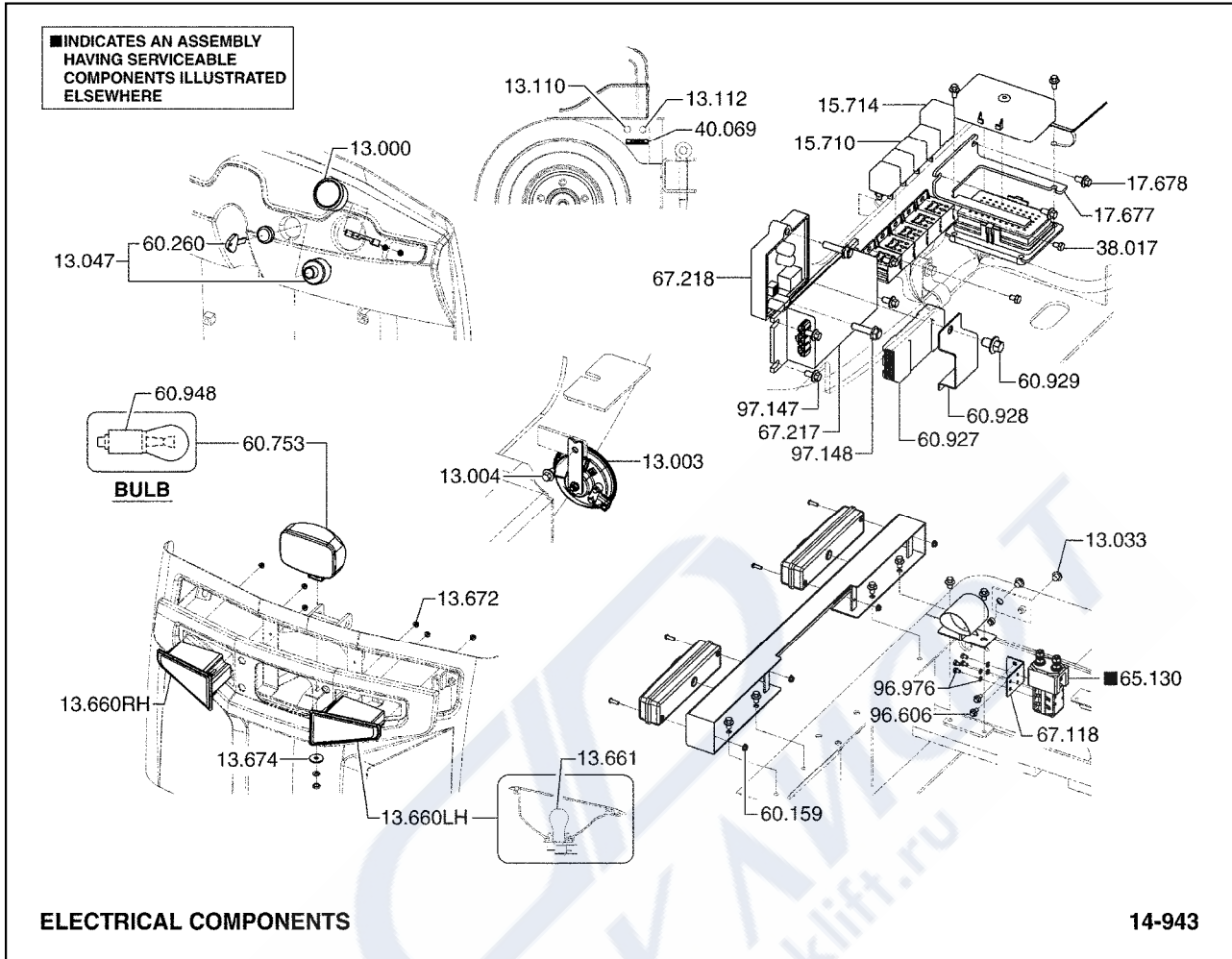
ФОРКЛИФТ
www.forklift.ru



ELECTRICAL COMPONENTS

14-527

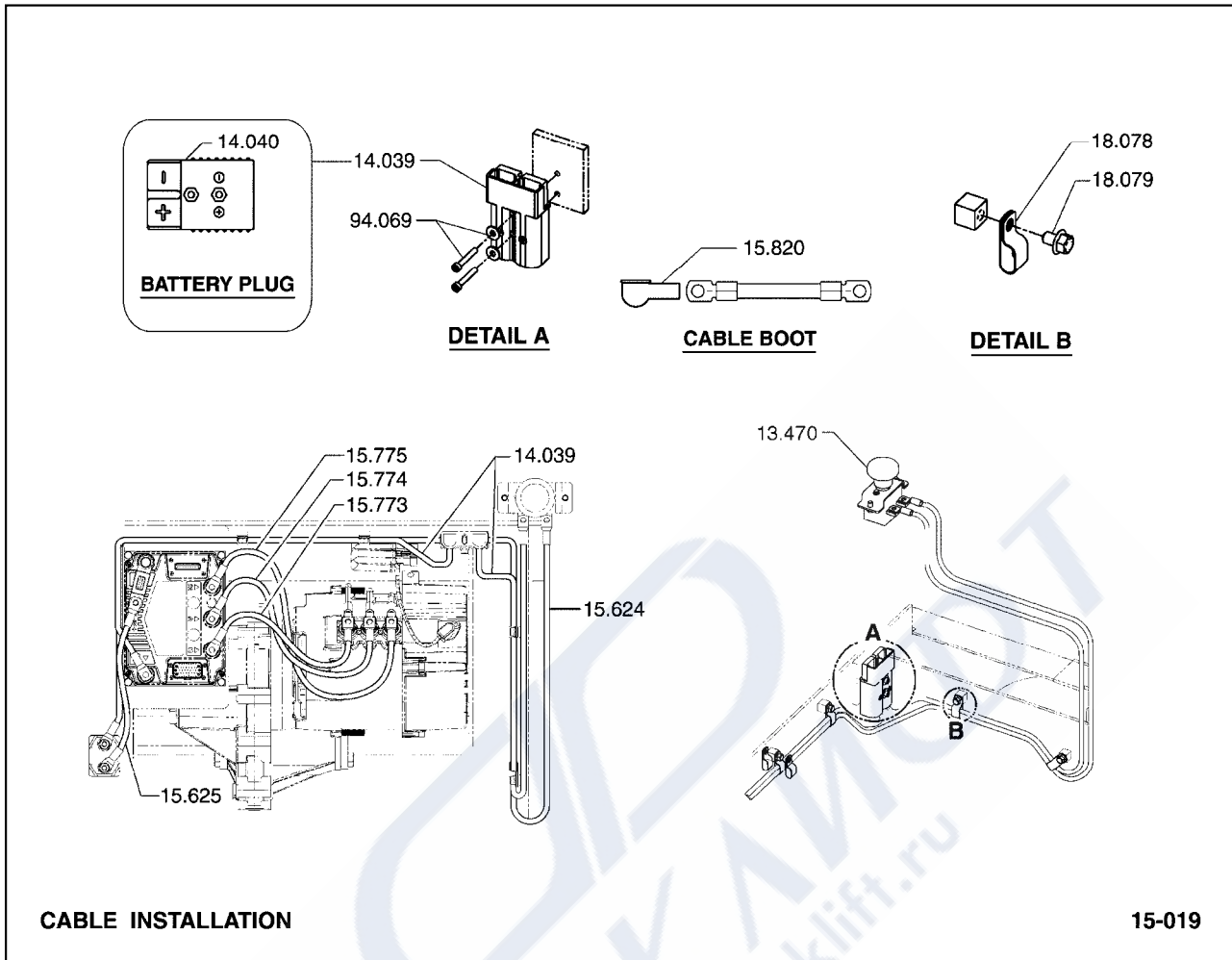
13.110	SWITCH, DIRECTIONAL CONTROL (FORWARD) 스위치
13.112	SWITCH, DIRECTIONAL CONTROL (REVERSE) 스위치
40.069	DECAL, FORWARD-BACKWARD 데칼
60.927	CARD, ELECTRIC SIGNAL CONTROL 카드
60.928	BRACKET, ELECTRIC SIGNAL CONTROL CARD 브라켓
60.929	FASTENER, ELECTRIC SIGNAL CONTROL CARD 패스너
67.218	CONVERTER, DC-DC FOR INSTRUMENT PANEL 컨버터
97.148	FASTENER, DC-DC CONVERTER FOR INSTRUMENT PANEL 패스너



13.000	PANEL, INSTRUMENT CLUSTER 판넬	38.017	FASTENER, RELAY MOUNTING TO BRACKET 패스너
13.003	HORN 호른	40.069	DECAL, FORWARD-BACKWARD 데칼
13.004	FASTENER, HORN MOUNTING BRACKET 패스너	60.159	NUT, STOP & TAIL LAMP 너트
13.033	PLUG - BUTTON PANEL HOLE 플러그	60.260	KEY, CIRCUIT LOCKING SWITCH 키
13.047	SWITCH, CIRCUIT LOCKING 스위치	60.753	LIGHT, WORK 라이트
13.110	SWITCH, DIRECTIONAL CONTROL (FORWARD) 스위치	60.927	CARD, ELECTRIC SIGNAL CONTROL 카드
13.112	SWITCH, DIRECTIONAL CONTROL (REVERSE) 스위치	60.928	BRACKET, ELECTRIC SIGNAL CONTROL CARD 브라켓
13.660	LIGHT, TURN SIGNAL 라이트	60.929	FASTENER, ELECTRIC SIGNAL CONTROL CARD 패스너
13.661	BULB, TURN SIGNAL LIGHT 전구	60.948	BULB, WORK LIGHT 전구
13.672	FASTENER, TURN LIGHT 패스너	65.130	CONTACTOR ASSEMBLY, LINE 컨택터
13.674	FASTENER, TURN LIGHT BRACKET 패스너	67.118	BRACKET, LINE CONTACTOR MOUNTING 브라켓
15.710	RELAY, ELECTRICAL 릴레이	67.217	CONVERTER, DC-DC FOR ACCESSORY 컨버터
15.714	FLASHER, UNIT 플래셔	67.218	CONVERTER, DC-DC FOR INSTRUMENT PANEL 컨버터
17.677	BRACKET, FUSE BOX MOUNTING 브라켓	96.606	FASTENER, LINE CONTACTOR MOUNTING BRACKET 패스너
17.678	FASTENER, FUSE BOX MOUNTING BRACKET 패스너	96.976	FASTENER, CONTACTOR MOUNTING 패스너

- 97.147 FASTENER, DC-DC CONVERTER FOR ACCESSORY
패스너
- 97.148 FASTENER, DC-DC CONVERTER FOR INSTRUMENT PANEL
패스너





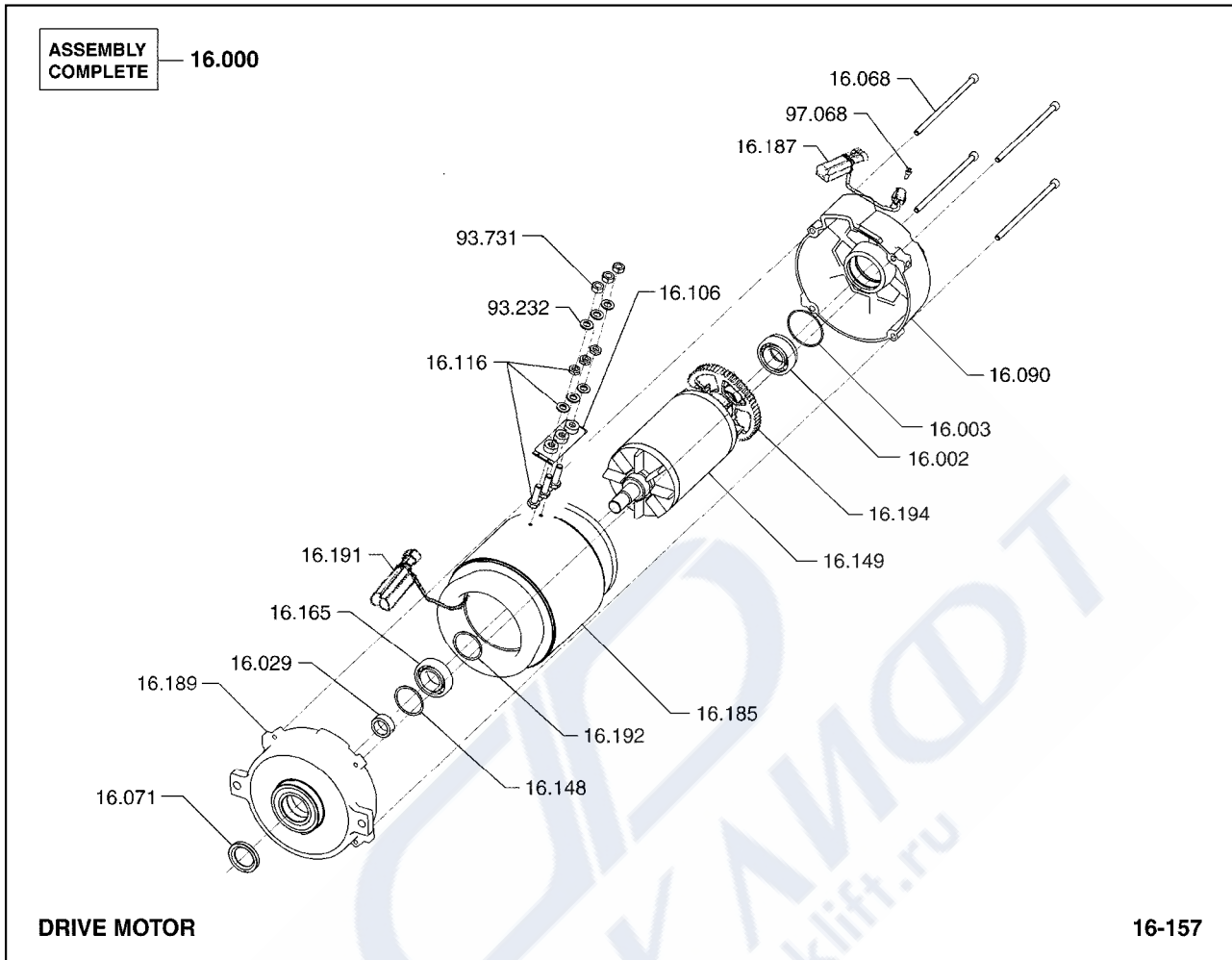
CABLE INSTALLATION

15-019

- 13.470 SWITCH, DISCONNECT
스위치
- 14.039 RECEPTACLE & LEAD ASSEMBLY, BATTERY
리셉터클& 리드
- 14.040 RECEPTACLE, BATTERY
리셉터클
- 15.624 CABLE, CONTACTOR L-
케이블
- 15.625 CABLE, CONTACTOR L+
케이블
- 15.773 CABLE, DRIVE MOTOR (TMUL TO TCUL)
케이블
- 15.774 CABLE, DRIVE MOTOR (TMVL TO TCVL)
케이블
- 15.775 CABLE, DRIVE MOTOR (TMWL TO TCWL)
케이블
- 15.820 BOOT, CABLE
부트

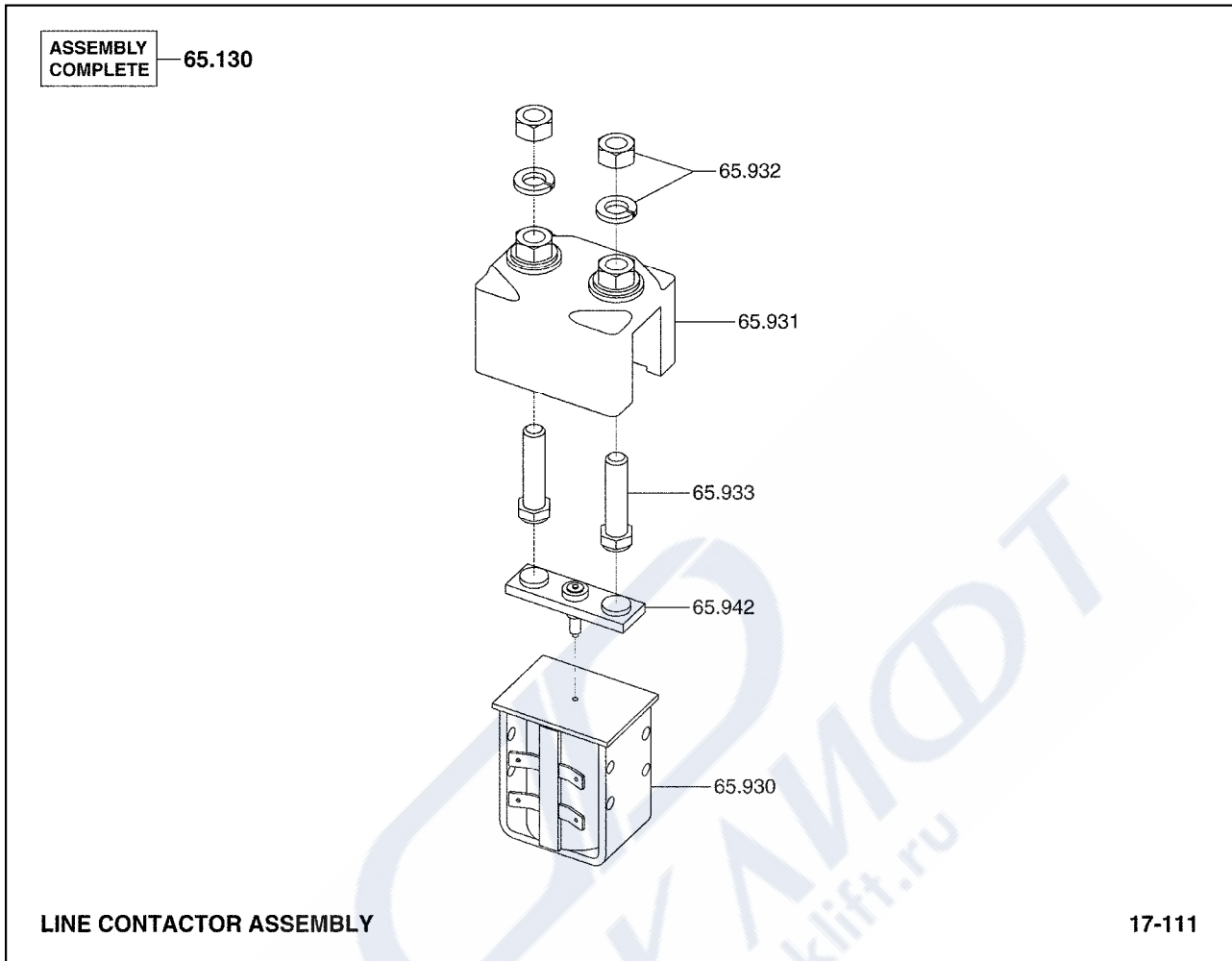
18.078	CLIP, DRIVE MOTOR CABLE 클립
18.079	FASTENER, DRIVE MOTOR CABLE CLIP 패스너
94.069	FASTENER, BATTERY RECEPTACLE 패스너



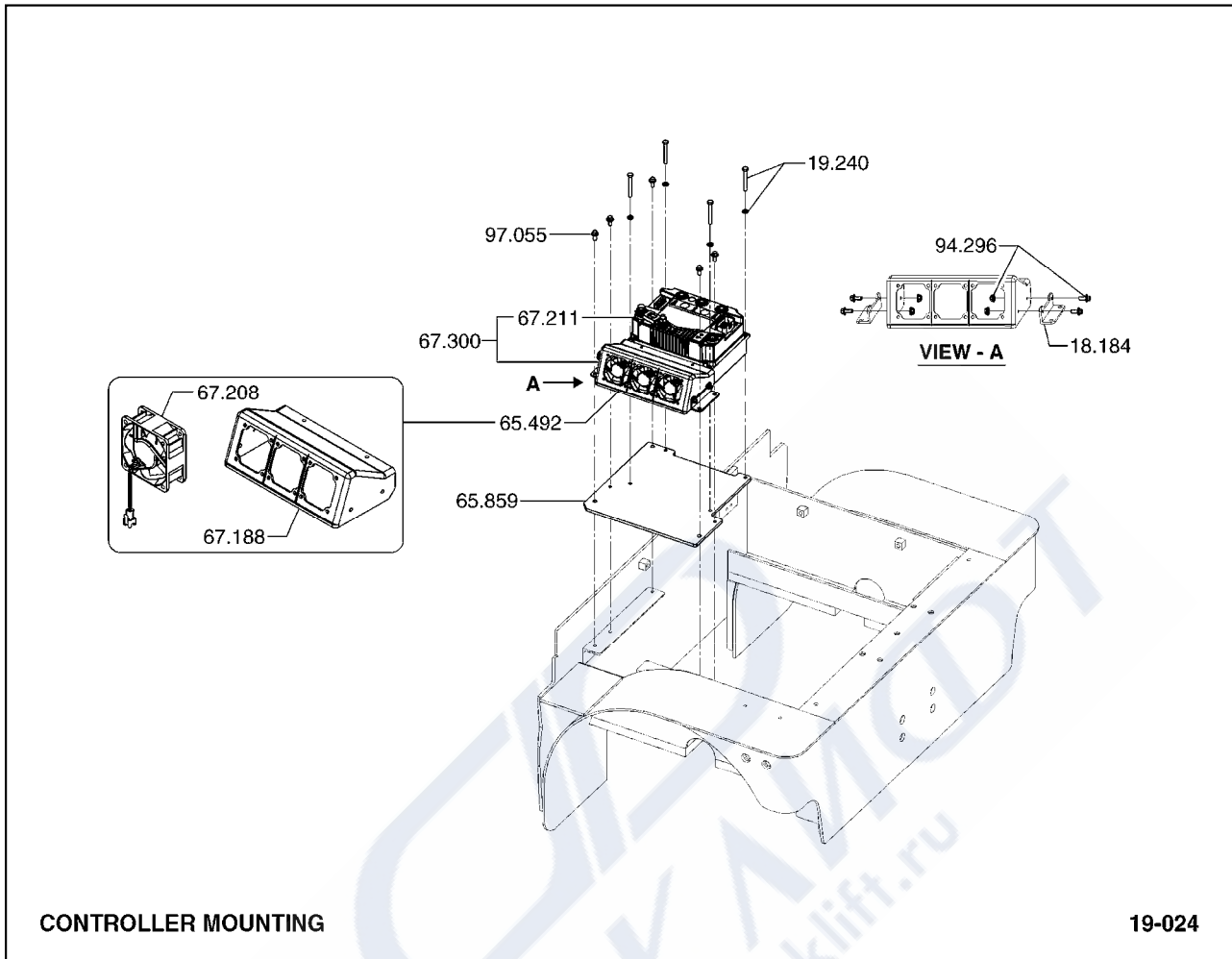


16.000	MOTOR ASSEMBLY, DRIVE 모터
16.002	BEARING, DRIVE MOTOR COMMUTATOR END 베어링
16.003	WASHER, DRIVE MOTOR COMMUTATOR END THRUST 와셔
16.029	SEAL, DRIVE MOTOR ARMATURE SHAFT DRIVE END 씰
16.068	FASTENER, DRIVE MOTOR END FRAME 패스너
16.071	SEAL, DRIVE MOTOR TO AXLE 씰
16.090	COVER, DRIVE MOTOR COMMUTATOR END 커버
16.106	TERMINAL BLOCK, DRIVE MOTOR 터미널블록
16.116	FASTENER, DRIVE MOTOR TERMINAL 패스너

16.148	RING, DRIVE MOTOR ROTOR BEARING 링
16.149	ROTOR, DRIVE MOTOR 로터
16.165	BEARING, DRIVE MOTOR DRIVE END 베어링
16.185	STATOR ASSY, DRIVE MOTOR 스테이터
16.187	SENSOR KIT, DRIVE MOTOR ROTOR 센서키트
16.189	COVER, DRIVE MOTOR DRIVE END 커버
16.191	SENSOR KIT, DRIVE MOTOR TEMPERATURE 센서키트
16.192	RING, DRIVE MOTOR ARMATURE 링
16.194	PLATE, DRIVE MOTOR ROTOR SENSOR TARGET 플레이트
93.232	WASHER, DRIVE MOTOR TERMINAL BLOCK FASTENER 와셔
93.731	NUT, DRIVE MOTOR FASTENER 너트
97.068	FASTENER, DRIVE MOTOR SPEED SENSOR 패스너



65.130	CONTACTOR ASSEMBLY, LINE 컨택터
65.930	ASSEMBLED COIL & MAGNET FRAME, LINE CONTACTOR 코일& 마그넷
65.931	TOP COVER, LINE CONTACTOR 탑커버
65.932	FASTENER, LINE CONTACTOR 패스너
65.933	CONTACT KIT, LINE CONTACTOR 컨택트키트
65.942	CONTACT SET, LINE CONTACTOR 컨택트세트



CONTROLLER MOUNTING

19-024

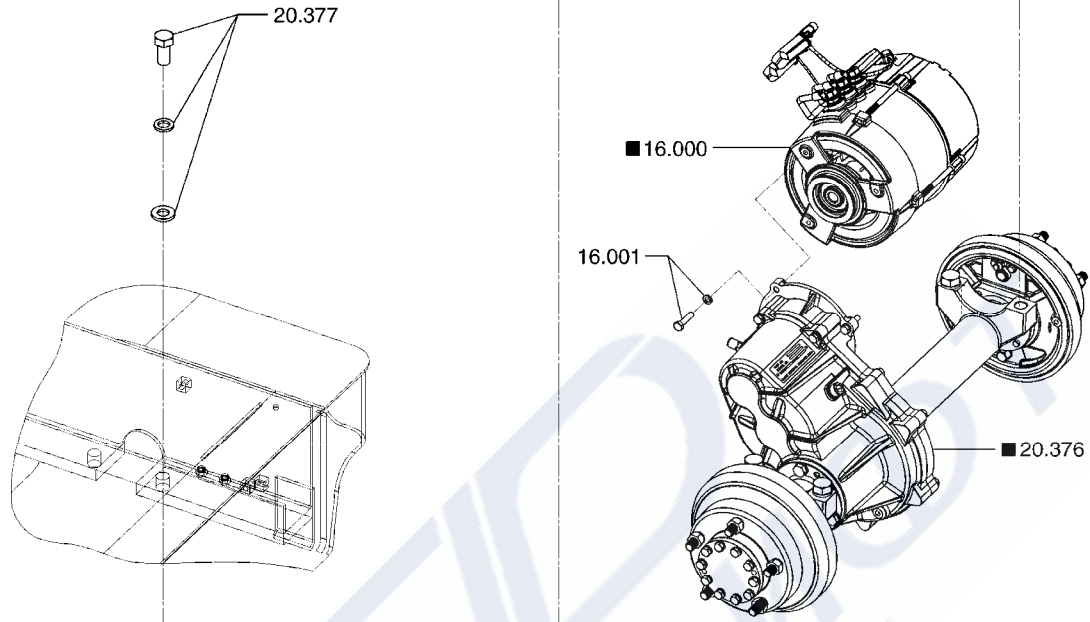
- | | |
|--------|---|
| 18.184 | BRACKET, CONTROLLER FAN MOUNTING
브라켓 |
| 19.240 | FASTENER, CONTROL PANEL MOUNTING
패스너 |
| 65.492 | FAN, ELECTRICAL COOLING
팬 |
| 65.859 | COVER, CONTROL PANEL MOUNTING BRACKET
커버 |
| 67.188 | COVER, FAN
커버 |
| 67.208 | FAN, COOLING
팬 |
| 67.211 | FUSE, TRACTION CONTROLLER
퓨즈 |
| 67.300 | CONTROLLER, TRACTION
컨트롤러 |
| 94.296 | FASTENER, ELECTRICAL COOLING FAN
패스너 |

97.055

FASTENER, FAN BRACKET MOUNTING
패스너



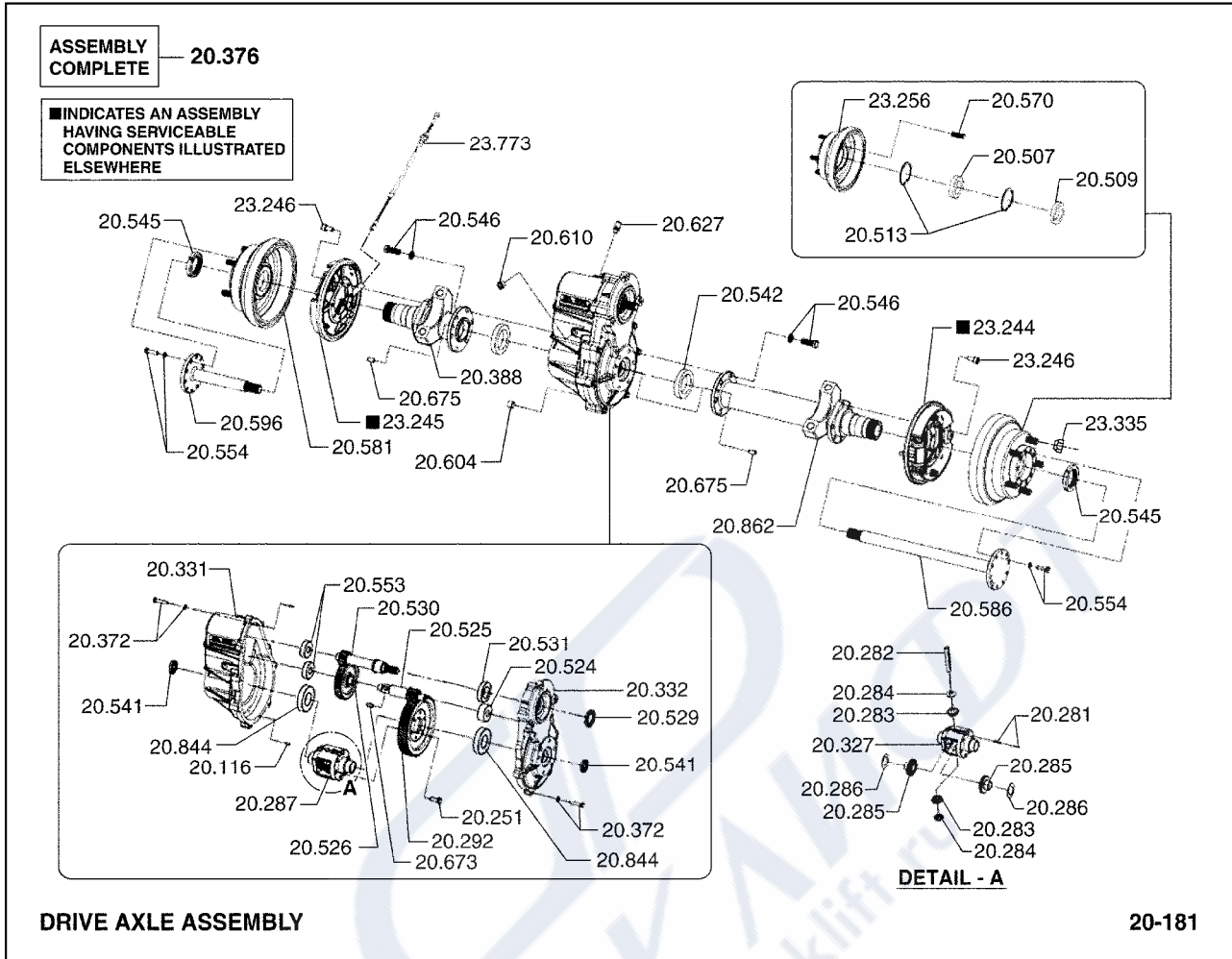
■ INDICATES AN ASSEMBLY
HAVING SERVICEABLE
COMPONENTS ILLUSTRATED
ELSEWHERE



DRIVE MOTOR AND DRIVE AXLE MOUNTING

20-179

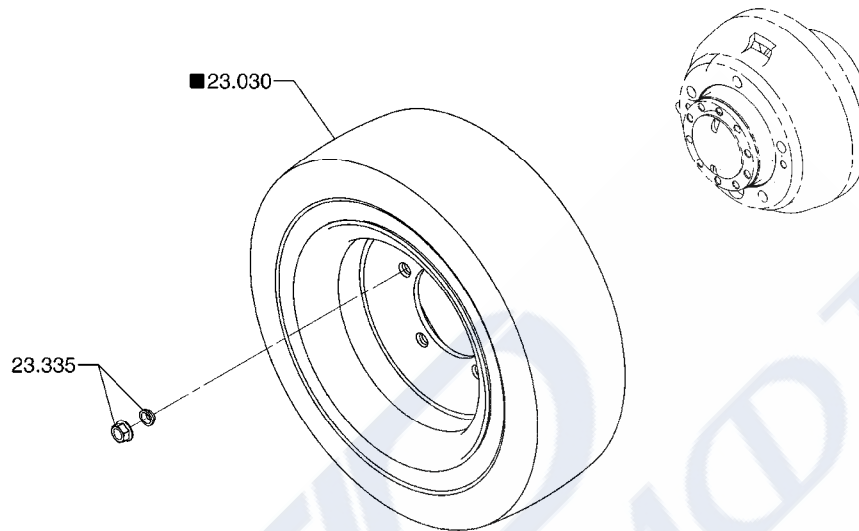
16.000	MOTOR ASSEMBLY, DRIVE 모터
16.001	FASTENER, DRIVE MOTOR 패스너
20.376	AXLE ASSEMBLY, DRIVE 드라이브액슬
20.377	FASTENER, DRIVE AXLE TO FRAME 패스너



20.116	PIN, DRIVE AXLE HOUSING & DIFF ALIGNMENT 핀	20.388	HOUSING, DRIVE AXLE (LH) 하우징
20.251	FASTENER, DIFFERENTIAL DRIVE GEAR 패스너	20.507	BEARING, INTERNAL GEAR HUB PINION SHAFT - OUTBOA 베어링
20.281	FASTENER, DIFF SIDE PINION PIN 패스너	20.509	BEARING, INTERNAL GEAR HUB PINION SHAFT - INBOAR 베어링
20.282	SPIDER, DIFFERENTIAL PINION 스파이더	20.513	RETAINER, DRIVE AXLE HUB BEARING 리테이너
20.283	GEAR, DIFFERENTIAL SIDE PINION 기어	20.524	BEARING, DRIVE AXLE INTERMEDIATE GEAR SHAFT 베어링
20.284	WASHER, DIFF SIDE PINION GEAR THRUST 와셔	20.525	SHAFT, DRIVE AXLE INTERMEDIATE GEAR 샤프트
20.285	GEAR, DIFFERENTIAL SIDE 기어	20.526	GEAR, DRIVE AXLE INTERMEDIATE 기어
20.286	WASHER, DIFFERENTIAL SIDE GEAR THRUST 와셔	20.529	SEAL, DRIVE AXLE INPUT GEAR SHAFT 씰
20.287	CASE & GEAR ASSEMBLY, DIFFERENTIAL 케이스& 기어	20.530	SHAFT, DRIVE AXLE INPUT GEAR 샤프트
20.292	GEAR, DIFFERENTIAL DRIVE 기어	20.531	BEARING, DRIVE AXLE INPUT GEAR 베어링
20.327	CASE, DIFFERENTIAL 케이스	20.541	SEAL, DRIVE AXLE SPINDLE SUPPORT 씰
20.331	CASE, DRIVE AXLE CARRIER 케이스	20.542	BEARING, DRIVE AXLE SHAFT 베어링
20.332	COVER, DRIVE AXLE CARRIER 커버	20.545	FASTENER, DRIVE AXLE HUB BEARING 패스너
20.372	FASTENER, AXLE HOUSING 패스너	20.546	FASTENER, DRIVE AXLE END 패스너
20.376	AXLE ASSEMBLY, DRIVE 드라이브액셀	20.553	BEARING, DRIVE AXLE SHAFT (INBOARD) 베어링

20.554	FASTENER, DRIVE AXLE HUB CAP 패스너
20.570	FASTENER, DRIVE WHEEL MOUNTING 패스너
20.581	HUB ASSEMBLY, DRIVE AXLE 허브
20.586	SHAFT, DRIVE AXLE 샤프트
20.596	SHAFT, DRIVE AXLE (LH) 샤프트
20.604	PLUG, DRIVE AXLE HUB DRAIN 플러그
20.610	PLUG, DRIVE AXLE HUB FILLER 플러그
20.627	VENT, DIFFERENTIAL & AXLE 벤트
20.673	DOWEL PIN, DRIVE AXLE INTERNAL GEAR 다웰핀
20.675	DOWEL PIN, DRIVE AXLE END HOUSING 다웰핀
20.844	BEARING, DRIVE AXLE OUTPUT GEAR 베어링
20.862	HOUSING, DRIVE AXLE (RH) 하우징
23.244	BRAKE ASSEMBLY, RH DRIVE WHEEL 브레이크
23.245	BRAKE ASSEMBLY, LH DRIVE WHEEL 브레이크
23.246	FASTENER, BRAKE ASSEMBLY 패스너
23.256	DISK OR DRUM, DRIVE WHEEL BRAKE 디스크
23.335	FASTENER, DRIVE WHEEL 패스너
23.773	CABLE, PARKING BRAKE WHEEL END 케이블

■ INDICATES AN ASSEMBLY
HAVING SERVICEABLE
COMPONENTS ILLUSTRATED
ELSEWHERE

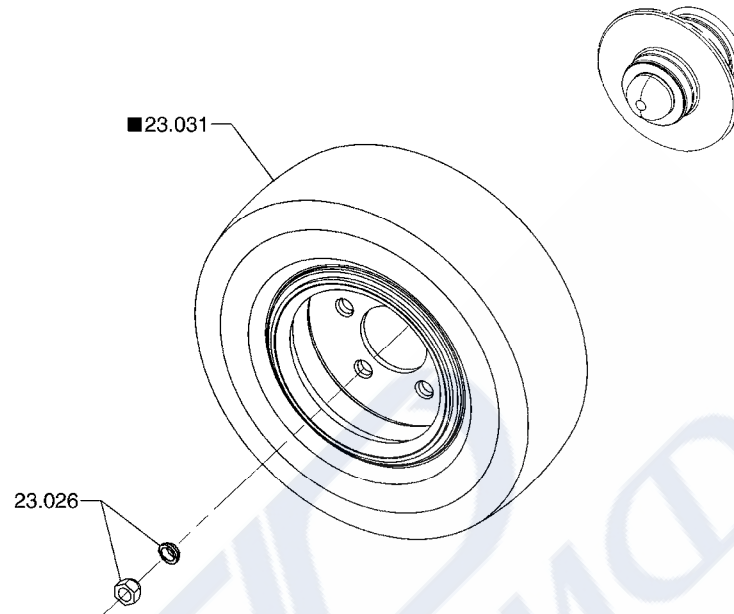


DRIVE WHEEL & TIRE MOUNTING

22-013

- | | |
|--------|---|
| 23.030 | DRIVE WHEEL AND TIRE ASSEMBLY
드라이브휠& 타이어 |
| 23.335 | FASTENER, DRIVE WHEEL
패스너 |

■ INDICATES AN ASSEMBLY
HAVING SERVICEABLE
COMPONENTS ILLUSTRATED
ELSEWHERE

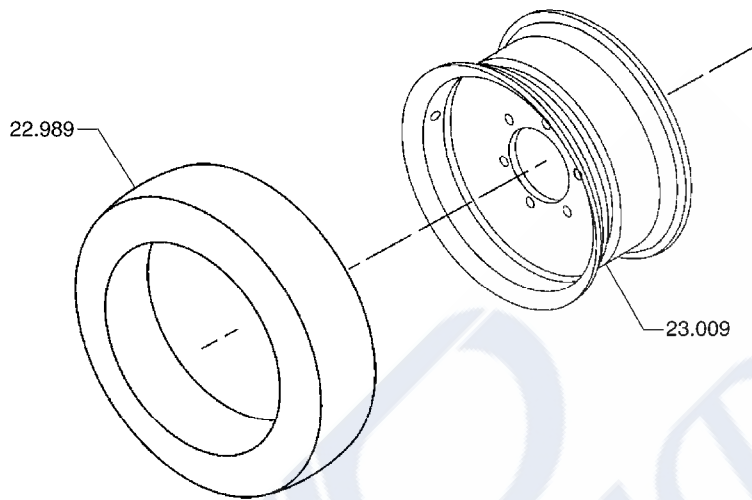


STEER WHEEL & TIRE MOUNTING

22-014

- 23.026 FASTENER, STEER WHEEL
패스너
- 23.031 STEER WHEEL AND TIRE ASSEMBLY
스티어휠& 타이어

ASSEMBLY
COMPLETE — 23.030

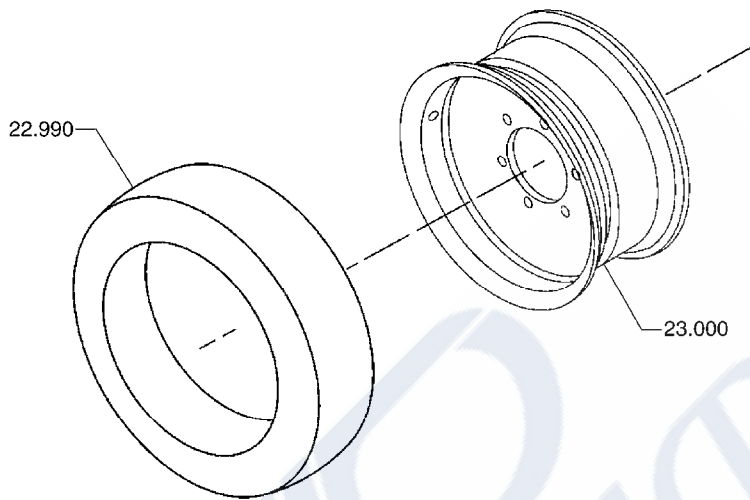


DRIVE WHEEL & TIRE (SOLID TYPE)

22-024

- | | |
|--------|---|
| 22.989 | TIRE ASSEMBLY, DRIVE
타이어 |
| 23.009 | RIM ASSEMBLY, DRIVE WHEEL
립 |
| 23.030 | DRIVE WHEEL AND TIRE ASSEMBLY
드라이브휠& 타이어 |

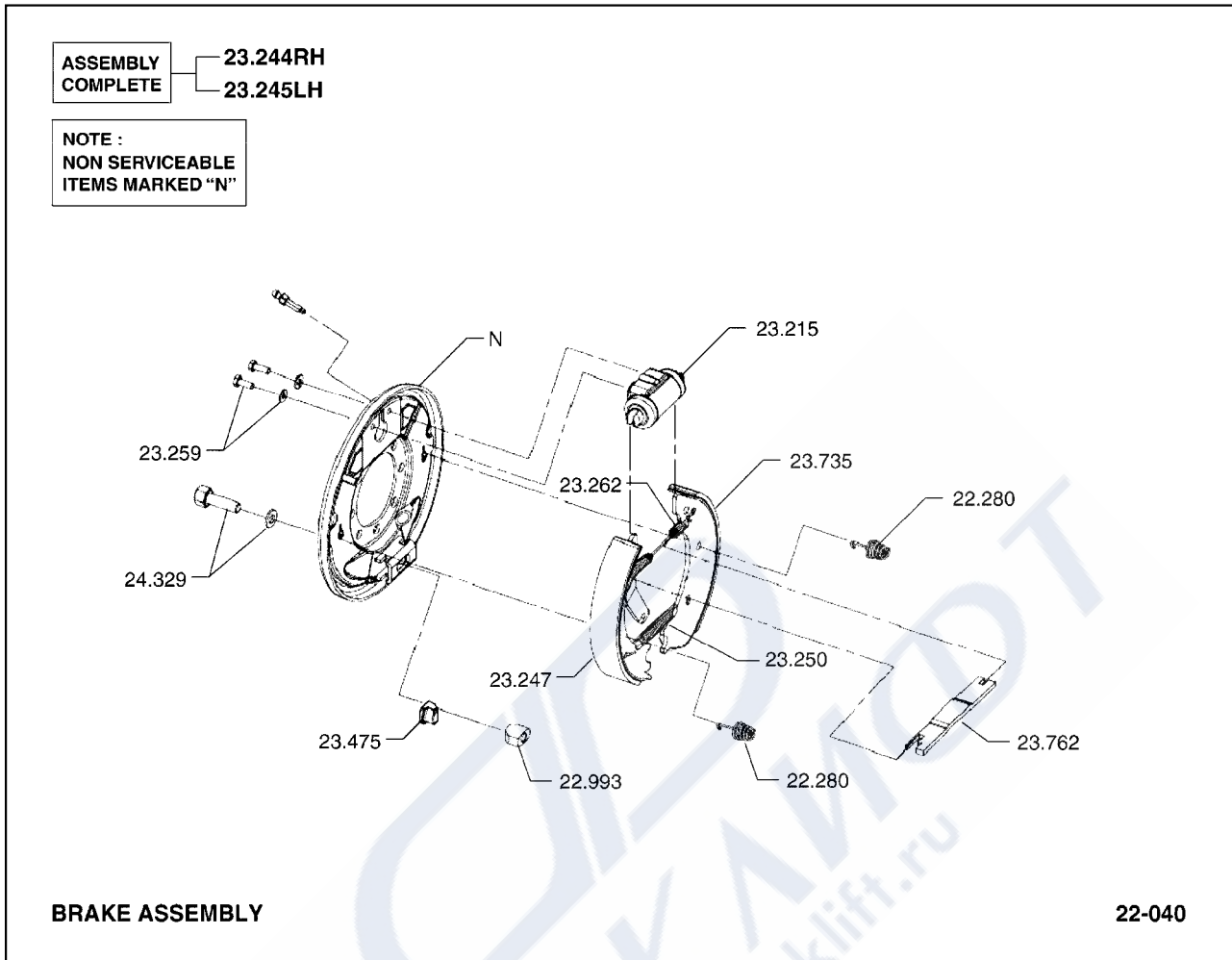
ASSEMBLY COMPLETE 23.031



STEER WHEEL & TIRE (SOLID TYPE)

22-025

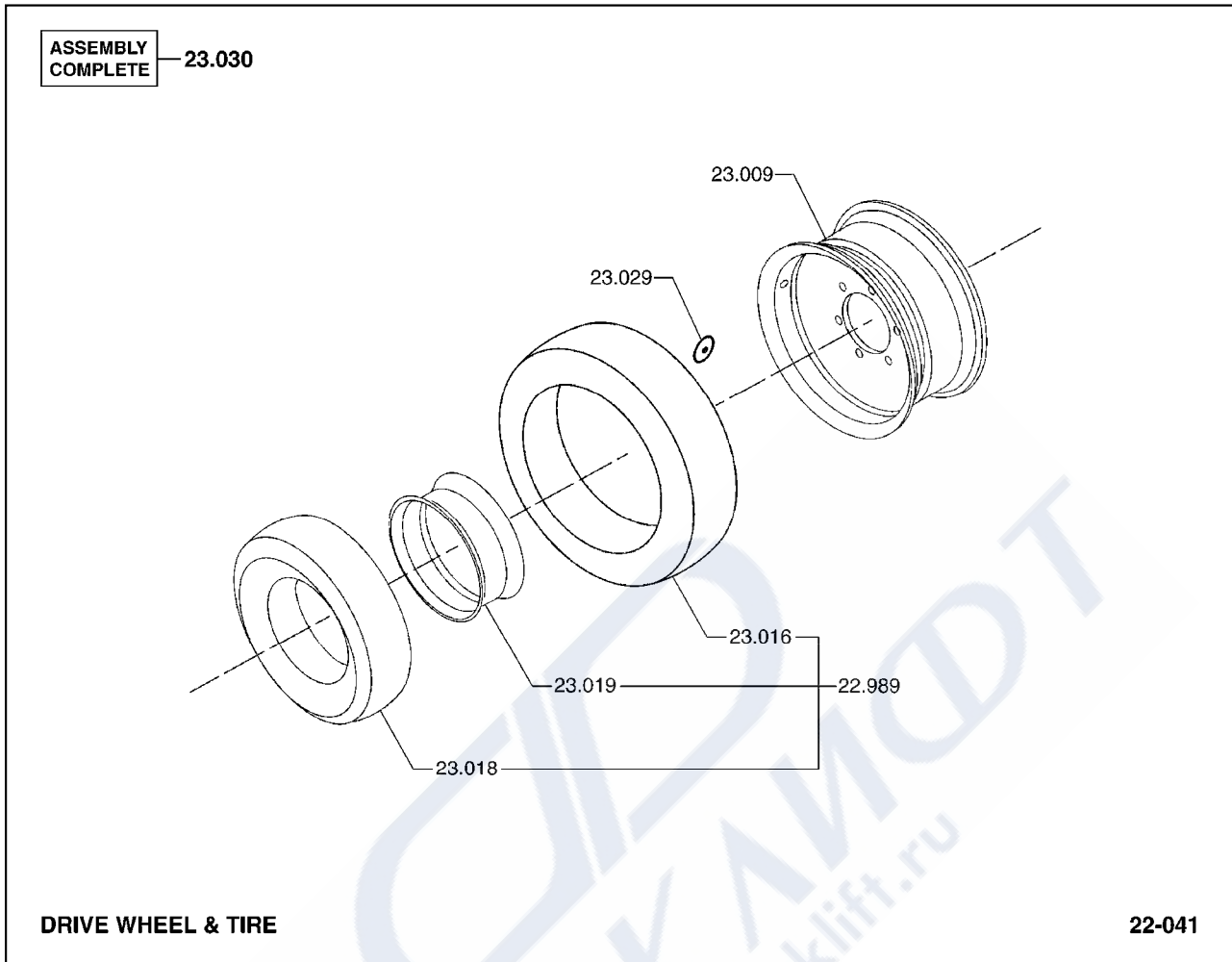
22.990	TIRE ASSEMBLY, STEER 타이어
23.000	RIM ASSEMBLY, STEER WHEEL 립
23.031	STEER WHEEL AND TIRE ASSEMBLY 스티어휠 & 타이어



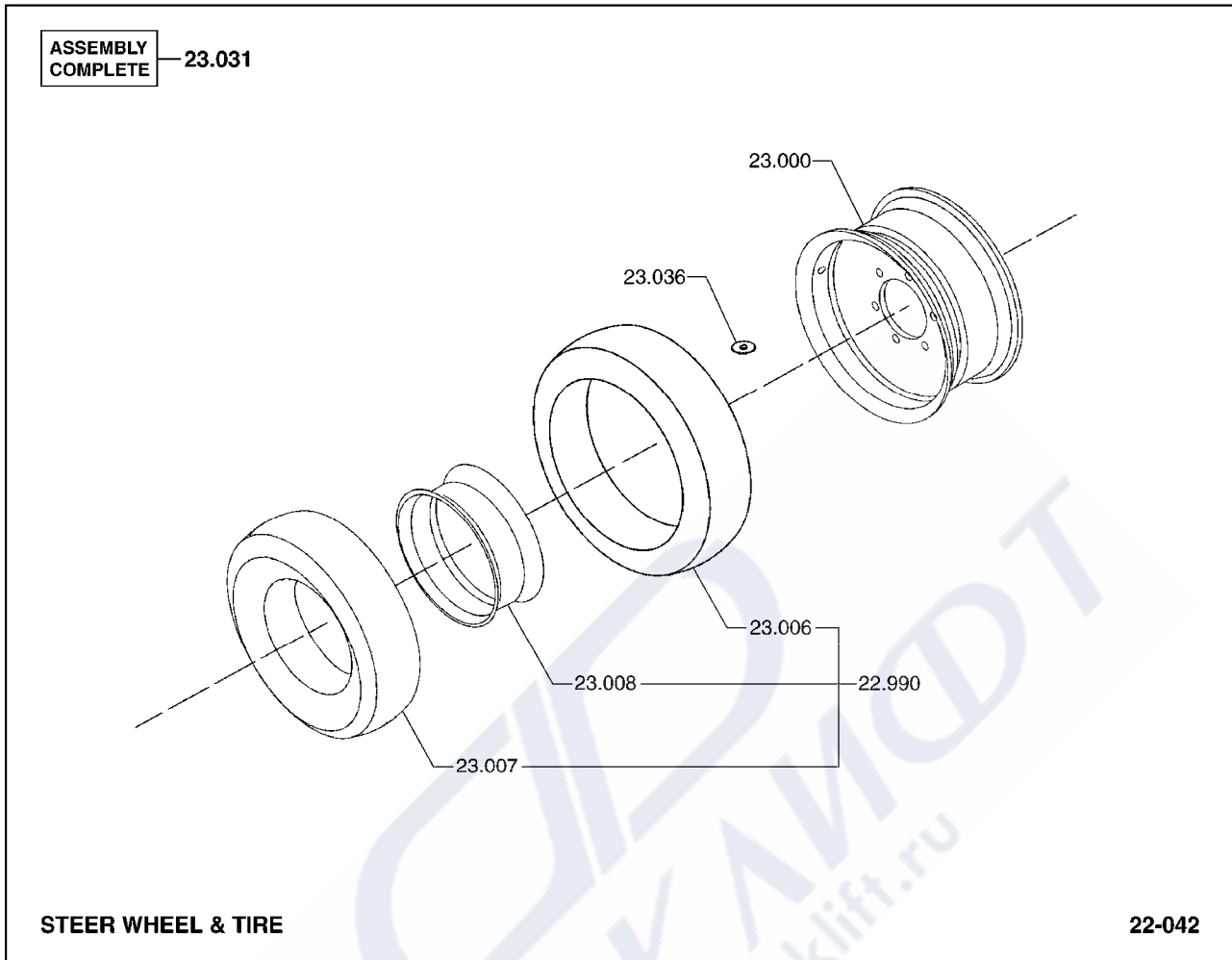
- 22.280 SPRING, BRAKE SHOE GUIDE PIN
스프링
- 22.993 ADJUSTING PIN, BRAKE
어드저스팅핀
- 23.215 CYLINDER ASSEMBLY, RH BRAKE
실린더
- 23.244 BRAKE ASSEMBLY, RH DRIVE WHEEL
브레이크
- 23.245 BRAKE ASSEMBLY, LH DRIVE WHEEL
브레이크
- 23.247 SHOE SET, BRAKE LINING
슈
- 23.250 SPRING, RH BRAKE RETURN
스프링
- 23.259 FASTENER, RH WHEEL CYLINDER
패스너
- 23.262 SPRING, BRAKE SHOE RETURN
스프링

23.475	ADJUSTOR, BRAKE SHOE 어드저스터
23.735	SHOE & LINING SET, BRAKE 슈& 라이닝
23.762	ARM, PARKING BRAKE OPERATING 암
24.329	FASTENER, BRAKE SHOE ADJUSTOR 패스너





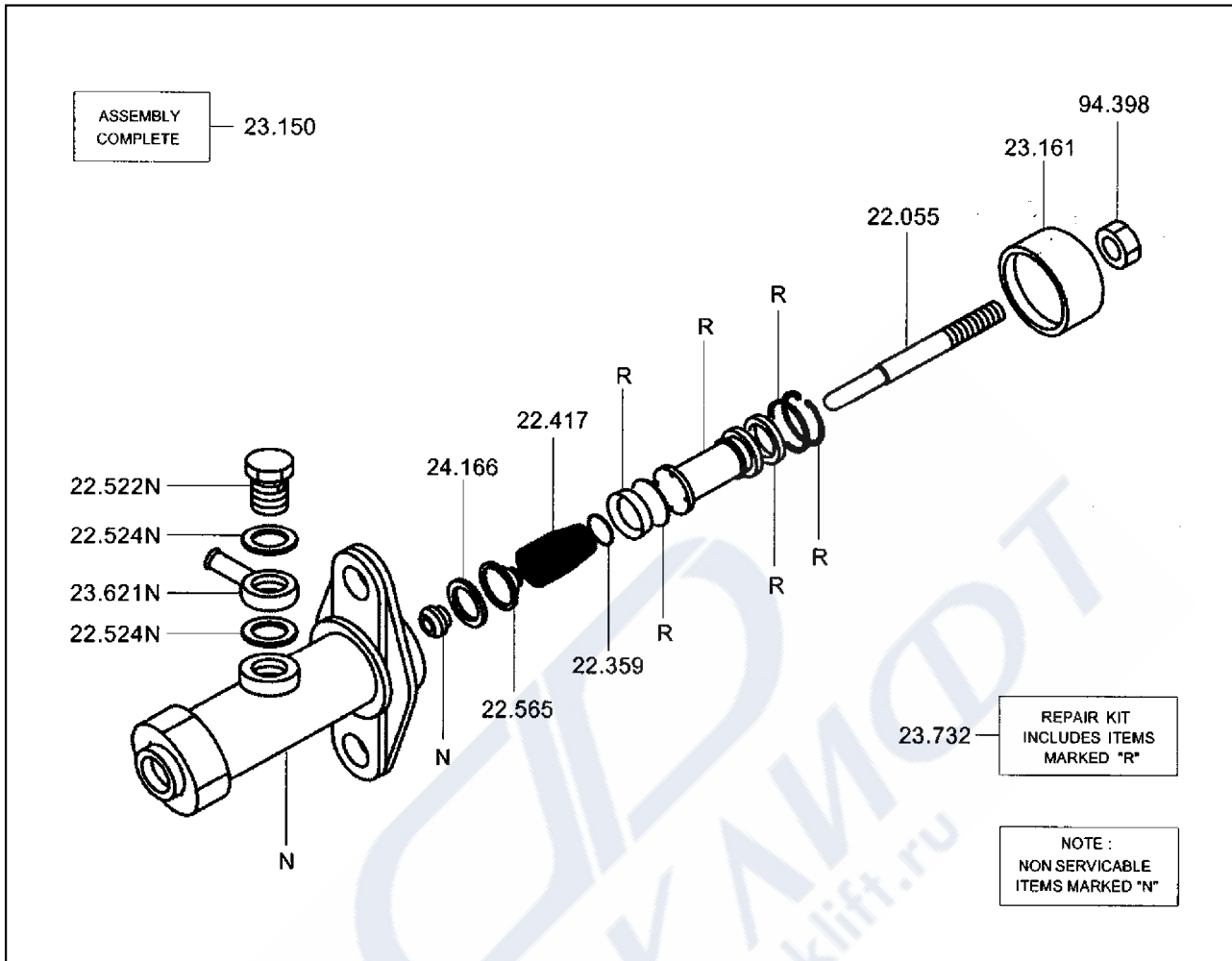
22.989	TIRE ASSEMBLY, DRIVE 타이어
23.009	RIM ASSEMBLY, DRIVE WHEEL 립
23.016	TIRE, DRIVE WHEEL 타이어
23.018	TUBE, DRIVE WHEEL 튜브
23.019	FLAP, DRIVE WHEEL TUBE 플랩
23.029	FASTENER, DRIVE WHEEL ASSEMBLY 패스너
23.030	DRIVE WHEEL AND TIRE ASSEMBLY 드라이브휠 & 타이어



STEER WHEEL & TIRE

22-042

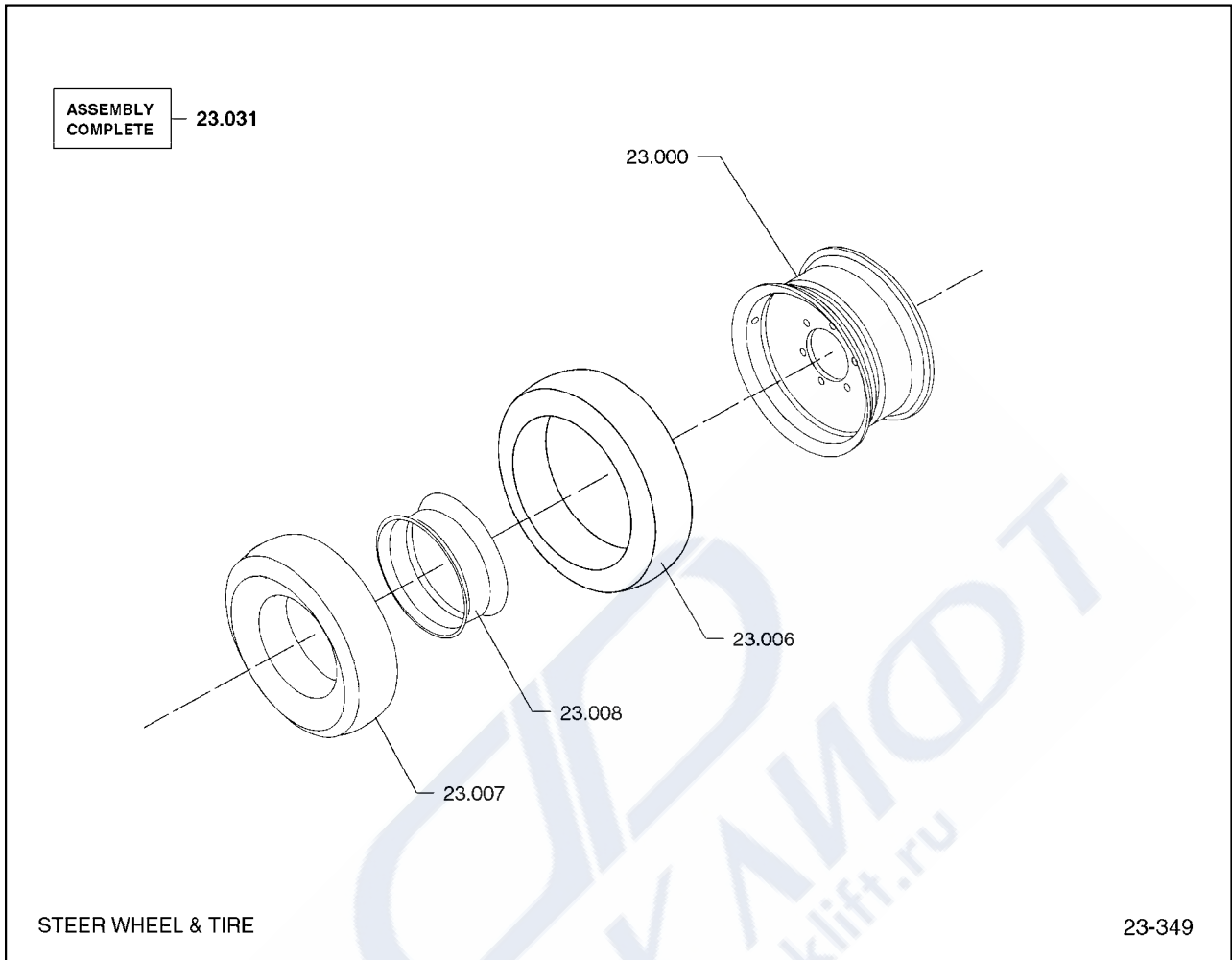
22.990	TIRE ASSEMBLY, STEER 타이어
23.000	RIM ASSEMBLY, STEER WHEEL 립
23.006	TIRE, STEER WHEEL 타이어
23.007	TUBE, STEER WHEEL 튜브
23.008	FLAP, STEER WHEEL 플랩
23.031	STEER WHEEL AND TIRE ASSEMBLY 스티어휠& 타이어
23.036	FASTENER, STEER WHEEL ASSEMBLY 패스너



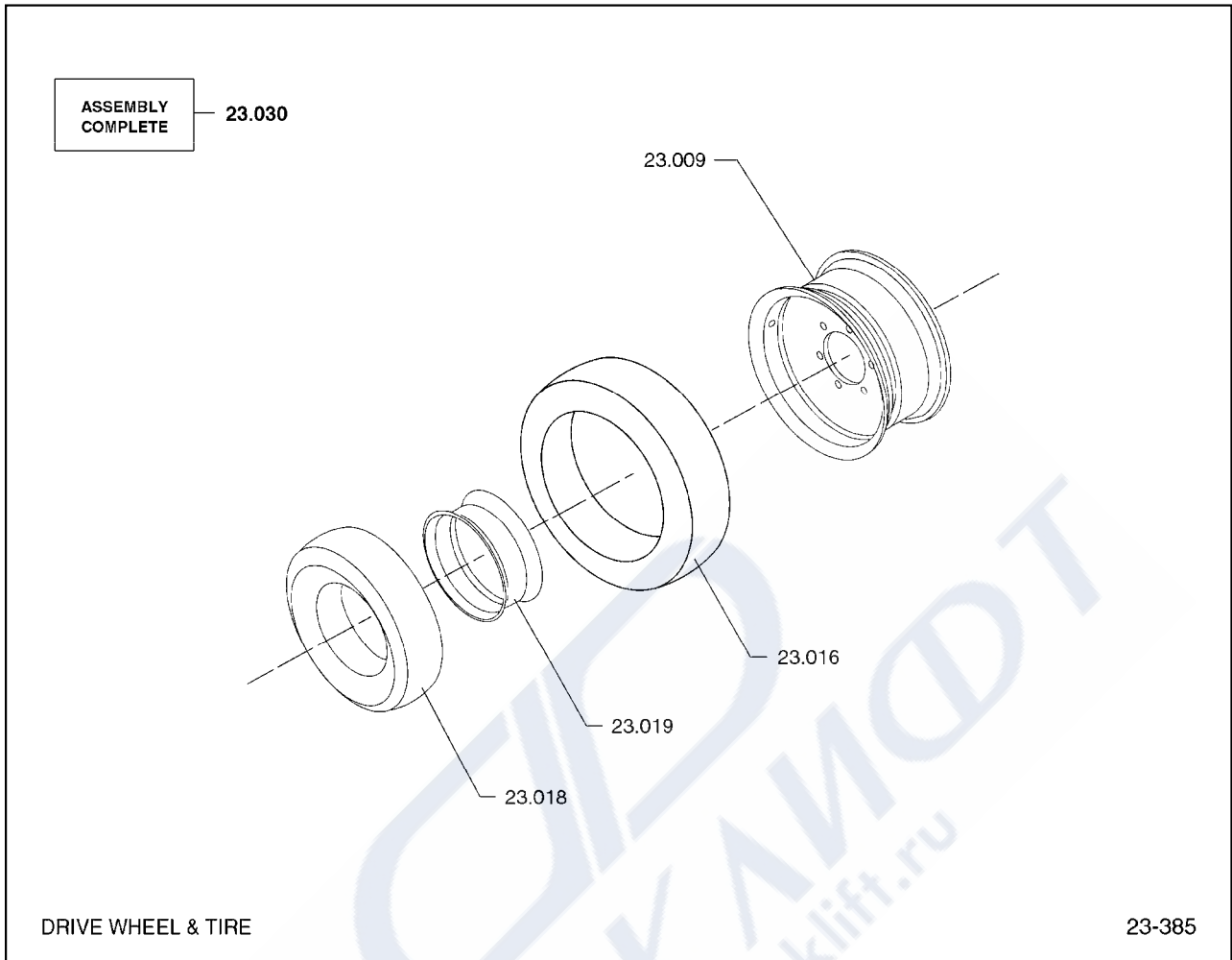
22.055	ROD, MASTER CYLINDER ACTUATING 로드
22.359	SEAT, MASTER CYLINDER BRAKE LINE PORT 시트
22.417	SPRING, MASTER CYLINDER PISTON RETURN 스프링
22.522	FITTING-BOLT, BRAKE CYLINDER INLET 피팅
22.524	SEAL, BRAKE CYLINDER INLET FITTING-BOLT 셀
22.565	VALVE ASSY, BRAKE ENERGIZER ASSY 밸브
23.150	CYLINDER ASSEMBLY, BRAKE MASTER COMPLETE 실린더
23.161	BOOT, MASTER CYLINDER 부트
23.621	FITTING, MASTER CYLINDER CAP 피팅

23.732	REPAIR KIT, BRAKE CYLINDER 리페어키트
24.166	SEAT, BRAKE VALVE PISTON SPRING 시트
94.398	NUT, BRAKE MASTER CYLINDER ACTUATING ROD FASTENER 너트

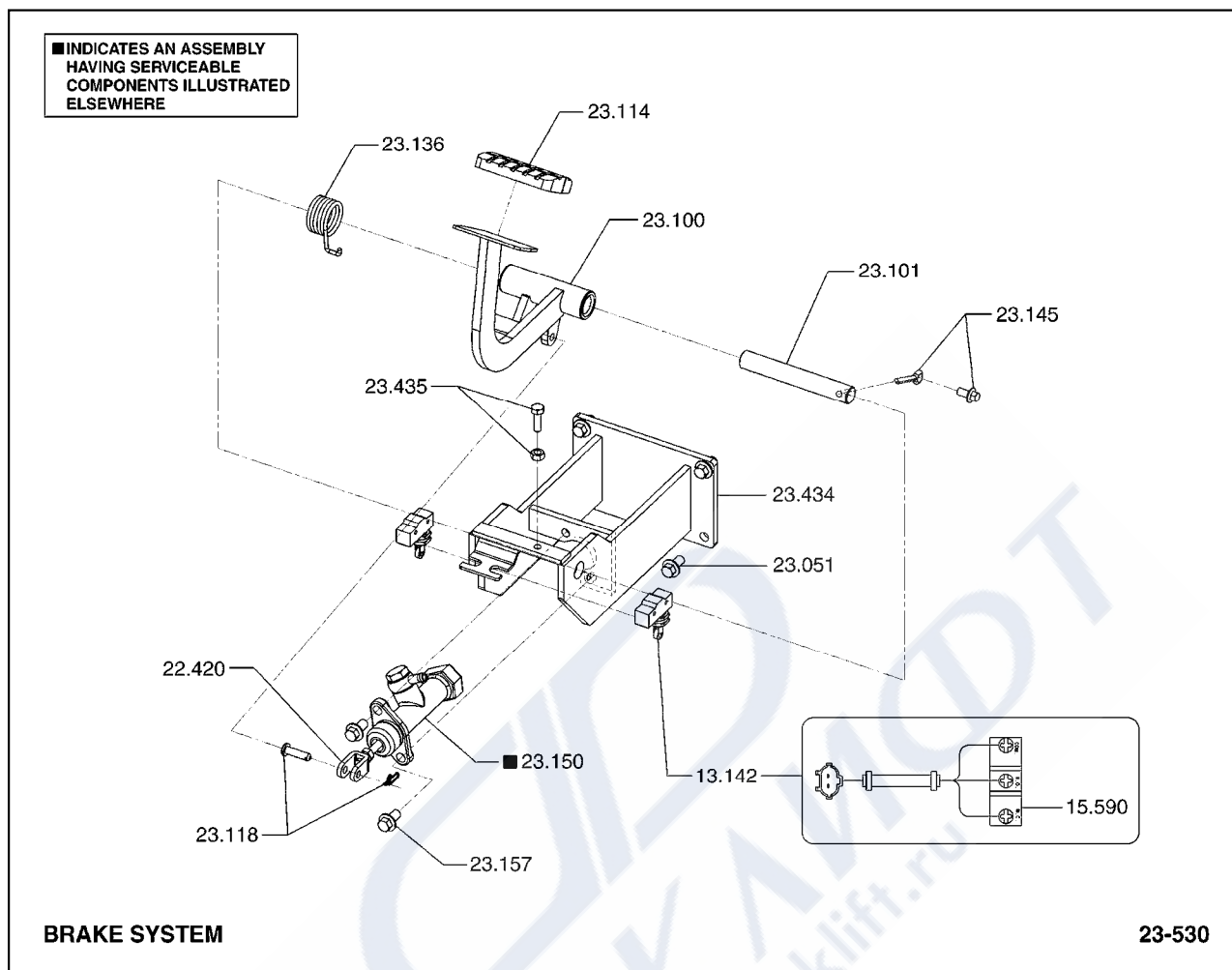




23.000	RIM ASSEMBLY, STEER WHEEL 립
23.006	TIRE, STEER WHEEL 타이어
23.007	TUBE, STEER WHEEL 튜브
23.008	FLAP, STEER WHEEL 플랩
23.031	STEER WHEEL AND TIRE ASSEMBLY 스티어휠 & 타이어



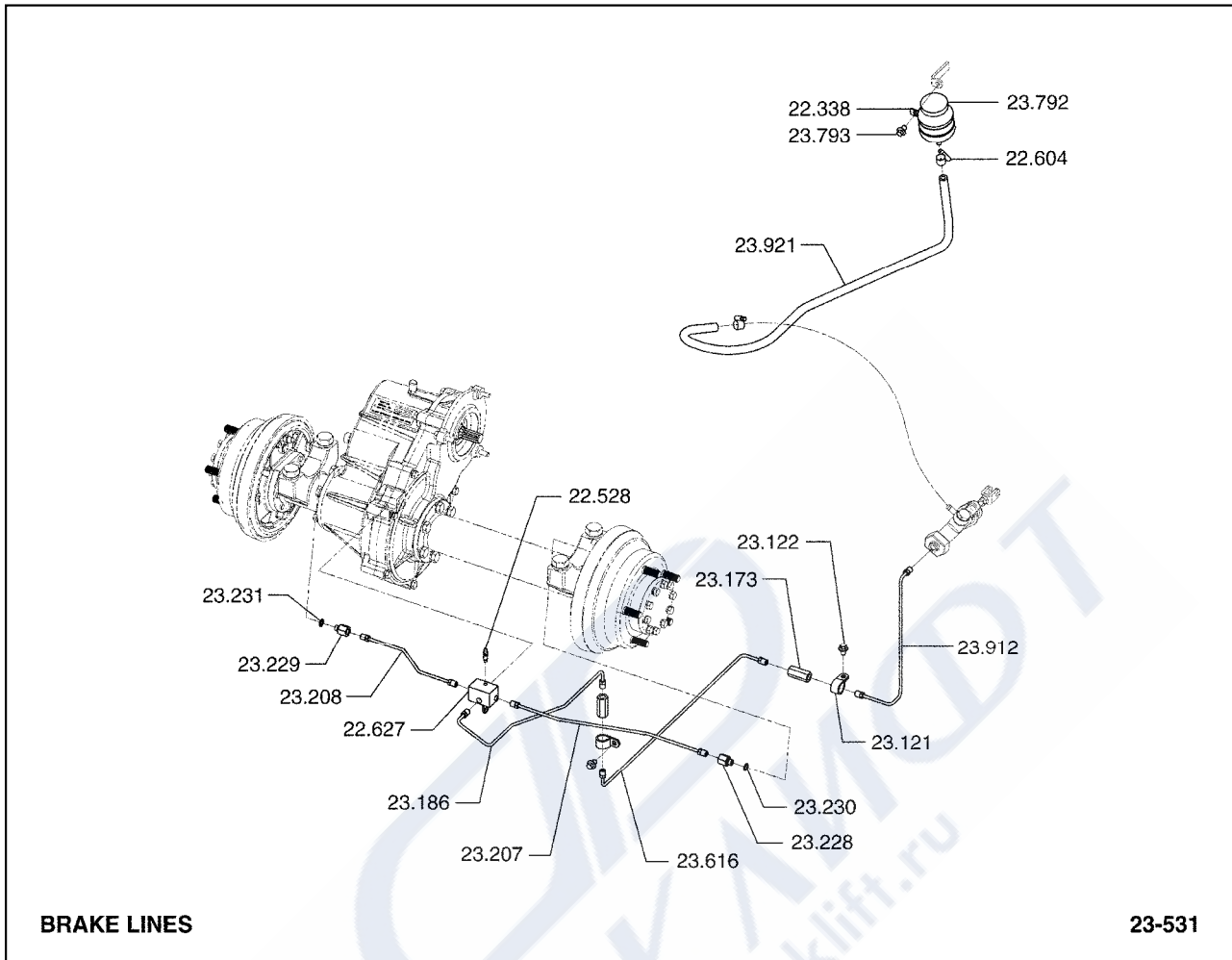
23.009	RIM ASSEMBLY, DRIVE WHEEL 립
23.016	TIRE, DRIVE WHEEL 타이어
23.018	TUBE, DRIVE WHEEL 튜브
23.019	FLAP, DRIVE WHEEL TUBE 플랩
23.030	DRIVE WHEEL AND TIRE ASSEMBLY 드라이브휠& 타이어



13.142	SWITCH, BRAKE INTERLOCK 스위치
15.590	SWITCH, BRAKE 스위치
22.420	CLEVIS, MASTER CYLINDER PUSH ROD 클레비스
23.051	FASTENER, MASTER CYLINDER MOUNTING BRACKET 패스너
23.100	PEDAL, BRAKE 페달
23.101	SHAFT, BRAKE PEDAL 샤프트
23.114	PAD & FASTENER, BRAKE PEDAL 패드& 패스너
23.118	FASTENER, BRAKE PEDAL TO MASTER CYL PUSH ROD 패스너
23.136	SPRING, BRAKE PEDAL RETURN 스프링

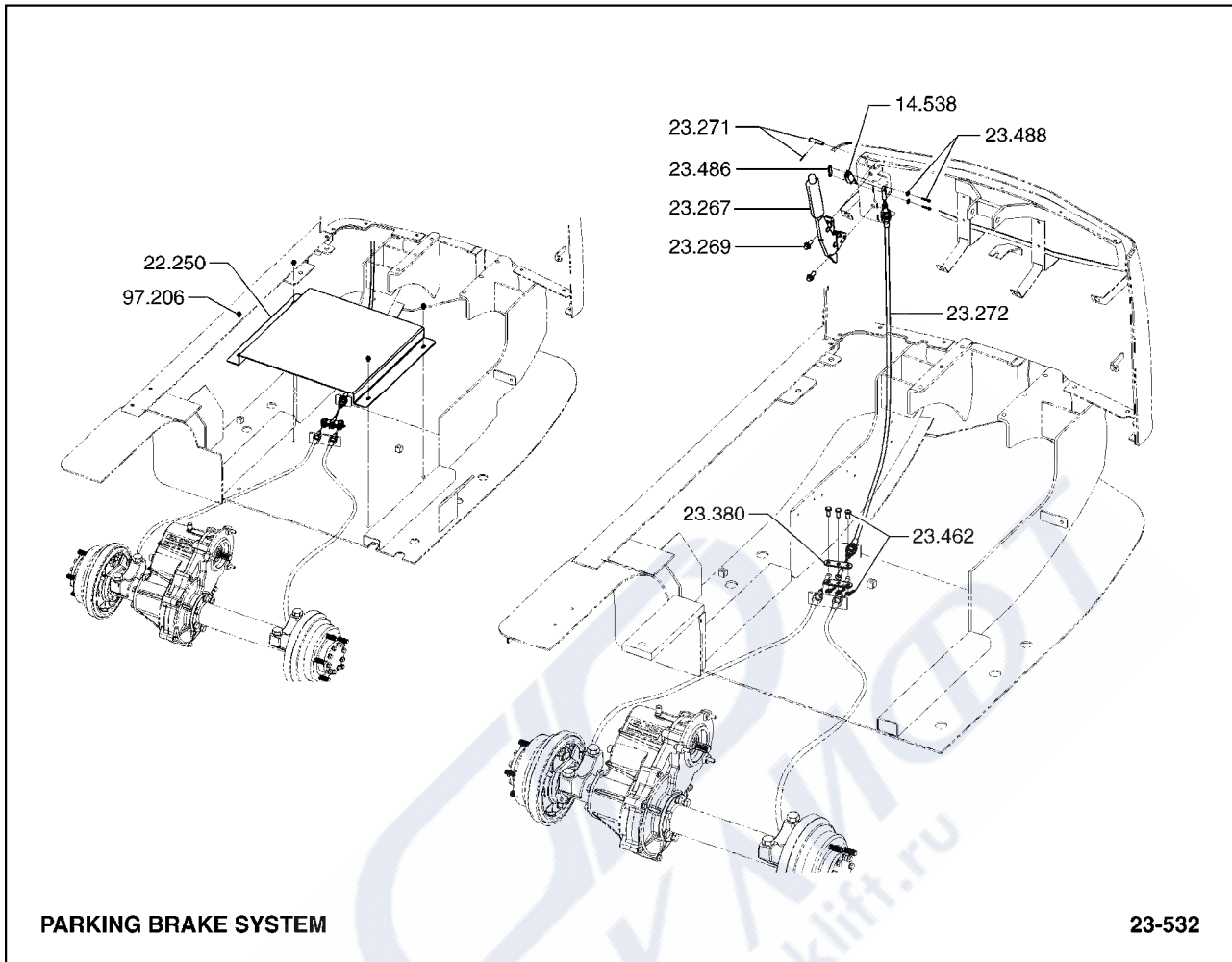
23.145	FASTENER, BRAKE PEDAL SHAFT 패스너
23.150	CYLINDER ASSEMBLY, BRAKE MASTER COMPLETE 실린더
23.157	FASTENER, BRAKE MASTER CYLINDER ATTACHING 패스너
23.434	BRACKET, BRAKE PEDAL PIVOT 브라켓
23.435	FASTENER, BRAKE PEDAL PIVOT BRACKET 패스너

ФОРКЛИФТ
www.forklift.ru



- | | |
|--------|---|
| 22.338 | CLAMP, BRAKE FLUID RESERVOIR
클램프 |
| 22.528 | BLEEDER, BRAKE LINES ADAPTOR
블리더 |
| 22.604 | CLAMP, BRAKE FLUID RESERVOIR LINE
클램프 |
| 22.627 | TEE, BRAKE LINE
티 |
| 23.121 | CLAMP, BRAKE CYLINDER OUTLET LINE
클램프 |
| 23.122 | FASTENER, BRAKE CYLINDER OUTLET LINE CLAMP
패스너 |
| 23.173 | FITTING, BRAKE MASTER CYLINDER OUTLET
피팅 |
| 23.186 | LINE, BRAKE MASTER CYLINDER OUTLET
라인 |
| 23.207 | LINE, LH DRIVE WHEEL BRAKE CYLINDER TO TEE
라인 |

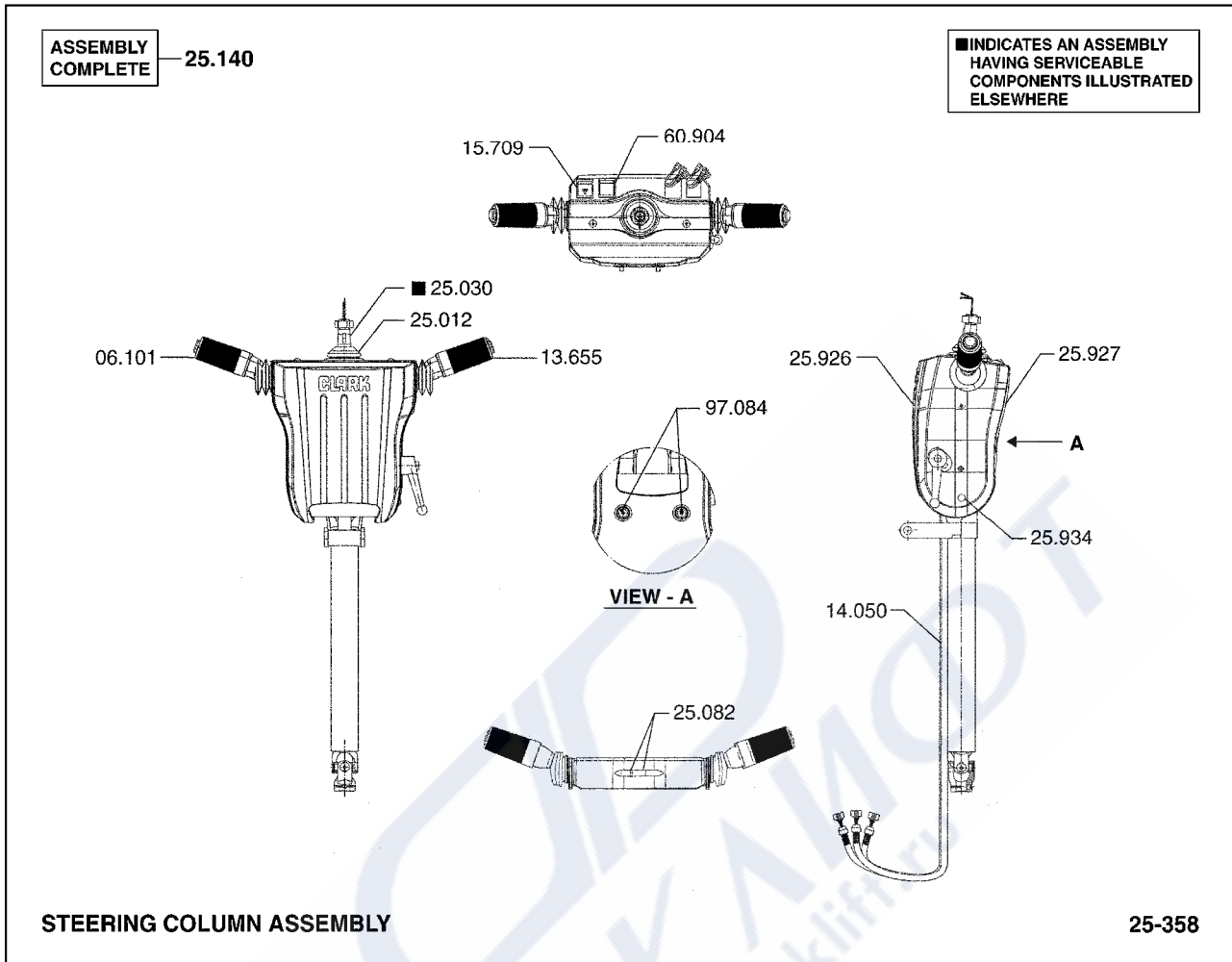
23.208	LINE, RH DRIVE WHEEL BRAKE CYLINDER TO TEE 라인
23.228	FITTING, LH BRAKE CYLINDER INLET 피팅
23.229	FITTING, RH BRAKE CYLINDER 피팅
23.230	GASKET, LH BRAKE CYLINDER INLET FITTING 가스켓
23.231	GASKET, RH BRAKE CYLINDER INLET FITTING 가스켓
23.616	LINE, BRAKE MASTER CYLINDER OUTLET 라인
23.792	RESERVOIR, BRAKE FLUID 리저버
23.793	FASTENER, BRAKE FLUID RESERVOIR 패스너
23.912	LINE, BRAKE MASTER CYLINDER OUTLET PORT 라인
23.921	LINE, RESERVOIR OUTLET 라인



14.538	SWITCH, PARK BRAKE 스위치
22.250	COVER, PARKING BRAKE CABLE ANCHOR 커버
23.267	LEVER, PARKING BRAKE 레버
23.269	FASTENER, PARKING BRAKE LEVER 패스너
23.271	FASTENER, PARKING BRAKE LEVER 패스너
23.272	CABLE, PARKING BRAKE 케이블
23.380	LINK, PARKING BRAKE 링크
23.462	FASTENER, PARKING BRAKE LINK 패스너
23.486	SIDE PLATE, PARKING BRAKE 사이드플레이트

23.488	FASTENER, PARKING BRAKE SIDE PLATE 패스너
97.206	FASTENER, PARKING BRAKE CABLE ANCHOR COVER 패스너

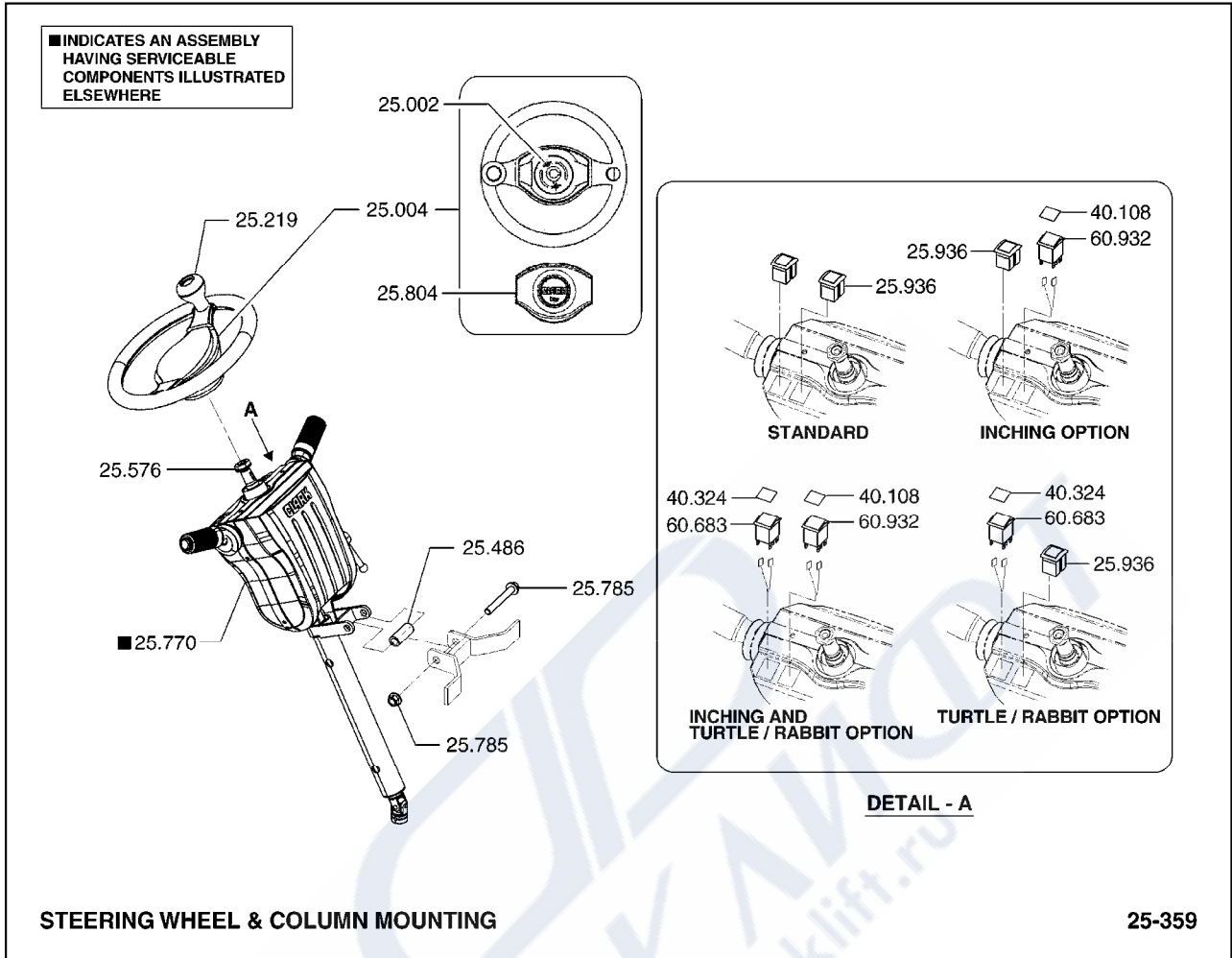
ФОРКЛИФТ
www.forklift.ru



06.101	LEVER ASSEMBLY, FORWARD & REVERSE 레버
13.655	SWITCH, TURN INDICATOR 스위치
14.050	HARNESS, CONTROL CIRCUIT WIRING 하네스
15.709	SWITCH, EMERGENCY 스위치
25.012	CUSHION, STEERING COLUMN 쿠션
25.030	SHAFT ASSEMBLY, STEERING COLUMN 샤프트
25.082	FASTENER, LEVER MOUNTING BRACKET 패스너
25.770	SHAFT & COLUMN ASSY, POWER STEERING (TILT) 샤프트& 컬럼
25.926	COVER, STEER COLUMN FRONT UPPER 커버

25.927	COVER, STEER COLUMN REAR UPPER 커버
25.934	FASTENER, STEER COLUMN COVER 패스너
60.904	SWITCH, STROBE LIGHT 스위치
97.084	FASTENER, STEER COLUMN COVER 패스너

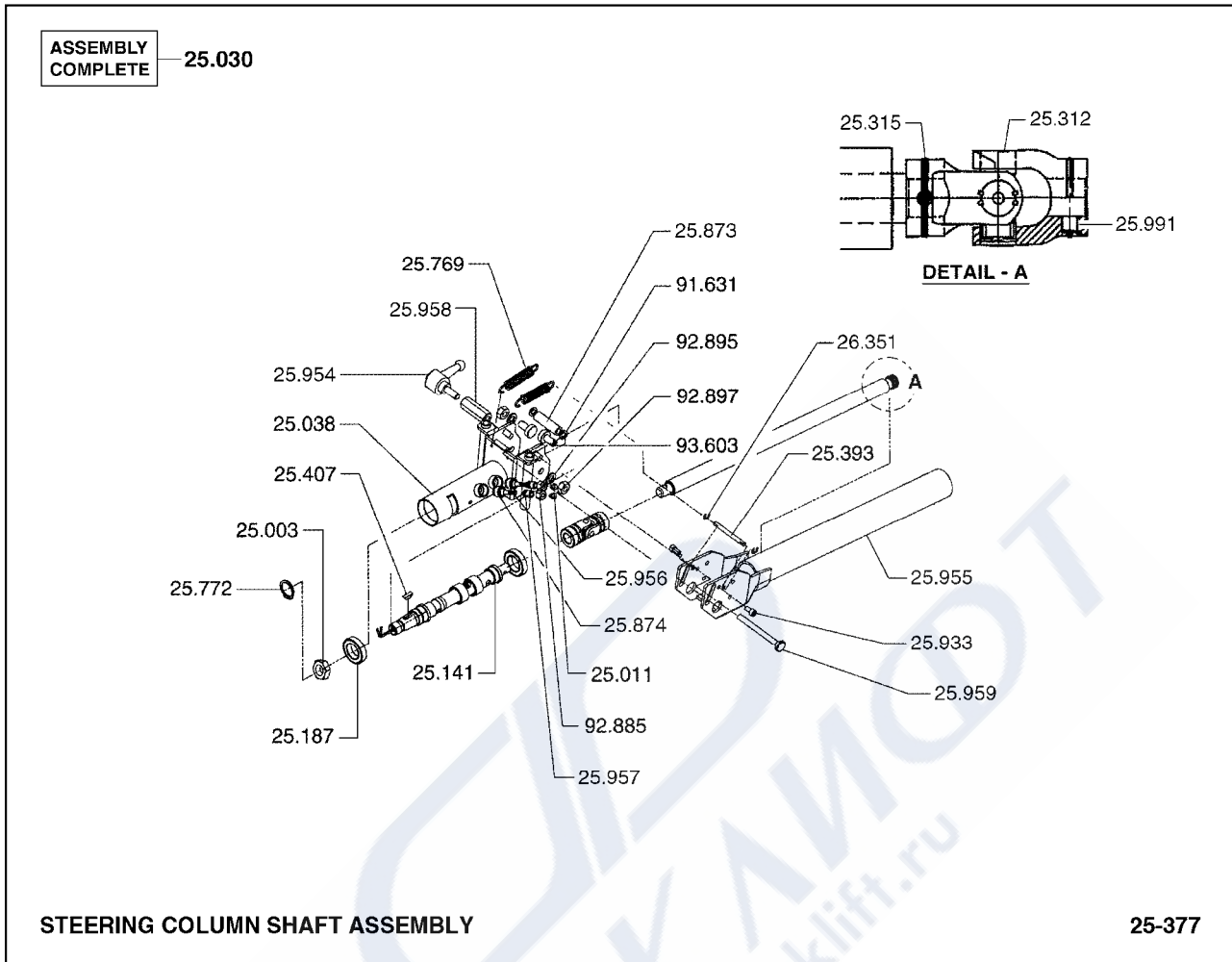




25.002	HORN BUTTON KIT 혼버튼키트
25.004	HAND WHEEL, STEERING GEAR 핸드휠
25.219	KNOB, STEERING HAND WHEEL SPINNER 노브
25.486	SPACER, STEERING GEAR MOUNTING 스페이서
25.576	SPACER, STEERING HAND WHEEL 스페이서
25.770	SHAFT & COLUMN ASSY, POWER STEERING (TILT) 샤프트& 컬럼
25.785	FASTENER, TILT STEERING SHAFT & COLUMN ASSEMBLY 패스너
25.804	COVER, HANDLE CONTROL ASSEMBLY 커버
25.936	PLUG, STEER COLUMN SWITCH 플러그

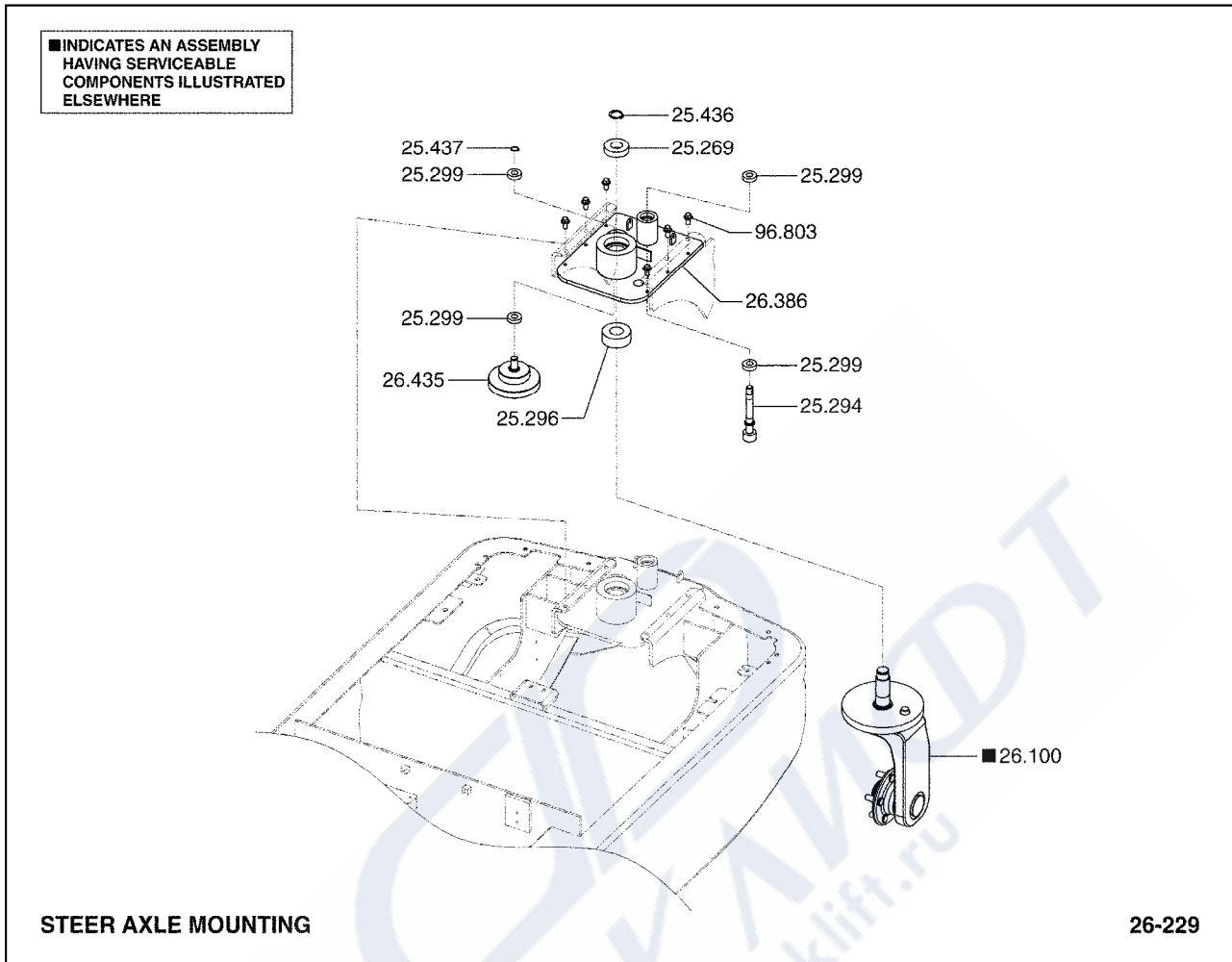
40.108	DECAL, MAINTENANCE INSTRUCTIONS 데칼
40.324	DECAL, HI/LOW 데칼
60.683	SWITCH, HI/LOW 스위치
60.932	SWITCH, MAINTENANCE ENABLE 스위치





25.003	NUT, HANDWHEEL 너트
25.011	FASTENER, STEERING COLUMN 패스너
25.030	SHAFT ASSEMBLY, STEERING COLUMN 샤프트
25.038	HOUSING ASSEMBLY-CUP & BUSHING, STEERING 하우징
25.141	SHAFT, STEERING GEAR 샤프트
25.187	BEARING, STEER SHAFT 베어링
25.312	UNIVERSAL JOINT, STEER 유니버설조인트
25.315	FASTENER, STEERING U-JOINT CLAMPING 패스너
25.393	PIN, STEERING LINK (STEERING ARM) 핀

25.407	KEY, STEER COLUMN SHAFT COUPLING 키
25.769	SPRING, STEERING COLUMN TILTING (LOWER) 스프링
25.772	RETAINER, STEERING COLUMN SHAFT 리테이너
25.873	BUSHING, STEER COLUMN AXIAL 부싱
25.874	BUSHING, STEER COLUMN TELESCOPING 부싱
25.933	FASTENER, STEERING COLUMN 패스너
25.954	ARM, TILT STEERING COLUMN ADJUSTOR 암
25.955	SUPPORT, STEERING COLUMN SHAFT 서포트
25.956	BRUSH, STEERING COLUMN SHAFT 브러쉬
25.957	BRUSH HOLDER, STEERING COLUMN SHAFT 브러쉬홀더
25.958	PIVOT, TILT STEERING COLUMN ADJUSTOR ARM 피벗
25.959	PIN, TILT STEERING COLUMN ADJUSTOR ARM 핀
25.991	PIN, STEERING UNIVERSAL JOINT 핀
26.351	WASHER, STEERING ARM PIN 와셔
91.631	WASHER, STEERING COLUMN UPPER BRACKET FASTENER 와셔
92.885	NUT, STEERING COLUMN UPPER BRACKET FASTENER 너트
92.895	WASHER, STEERING COLUMN SUPPORT FASTENER 와셔
92.897	NUT, STEERING COLUMN SUPPORT FASTENER 너트
93.603	FASTENER, STEERING COLUMN TILTING SPRING BALL STUD 패스너

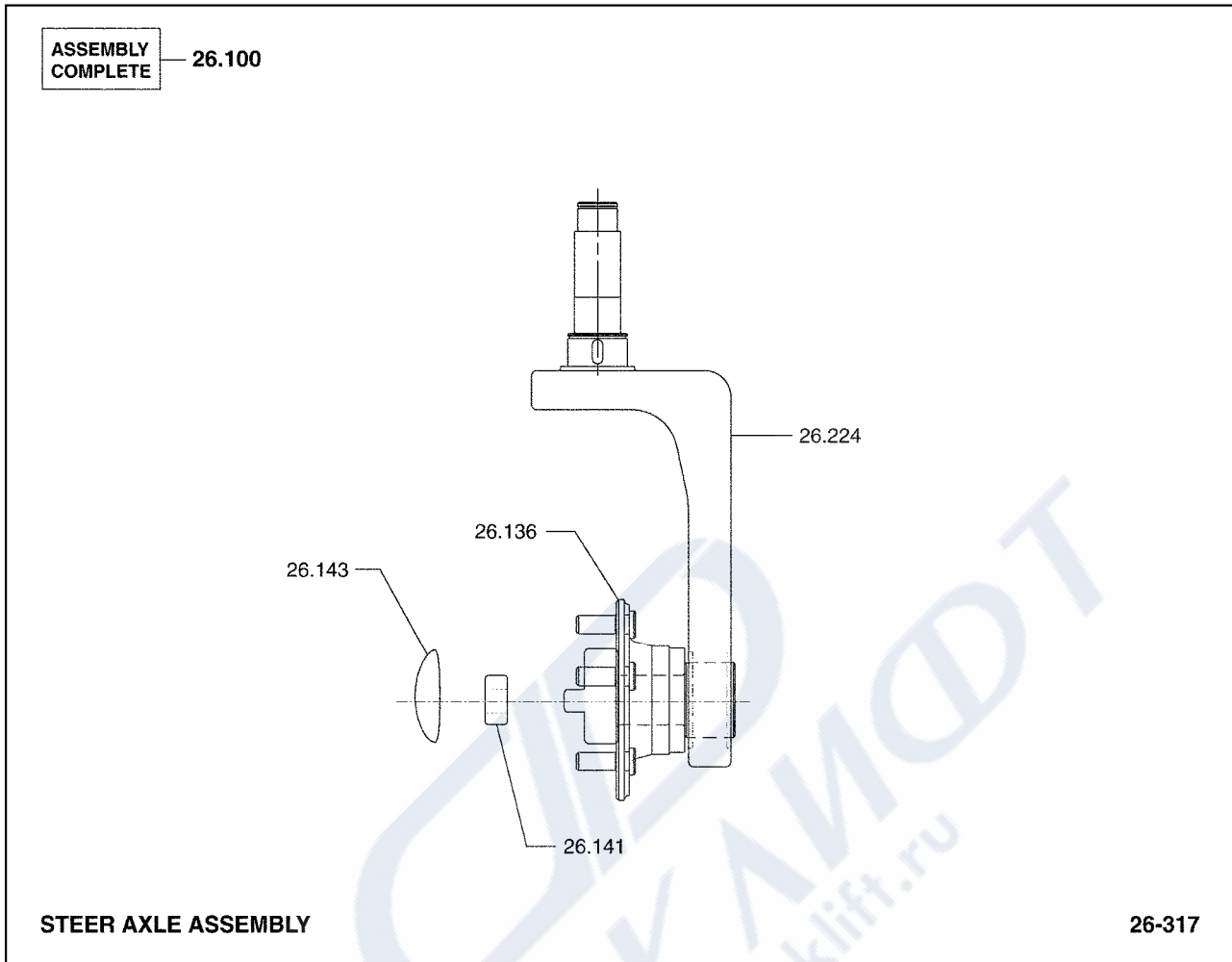


25.269	BEARING, STEERING GEAR SHAFT (UPPER) 베어링
25.294	SHAFT, STEERING IDLER GEAR 샤프트
25.296	BEARING, STEERING IDLER GEAR 베어링
25.299	BEARING, STEERING INTERMEDIATE SHAFT 베어링
25.436	RETAINER, STEERING INPUT SHAFT 리테이너
25.437	RETAINER, STEERING INPUT SHAFT BEARING 리테이너
26.100	AXLE ASSEMBLY, STEERING 스티어액슬
26.386	TRUNNION, AXLE 트러니언
26.435	SHAFT & GEAR ASSEMBLY, STEERING AXLE 샤프트&기어

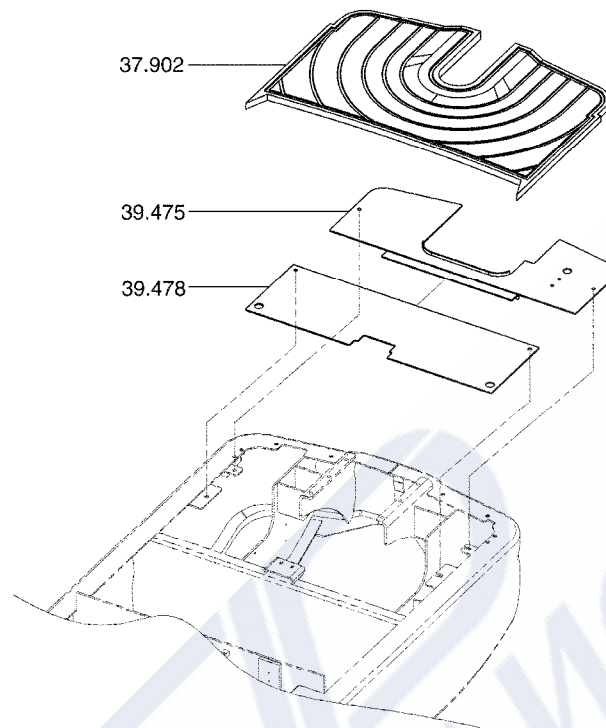
96.803

FASTENER, AXLE TRUNNION
패스너

ФОРКЛИФТ
www.forklift.ru



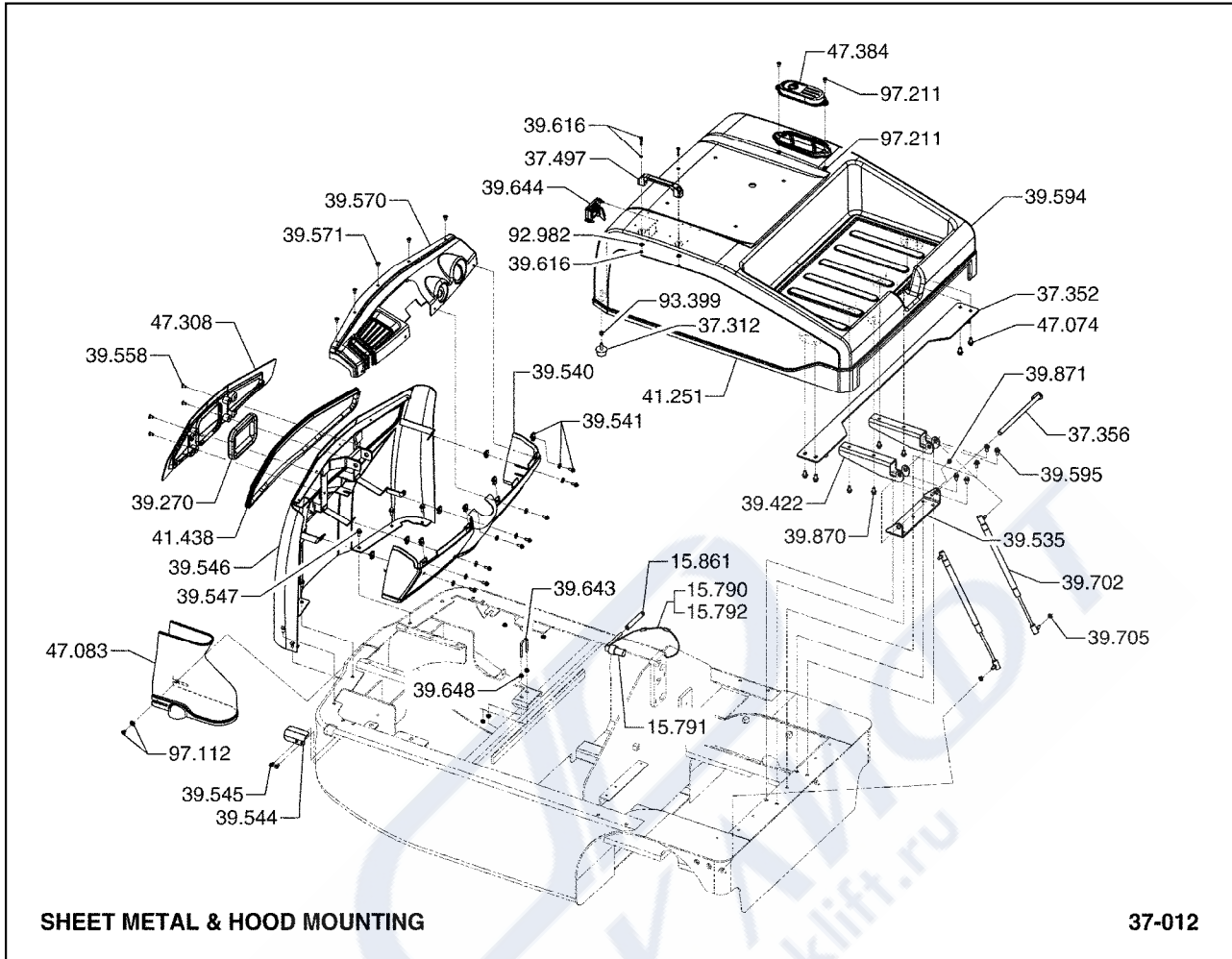
26.100	AXLE ASSEMBLY, STEERING 스티어액슬
26.136	HUB & CUP, STEER WHEEL 허브& 컵
26.141	FASTENER, STEER WHEEL HUB 패스너
26.143	CAP, STEER WHEEL HUB 캡
26.224	FORK, STEER AXLE 포크



FLOOR PLATE MOUNTING

37-011

37.902	MAT, FLOORPLATE 매트
38.471	PAD, LH STEP NON-SKID 패드
39.475	PLATE, FRONT FLOOR 플레이트
39.478	PLATE, REAR FLOOR 플레이트



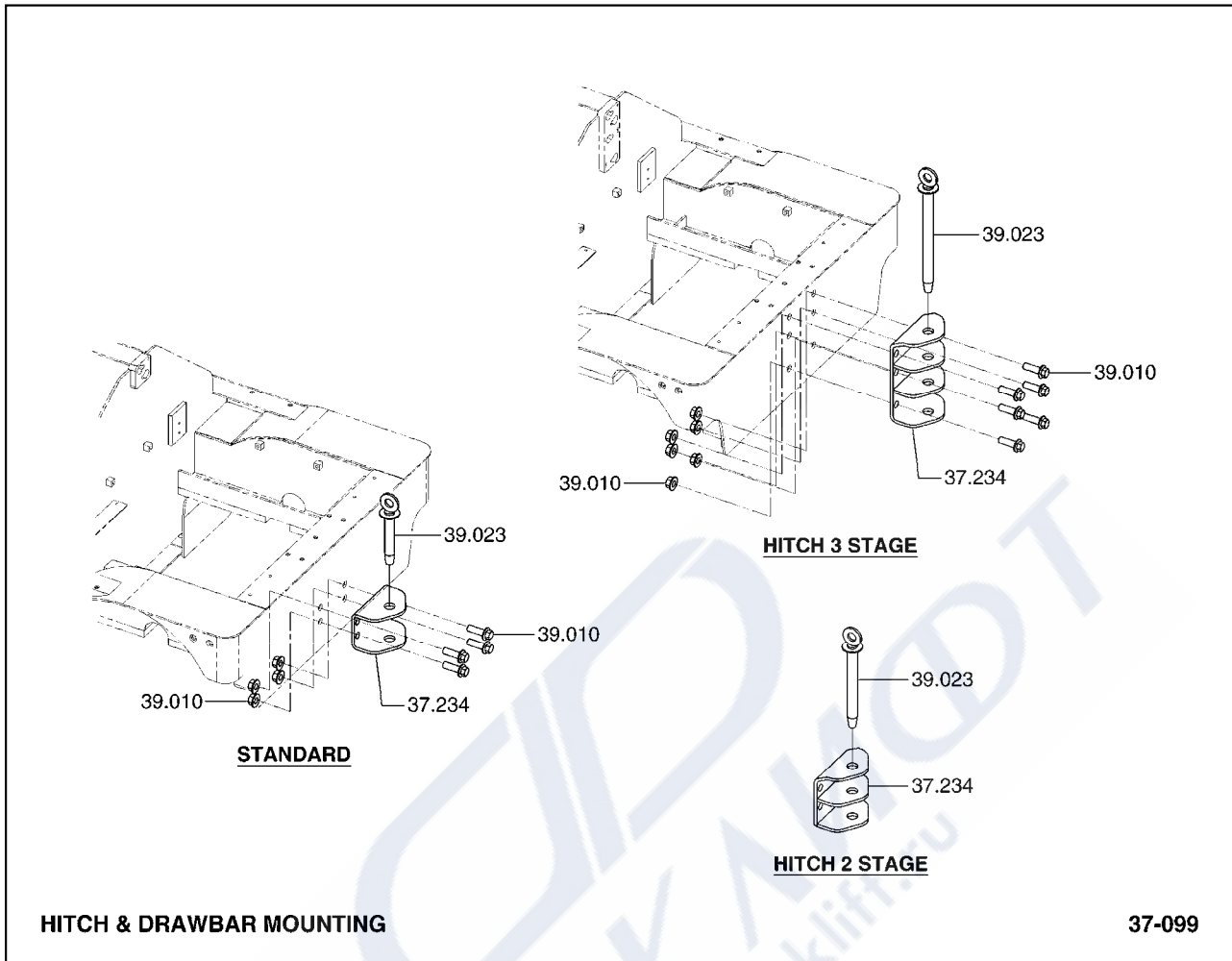
SHEET METAL & HOOD MOUNTING

37-012

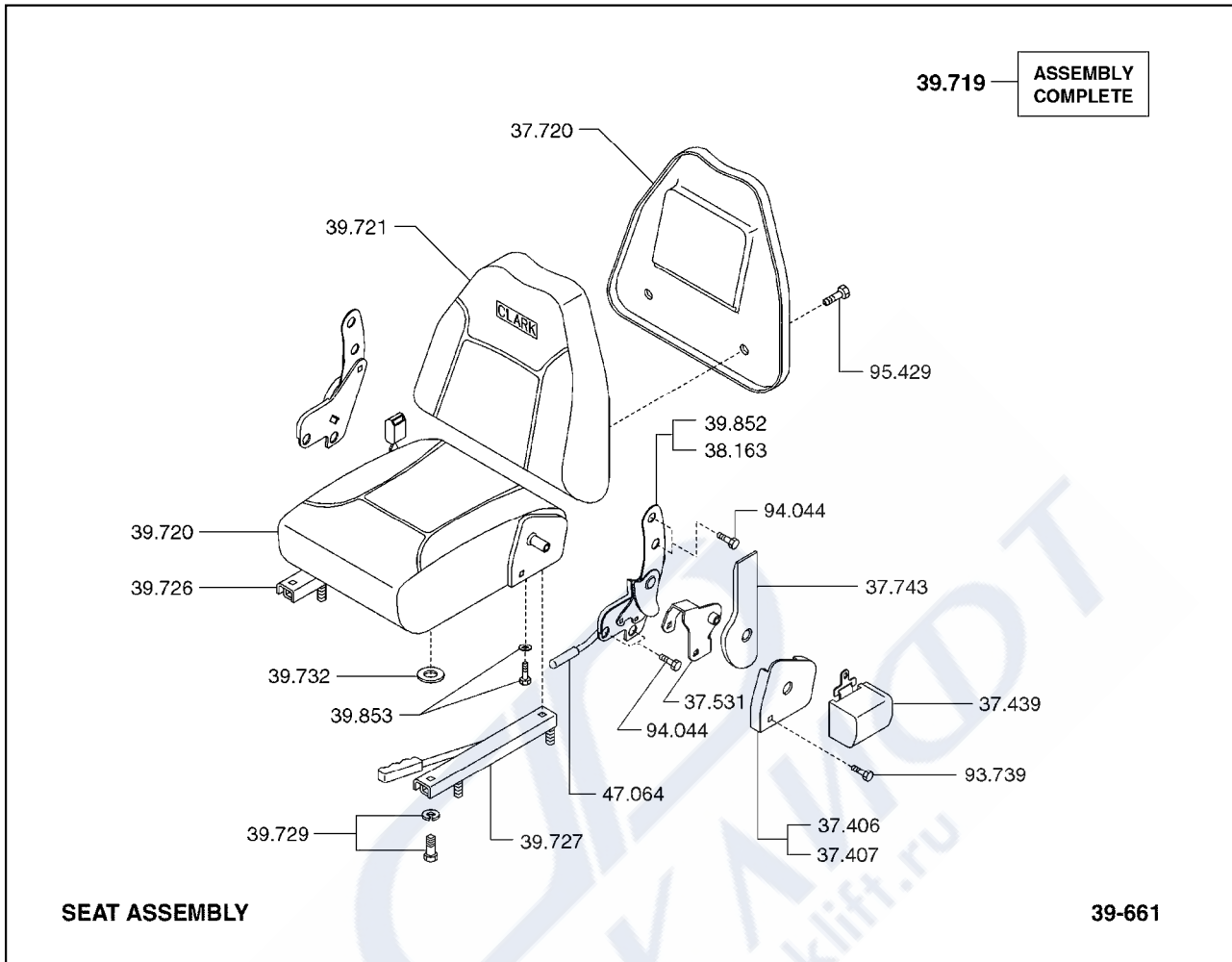
15.790	WIRE, BATTERY STOPPER 와이어	39.546	COWL ASSEMBLY 카울
15.791	HOLDER, BATTERY 홀더	39.547	FASTENER, COWL ASSEMBLY 패스너
15.792	SLEEVE, BATTERY STOOPER WIRE 슬리브	39.558	FASTENER, COWL FRONT 패스너
15.861	SHIELD, SPARK PROVENTION 실드	39.570	COVER ASSEMBLY, DASH 커버
37.312	STOP, TOP HOOD 스톱	39.571	FASTENER, DASH COVER 패스너
37.352	BRACKET, TOP HOOD SPRING (RH) 브라켓	39.594	HOOD, TOP 후드
37.356	PIVOT, TOP HOOD SUPPORT HINGE 피봇	39.595	FASTENER, TOP HOOD 패스너
37.497	HANDLE, TOP HOOD LATCH 핸들	39.616	FASTENER, TOP HOOD LATCH 패스너
39.270	WEATHERSEAL, COWL EXTENSION TO COWL 웨더실	39.643	CATCH, TOP HOOD LATCH 캐치
39.422	HINGE, TOP HOOD 힌지	39.644	LATCH, TOP HOOD 래치
39.535	BRACKET, TOP HOOD MOUNTING 브라켓	39.648	FASTENER, TOP HOOD LATCH CATCH 패스너
39.540	PANEL, LOWER DASH 판넬	39.702	PROP, HOOD 지지대
39.541	FASTENER, LOWER DASH PANEL 패스너	39.705	FASTENER, HOOD PROP 패스너
39.544	COVER, COWL ACCESS HOLE 커버	39.870	FASTENER, TOP HOOD HINGE 패스너
39.545	FASTENER, COWL ACCESS HOLE COVER 패스너	39.871	FASTENER, TOP HOOD HINGE SUPPORT 패스너

41.251	SOUND SEAL, TOP HOOD 사운드씰
41.438	SOUND SEAL , COWL COVER 사운드씰
47.074	FASTENER, TOP HOOD SPRING BRACKET 패스너
47.083	SUPPORT, DASH COVER 서포트
47.308	COVER ASSEMBLY, DASH CENTER 커버
47.384	COVER, DISCONNECT SWITCH 커버
92.982	WASHER, TOP HOOD LATCH FASTENER 와셔
93.399	FASTENER, TOP HOOD STOP 패스너
97.112	FASTENER, DASH COVER SUPPORT 패스너
97.211	FASTENER, DISCONNECT SWITCH COVER 패스너



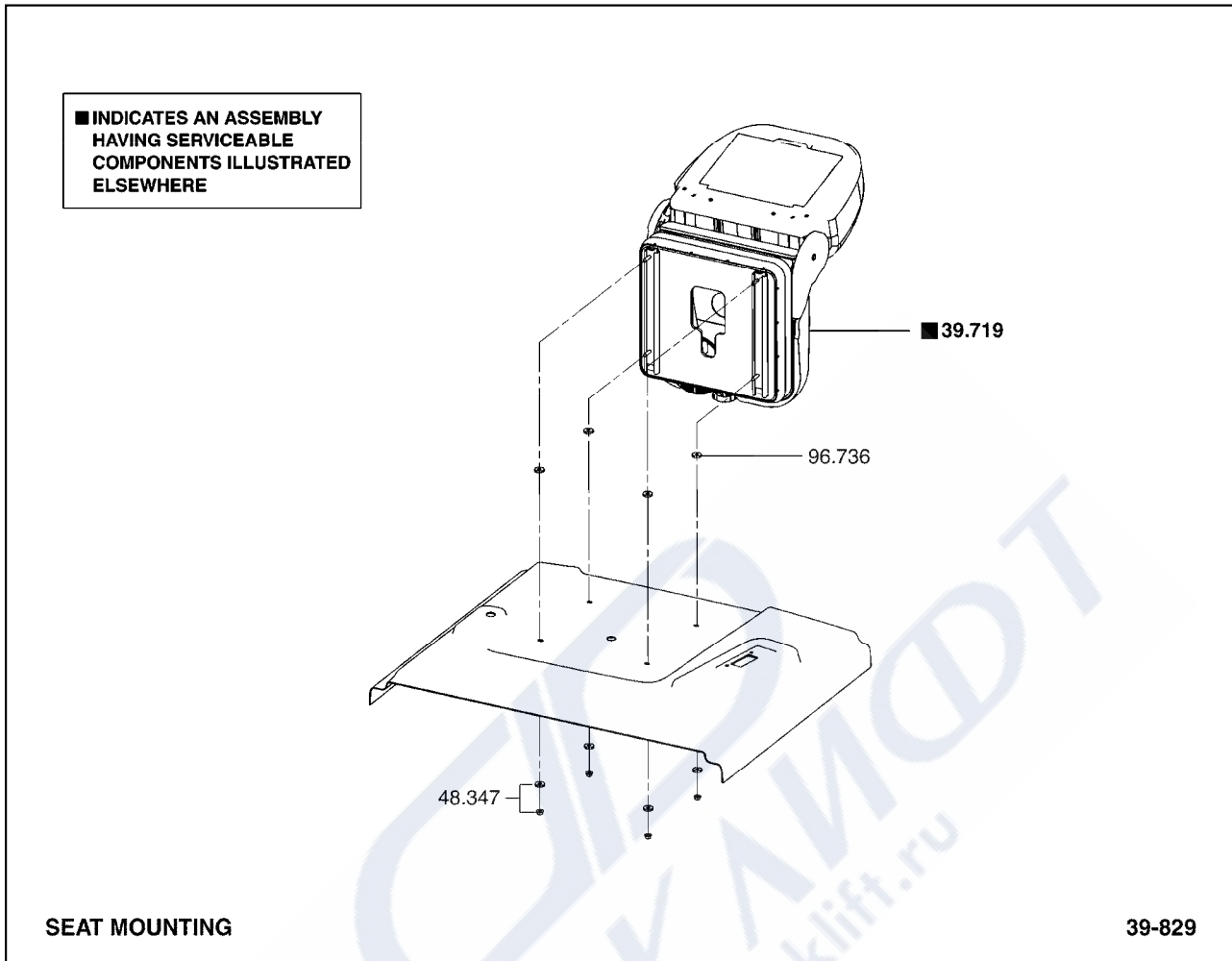


- | | |
|--------|----------------------------------|
| 37.234 | BRACKET, TOW BAR STOWING
브라켓 |
| 39.010 | FASTENER, TOW BAR SUPPORT
패스너 |
| 39.023 | PIN, TOW BAR STOWING
핀 |

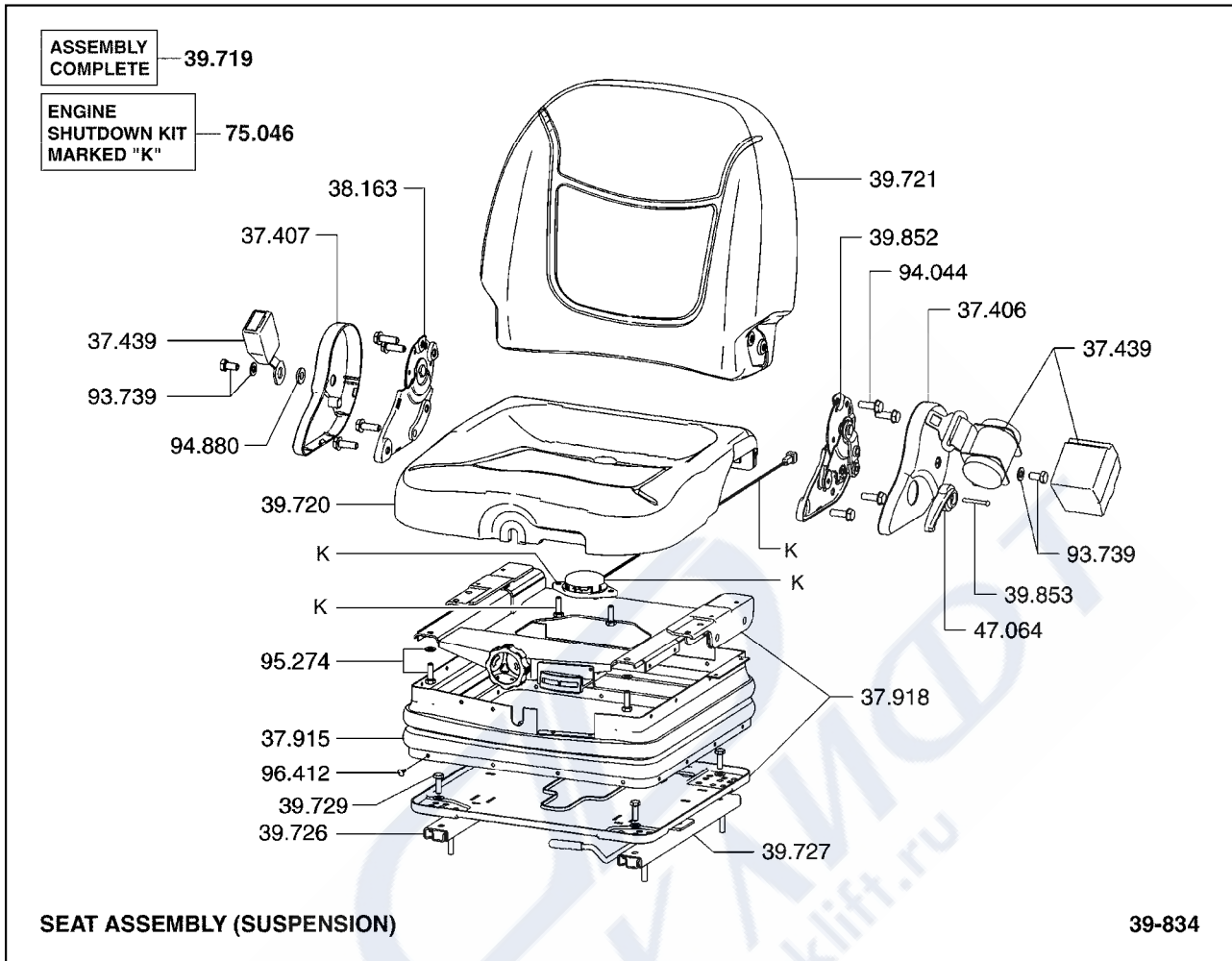


- 37.406 BRACKET, SEAT BACK REST COVER LH
브라켓
- 37.407 BRACKET, SEAT BACK REST COVER RH
브라켓
- 37.439 SAFETY BELT, SEAT
안전벨트
- 37.531 BRACKET, SEAT SAFETY BELT MOUNTING
브라켓
- 37.720 COVER, OPERATOR SEAT LATERAL RESTRAINT
커버
- 37.743 COVER, SEAT SUPPORT LATCH
커버
- 38.163 BRACKET, SEAT SUPPORT RH
브라켓
- 39.719 SEAT ASSEMBLY
시트
- 39.720 CUSHION, SEAT
쿠션

39.721	CUSHION, SEAT BACK REST 쿠션
39.726	ADJUSTOR, SEAT 어드저스터
39.727	ADJUSTOR, SEAT WITH LATCH 어드저스터
39.729	FASTENER, ADJUSTOR TO SEAT SUPPORT 패스너
39.732	SPACER, SEAT FRAME TO ADJUSTOR 스페이서
39.852	BRACKET, SEAT SUPPORT LH 브라켓
39.853	FASTENER, SEAT SUPPORT BRACKET 패스너
47.064	KNOB, SEAT ASSEMBLY WEIGHT ADJUSTER 노브
93.739	FASTENER, SAFETY BELT ASSEMBLY 패스너
94.044	FASTENER, SEAT CUSHION MOUNTING PLATE 패스너
95.429	FASTENER, SEAT LATERAL RESTRAINT COVER 패스너

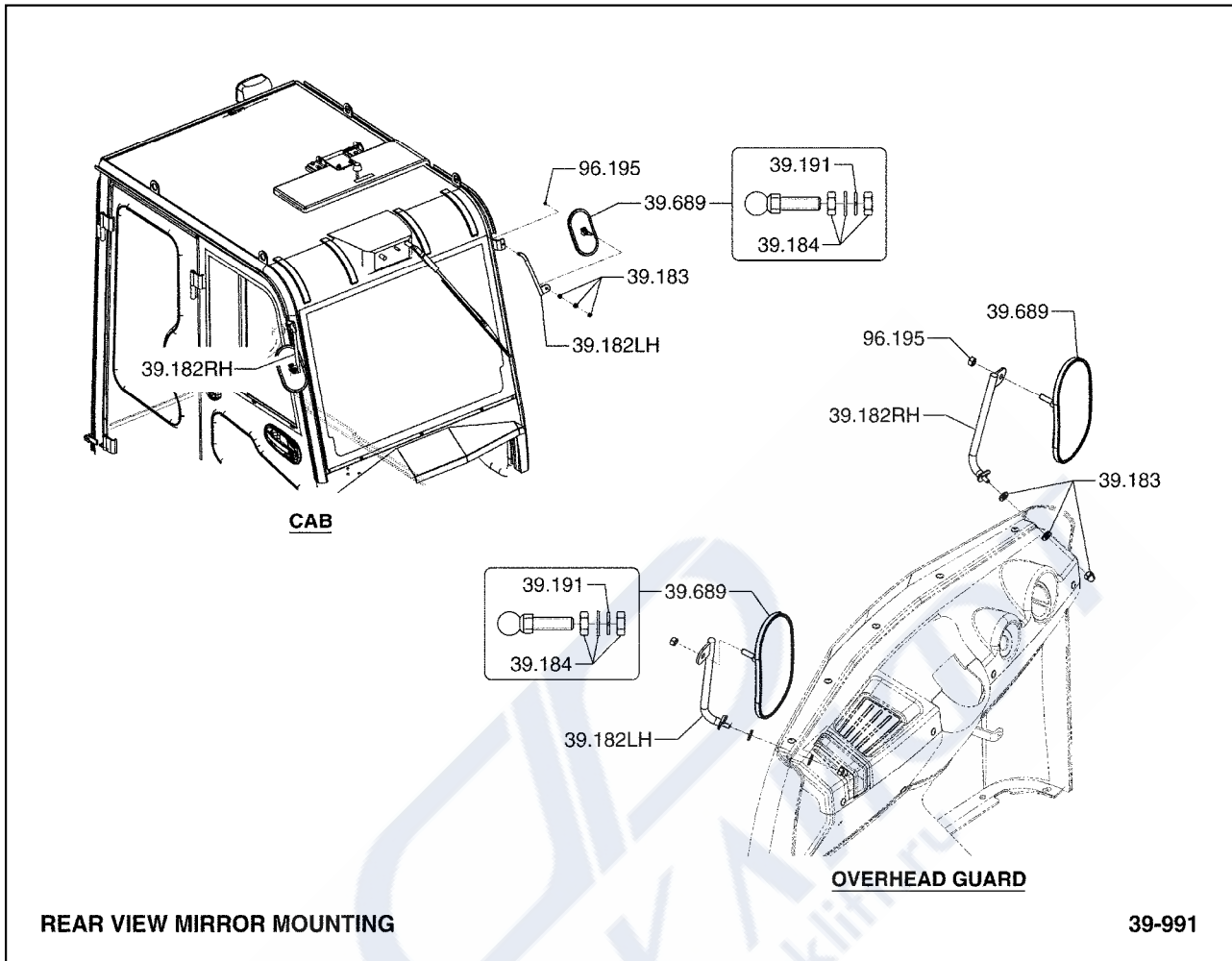


39.719	SEAT ASSEMBLY 시트
48.347	FASTENER, SEAT ASSEMBLY 패스너
96.736	WASHER, SEAT ASSEMBLY FASTENER 와셔

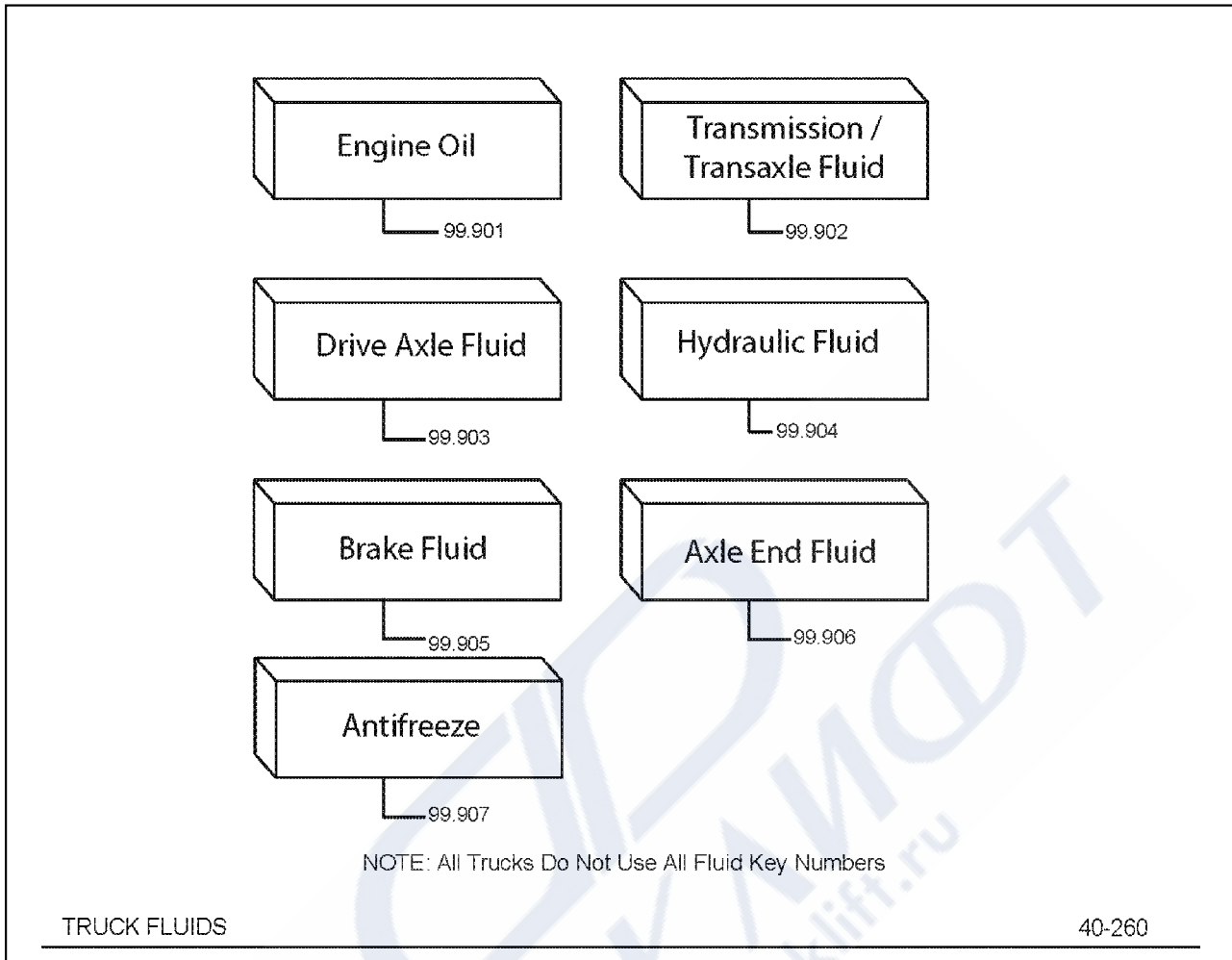


- 37.406 BRACKET, SEAT BACK REST COVER LH
브라켓
- 37.407 BRACKET, SEAT BACK REST COVER RH
브라켓
- 37.439 SAFETY BELT, SEAT
안전벨트
- 37.915 SUSPENSION COVER, SEAT SUSPENSION
서스펜션커버
- 37.918 SUSPENSION ASSEMBLY, SEAT
서스펜션
- 38.163 BRACKET, SEAT SUPPORT RH
브라켓
- 39.719 SEAT ASSEMBLY
시트
- 39.720 CUSHION, SEAT
쿠션
- 39.721 CUSHION, SEAT BACK REST
쿠션

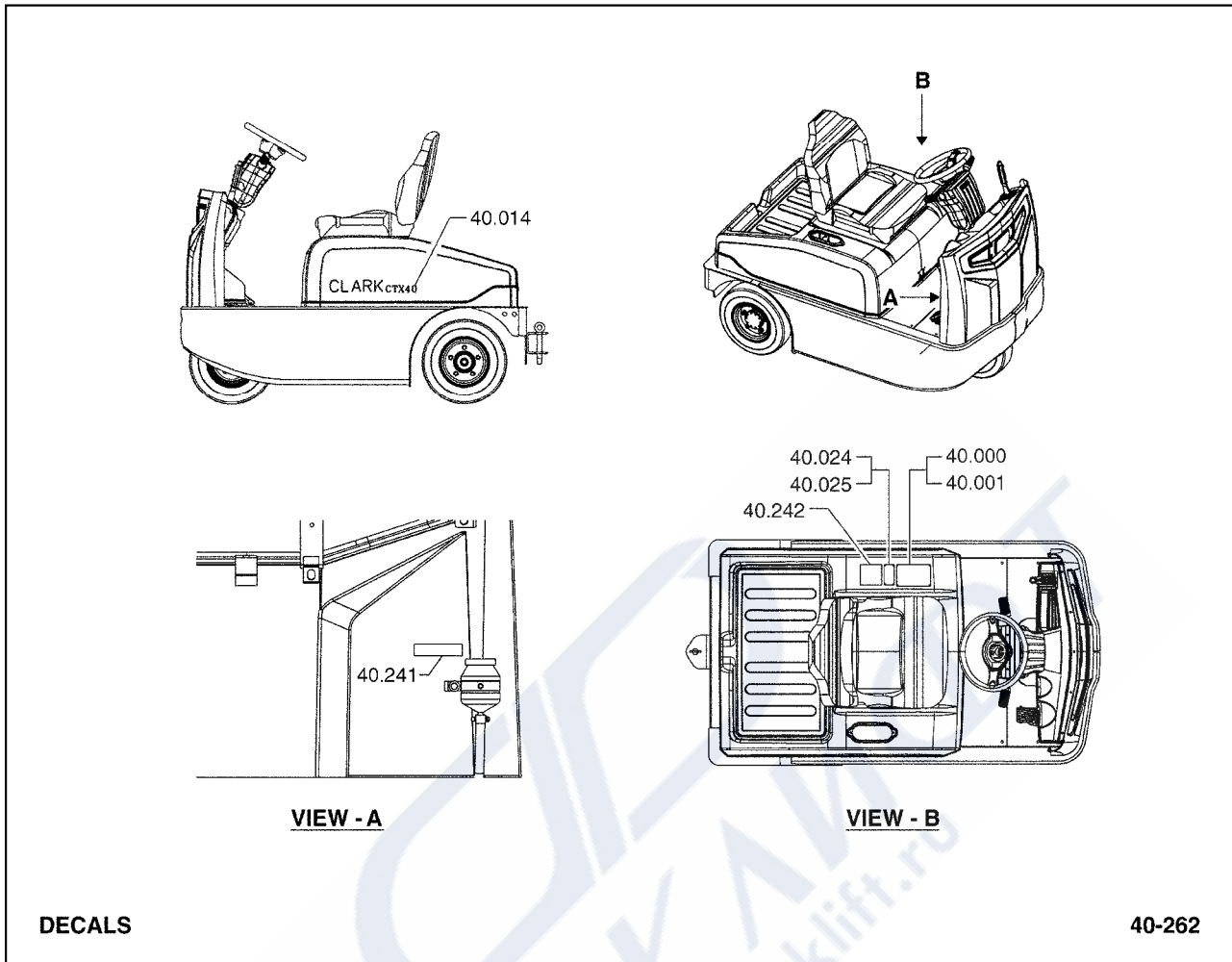
39.726	ADJUSTOR, SEAT 어드저스터
39.727	ADJUSTOR, SEAT WITH LATCH 어드저스터
39.729	FASTENER, ADJUSTOR TO SEAT SUPPORT 패스너
39.852	BRACKET, SEAT SUPPORT LH 브라켓
39.853	FASTENER, SEAT SUPPORT BRACKET 패스너
47.064	KNOB, SEAT ASSEMBLY WEIGHT ADJUSTER 노브
75.046	KIT, SEAT ACTUATED ENGINE SHUTDOWN 키트
93.739	FASTENER, SAFETY BELT ASSEMBLY 패스너
94.044	FASTENER, SEAT CUSHION MOUNTING PLATE 패스너
94.880	FASTENER, SEAT SUPPORT CATCH BRACKET 패스너
95.274	FASTENER, SEAT CUSHION SUSPENSION SUPPORT 패스너
96.412	FASTENER, SEAT SUSPENSION BACK SIDE COVER 패스너



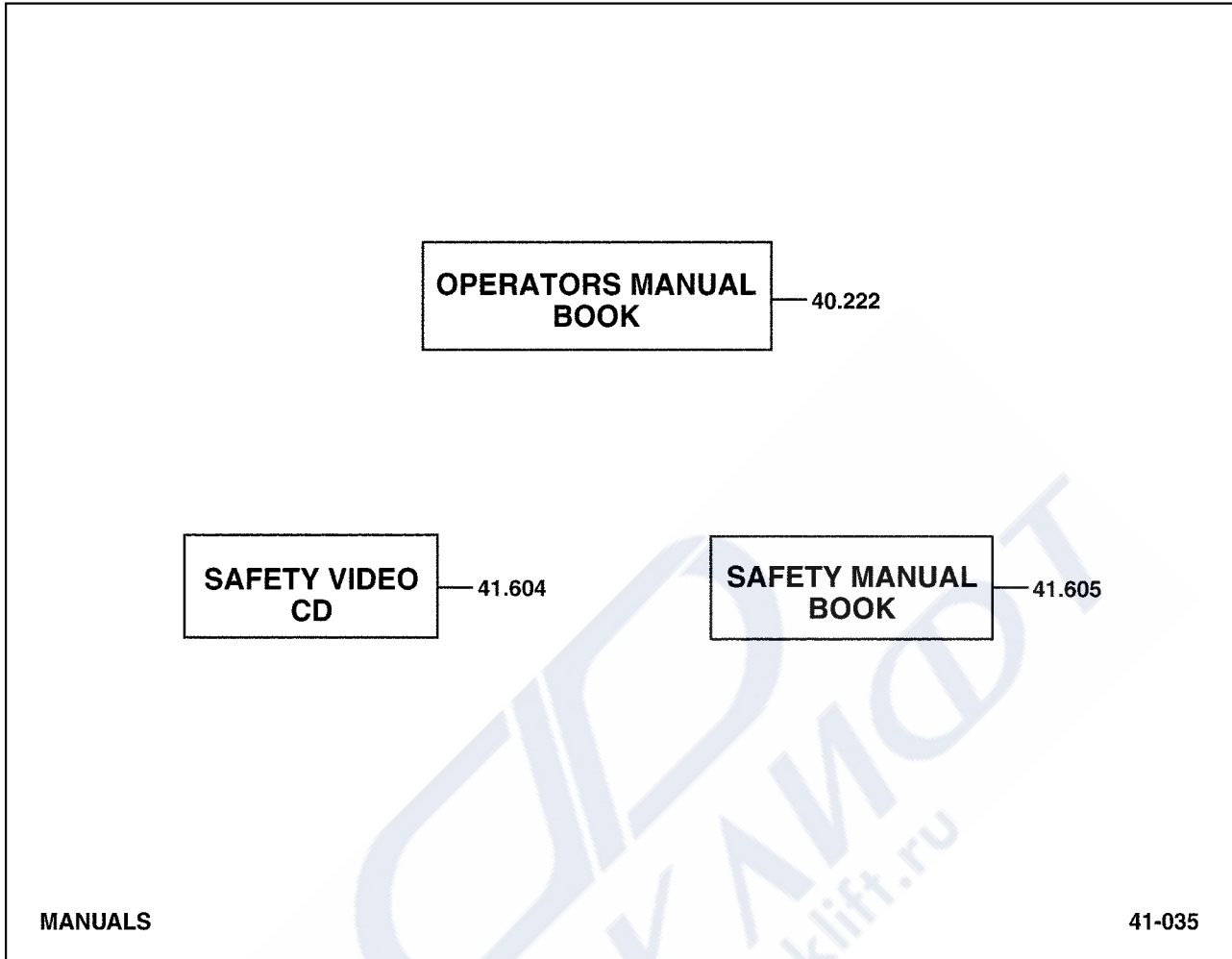
39.182	BRACKET, REAR VIEW MIRROR MOUNTING 브라켓
39.183	FASTENER, MIRROR MOUNTING BRACKET 패스너
39.184	FASTENER, REAR VIEW MIRROR 패스너
39.191	FASTENER, RH MIRROR 패스너
39.689	MIRROR, REAR VIEW 미러
96.195	NUT, REAR VIEW MIRROR MOUNTING 너트



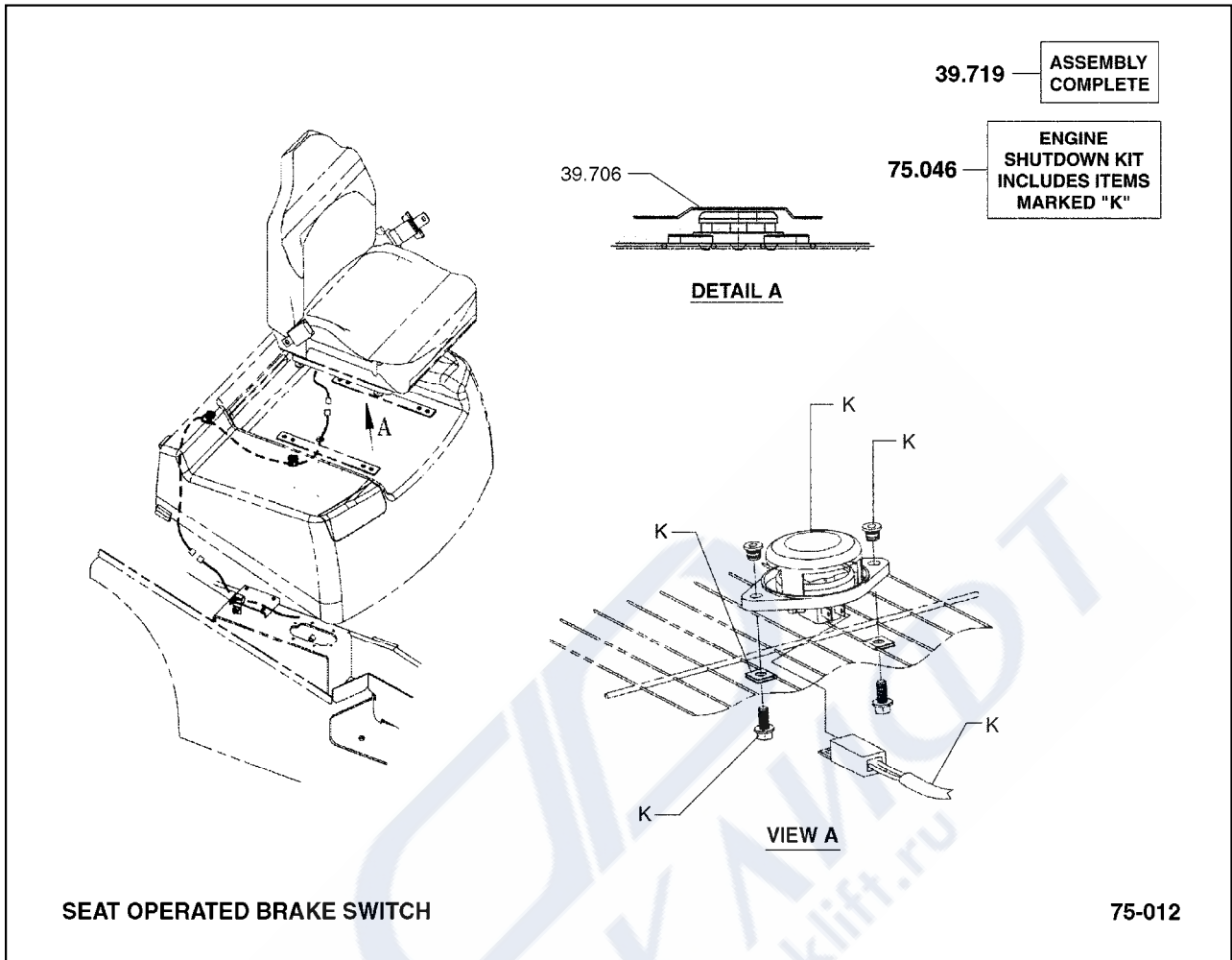
- | | |
|--------|-------------------------------|
| 99.901 | ENGINE OIL
엔진오일 |
| 99.902 | TRANSMISSION FLUID
트랜스미션오일 |
| 99.903 | DRIVE AXLE FLUID
드라이브액슬 |
| 99.904 | HYDRAULIC SUMP OIL
유압섬프오일 |
| 99.905 | BRAKE FLUID
브레이크오일 |
| 99.906 | AXLE END FLUID
액슬엔드오일 |
| 99.907 | ENGINE ANTIFREEZE
부동액 |



- | | |
|--------|---|
| 40.000 | PLATE, CAPACITY & SERIAL NUMBER
플레이트 |
| 40.001 | FASTENER, CAPACITY & SERIAL PLATE
패스너 |
| 40.014 | DECAL, MODEL NAME
데칼 |
| 40.024 | PLATE, UNDERWRITERS LABEL
플레이트 |
| 40.025 | FASTENER, UNDERWRITERS LABEL PLATE
패스너 |
| 40.241 | DECAL, BRAKE OIL SPEC
데칼 |
| 40.242 | DECAL, WARNING
데칼 |



- 40.222 MANUAL, OPERATORS
매뉴얼
- 41.604 VIDEO, SAFETY
비디오
- 41.605 MANUAL, SAFETY
매뉴얼



- | | |
|--------|--|
| 39.706 | SUPPORT, SEAT
서포트 |
| 39.719 | SEAT ASSEMBLY
시트 |
| 75.046 | KIT, SEAT ACTUATED ENGINE SHUTDOWN
키트 |