

# 부품 매뉴얼 PARTS MANUAL

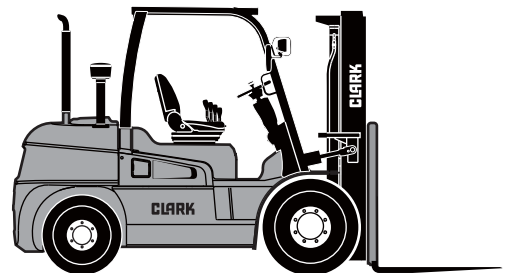
---

## **C40/45/50s/55s D** *(for 12V, Tier 2)*

SERIAL NUMBER : P455D - XXXX - 9883 KF (Tier 2)

부품 청구시 항상 장비의 SERIAL NO. 도  
함께 알려 주십시오.

ALWAYS GIVE TRUCK SERIAL NUMBER  
WHEN ORDERING PARTS.



Publication Date : Dec. 2013

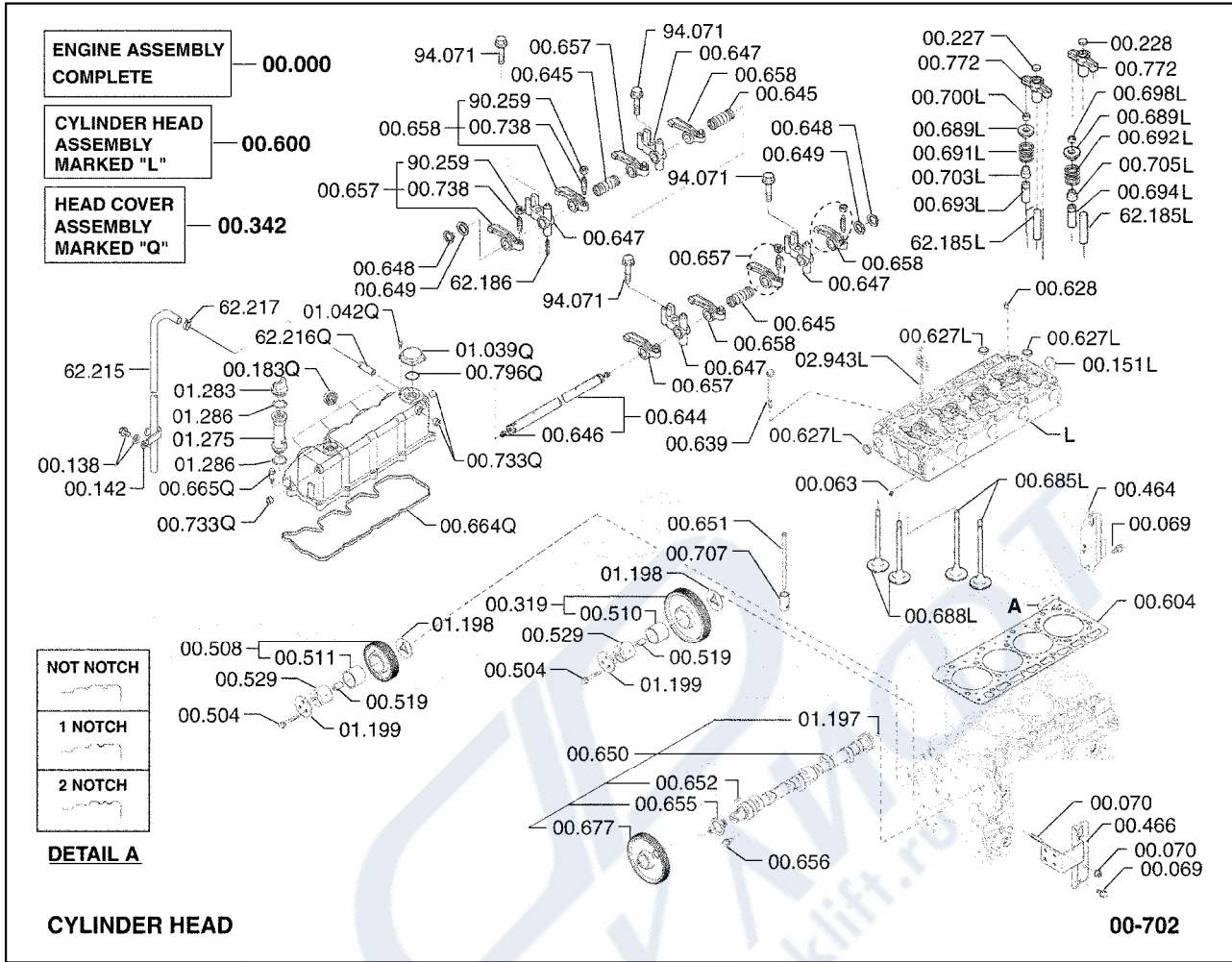


(본사) 경기도 부천시 오정구 오정동 202-1  
(Head office) 202-1 Ojung-Dong, Ojung-Gu, Bucheon-city, Kyunggi-do, Korea  
(공장) 경남 창원시 웅남동 40-1  
(Factory) 40-1 Ungnam-dong, Changwon-city, Kyungnam, Korea



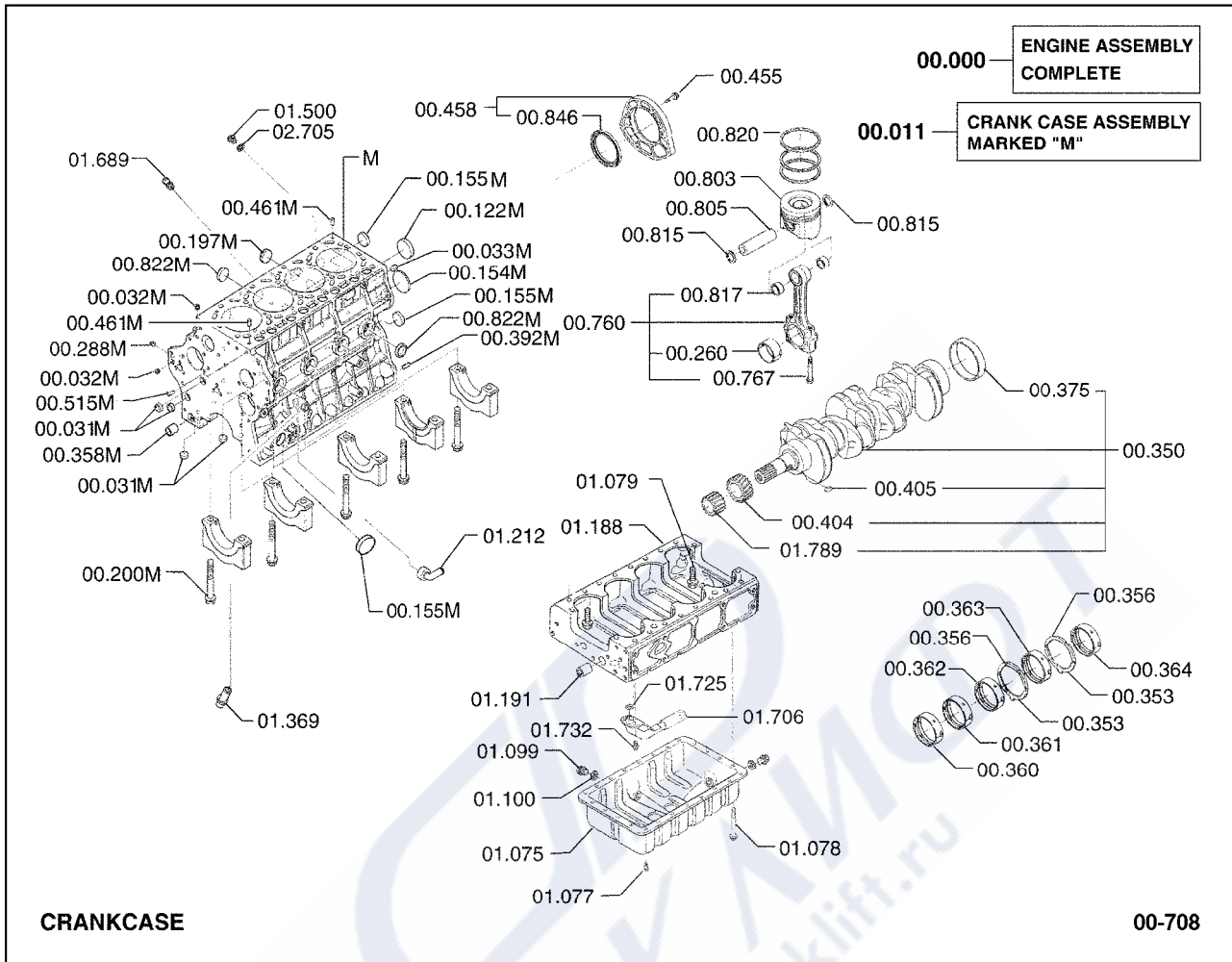
00-702	CYLINDER HEAD 실린더 헤드	12-220	GENERATOR MOUNTING 제너레이터 마운팅
00-708	CRANKCASE 크랭크케이스	12-264	BATTERY MOUNTING 배터리 마운팅
00-730	ENGINE MOUNTING 엔진 마운팅	13-162	STROBE LIGHT MOUNTING 경광등 마운팅
00-746	CYLINDER HEAD 실린더 헤드	13-182	STROBE LIGHT 경광등
01-342	WATER PUMP MOUNTING AND THERMOSTAT 워터 펌프 마운팅& 서모스태트	13-228	BACK-UP ALARM INSTALLATION 백업 알람 조립그룹
01-343	FRONT CASE & OIL LINES 프론트 케이스& 오일라인	13-292	KEY SWITCH INSTALLATION 키스위치 조립그룹
01-345	COOLING SYSTEM 쿨링 시스템	13-294	HEAD LAMP INSTALLATION 헤드램프 조립그룹
01-347	FAN MOUNTING 팬 마운팅	13-296	SIGNAL LIGHT INSTALLATION 시그널 라이트 조립그룹
01-352	FRONT & REAR CASE AND OIL LINES 전후방 케이스와 오일라인	13-297	COMBINATION LAMP INSTALLATION 컴비네이션 램프 조립그룹
02-471	AIR CLEANER ASSEMBLY 에어 크리너 어셈블리	14-043	ELECTRICAL WIRING 전기장치 와이어링
02-475	ACCELERATOR SYSTEM 악셀레이터 시스템	14-167	ELECTRICAL COMPONENTS 전기장치 구성품
03-594	EXHAUST SYSTEM 배기 시스템	20-142	DRIVE AXLE MOUNTING 드라이브 액슬 마운팅
03-595	FUEL LINE 연료 라인	20-145	DRIVE AXLE ASSEMBLY 드라이브 액슬 어셈블리
03-612	FUEL INJECTION PUMP UNIT 연료 인젝션 펌프 유닛	20-146	DIFFERENTIAL & CARRIER ASSY 디퍼렌셜& 캐리어
03-613	GOVERNOR SPEED LEVER 거버너 스피드 레버	20-147	DRIVE AXLE HUB ASSEMBLY 드라이브 액슬 허브 어셈블리
03-614	GOVERNOR 거버너	20-173	DRIVE AXLE OIL COOLER LINES 드라이브 액슬 쿨러 라인
03-618	INTAKE SYSTEM 흡기 시스템 (유일)	21-018	PROPELLER SHAFT 프로펠러 샤프트
03-619	EXHAUST MANIFOLD 배기 기관	22-013	DRIVE WHEEL & TIRE MOUNTING 드라이브휠& 타이어 마운팅
03-620	EGR COOLER INSTALLATION EGR 쿨러 조립그룹	22-014	STEER WHEEL & TIRE MOUNTING 스티어휠& 타이어 마운팅
03-623	INTAKE MANIFOLD 흡기 기관	22-015	DUAL DRIVE WHEEL & TIRE MOUNTING 듀얼 드라이브 휠& 타이어 마운팅
03-643	FUEL LINE 연료 라인	22-024	DRIVE WHEEL & TIRE (SOLID TYPE) 드라이브 휠& 타이어 (솔리드 타입)
03-644	FUEL INJECTION PUMP UNIT 연료 인젝션 펌프 유닛	22-025	STEER WHEEL & TIRE (SOLID TYPE) 스티어 휠& 타이어 (솔리드 타입)
03-645	GOVERNOR SPEED LEVER 거버너 스피드 레버	23-491	BRAKE & INCHING LINES 브레이크& 인칭라인
03-646	GOVERNOR 거버너	23-510	PARKING BRAKE MOUNTING 파킹 브레이크 마운팅
03-647	INTAKE & EXHAUST MANIFOLDS 흡기& 배기 기관	23-538	BRAKE LINES 브레이크 라인
03-676	FUEL SYSTEM 연료 시스템	24-007	BRAKE ENERGIZER ASSEMBLY 브레이크 에너지저 어셈블리
05-050	TRANSMISSION CASE & CONTROL VALVE 트랜스미션 케이스& 컨트롤 밸브	25-058	STEERING GEAR MOUNTING 스티어링 기어 마운팅
05-052	TORQUE CONVERTER HOUSING 토크 컨버터 하우징	25-145	STEERING UNIT 스티어링 유닛
05-065	TRANSMISSION CLUTCH PACKS (FWD) 트랜스미션 클러치 팩 (전진)	25-278	STEERING COLUMN ASSEMBLY 스티어링 컬럼 어셈블리
05-066	TRANSMISSION CLUTCH PACKS (REV) 트랜스미션 클러치 팩 (후진)	25-291	STEERING COLUMN SHAFT ASSEMBLY 스티어링 컬럼 샤프트 어셈블리
06-079	TRANSMISSION CONTROL COVER 트랜스미션 컨트롤 커버	25-292	STEERING WHEEL & COLUMN MOUNTING 스티어링 휠& 컬럼 마운팅
07-071	TRANSMISSION MOUNTING 트랜스미션 마운팅	25-374	STEERING COLUMN ASSEMBLY 스티어링 컬럼 어셈블리
10-123	TRANS COOLING LINES 트랜스미션 쿨링 라인	26-253	STEERING CYLINDER 스티어링 실린더
11-111	STARTER 스타터	26-284	STEER AXLE MOUNTING 스티어링 액슬 마운팅
11-302	ELECTRICAL CONTROL 전기장치 컨트롤	26-290	STEER AXLE ASSEMBLY 스티어링 액슬 어셈블리
12-195	GENERATOR 제너레이터	26-300	HYDRAULIC STEERING LINES 유압 스티어링 라인

27-000	PRIORITY VALVE ASSEMBLY 우선 밸브 어셈블리	66-187	SECONDARY CYLINDER ASSEMBLY 2차 실린더 어셈블리
29-228	HYDRAULIC BRAKE PUMP ASSY 유압 브레이크 펌프 어셈블리	66-188	PRIMARY CYLINDER 프라이머리 실린더
29-243	HYDRAULIC BRAKE PUMP ASSY 유압 브레이크 펌프 어셈블리	66-999	EXTENTION FORK 익스텐션 포크
29-278	HYDRAULIC TANK & COMPONENTS MOUNTING 유압탱크& 구성품 마운팅	75-004	SEAT OPERATED BRAKE 시트 조작 브레이크
29-283	HYDRAULIC PUMP ASSEMBLY 유압 펌프 어셈블리		
29-293	HYDRAULIC PUMP MOUNTING 유압 펌프 마운팅		
30-364	HYDRAULIC CONTROL VALVE-3 SPOOL 유압 컨트롤 밸브 - 3 스푼		
30-587	HYDRAULIC VALVE MOUNTING (3SPOOL) 유압밸브 마운팅 (3스풀)		
31-207	AUXILIARY VALVE LINES 보조 밸브 라인		
31-237	HYDRAULIC LIFT & TILT LINES 유압 리프트& 틸트 라인		
31-260	HYDRAULIC SUPPLY LINES 유압 공급 라인		
31-324	HYDRAULIC RETURN LINES 유압 리턴 라인		
32-158	TILT CYLINDER MOUNTING 틸트 실린더 마운팅		
32-161	TILT CYLINDER 틸트 실린더		
32-167	TILT AMOUNT GROUP 틸트 어마운트 그룹		
34-115	CARRIAGE ASSEMBLY 캐리지 어셈블리		
34-190	LOAD BACK REST MOUNTING 로드 백 레스트 마운팅		
37-009	SEAT ASSEMBLY 시트 어셈블리		
37-018	REAR VIEW MIRROR MOUNTING 후방미러 마운팅		
38-220	COUNTERWEIGHT MOUNTING 카운터웨이트 조립그룹		
38-270	FRAME TANK BOTTOM PLUG 프레임 탱크 하단 플러그		
39-829	SEAT MOUNTING 시트 마운팅		
39-834	SEAT ASSEMBLY (SUSPENSION) 시트 어셈블리		
39-876	HOOD MOUNTING 후드 마운팅		
39-887	OVERHEAD GUARD MOUNTING 오버헤드가드 마운팅		
39-888	SHEET METAL 시트 메탈		
39-889	FLOOR PLATE 플로어 플레이트		
40-250	MODEL & SPECIFICATION DECALS 모델& 사양 데칼		
40-266	ATTACHMENT NAME PLATE 어태치 명판		
40-281	DECALS 데칼		
50-249	ATTACHMENT HOSE ADAPTATION (UPRIGHT) 어태치 호스 적용 (마스트)		
53-134	SIDE SHIFT ASSEMBLY 사이드 쉬프트 어셈블리		
53-198	SIDESHIFT CYLINDER 사이드 쉬프트 실린더		
66-058	FORK 포크		
66-182	UPRIGHT MOUNTING 마스트 마운팅		
66-184	TRIPLE STAGE UPRIGHT 3단 마스트		



00.000	PRODUCTION ENGINE ASSEMBLY 엔진	00.508	GEAR, ENGINE LOWER IDLER 기어
00.063	PLUG, CRANKCASE HEAD 플러그	00.510	BEARING, ENGINE IDLER GEAR SHAFT 베어링
00.069	FASTENER, ENGINE LIFTING BRACKET 패스너	00.511	BEARING, IDLER GEAR SHAFT OUTER 베어링
00.070	FASTENER, ENGINE LIFTING BRACKET 패스너	00.519	PIN, IDLER GEAR THRUST PLUNGER 핀
00.138	FASTENER, CRANKCASE VENT TUBE CLIP 패스너	00.529	SPINDLE, IDLER GEAR 스핀들
00.142	CLAMP, CRANKCASE VENT TUBE HOSE 클램프	00.600	HEAD ASSEMBLY, CRANKCASE 헤드
00.151	PLUG, CRANKCASE HEAD REAR 플러그	00.604	GASKET, CRANKCASE HEAD 가스켓
00.183	SEAL, FUEL INJECTION PUMP ADAPTOR 씰	00.627	PLUG, CRANKCASE HEAD 플러그
00.227	CAP, ENGINE INTAKE VALVE 캡	00.628	PLUG, CRANKCASE HEAD 플러그
00.228	CAP, ENGINE EXHAUST VALVE 캡	00.639	FASTENER, CRANKCASE HEAD 패스너
00.319	GEAR, ENGINE BALANCER IDLER 기어	00.644	PIVOT, ENGINE ROCKER ARM 피봇
00.342	BONNET ASSY 본넷	00.645	SPRING, ENGINE ROCKER ARM 스프링
00.464	BRACKET, ENGINE LIFTING 브라켓	00.646	FASTENER, ENGINE ROCKER ARM PIVOT SUPPORT 패스너
00.466	BRACKET, ENGINE LIFTING 브라켓	00.647	SUPPORT, ENGINE ROCKER ARM PIVOT 서포트
00.504	FASTENER, UPPER IDLER GEAR SPINDLE 패스너	00.648	LOCATOR, ENGINE ROCKER ARM 로케이터

00.649	WASHER, ENGINE ROCKER ARM PIVOT 와셔	62.185	SHAFT, ROCKER ARM PIVOT SUPPORT 샤프트
00.650	CAMSHAFT 캠샤프트	62.186	PIN, ROCKER ARM PIVOT SUPPORT 핀
00.651	PUSH ROD, ENGINE ROCKET ARM 푸시로드	62.215	LINE, ENGINE OIL VENTILATION 라인
00.652	KEY, CAMSHAFT TIMING GEAR WOODRUFF 키	62.216	FITTING, ENGINE OIL VENT LINE 피팅
00.655	PLATE, CAMSHAFT THRUST 플레이트	62.217	CLAMP, ENGINE OIL VENT LINE 클램프
00.656	FASTENER, CAMSHAFT THRUST PLATE 패스너	90.259	NUT, ENGINE ROCKER ARM PIVOT SUPPORT FASTENER 너트
00.657	ROCKER ARM ASSEMBLY, ENGINE VALVE 로커	94.071	FASTENER, ROCKER ARM PIVOT SUPPORT 패스너
00.658	ROCKER ARM ASSEMBLY, ENGINE VALVE 로커		
00.664	GASKET, ROCKER ARM COVER 가스켓		
00.665	FASTENER, ROCKER ARM COVER 패스너		
00.677	GEAR, CAMSHAFT TIMING 기어		
00.685	VALVE, EXHAUST 밸브		
00.688	VALVE, INTAKE 밸브		
00.689	RETAINER, ENGINE VALVE SEAL 리테이너		
00.691	SPRING, ENGINE INTAKE VALVE 스프링		
00.692	SPRING, ENGINE EXHAUST VALVE 스프링		
00.693	GUIDE, INTAKE VALVE 가이드		
00.694	GUIDE, EXHAUST VALVE 가이드		
00.698	LOCK, EXHAUST VALVE SPRING SEAT 로크		
00.700	LOCK, INTAKE VALVE SPRING SEAT 로크		
00.703	SEAT, INTAKE VALVE SPRING 시트		
00.705	SEAT, EXHAUST VALVE SPRING 시트		
00.707	LIFTER, ENGINE VALVE 리프터		
00.733	PLUG, CRANKCASE HEAD END COVER 플러그		
00.738	STUD, ENGINE ROCKER ARM PIVOT SUPPORT 스터드		
00.772	SUPPORT, ENGINE ROCKER ARM PIVOT 서포트		
00.796	SEAL, CRANKCASE HEAD END COVER PLUG 씰		
01.039	COVER, CRANKCASE VENT 커버		
01.042	FASTENER, CRANKCASE VENT COVER 패스너		
01.197	BALL, ENGINE CAMSHAFT PIVOT 볼		
01.198	COLLAR, IDLE GEAR SHAFT 칼라		
01.199	COLLAR, IDLE GEAR SHAFT 칼라		
01.275	TUBE, OIL FILLER 튜브		
01.283	CAP, CRANKCASE OIL FILLER 캡		
01.286	GASKET, OIL FILLER CAP 가스켓		
02.943	FASTENER, INJECTOR NOZZLE 패스너		

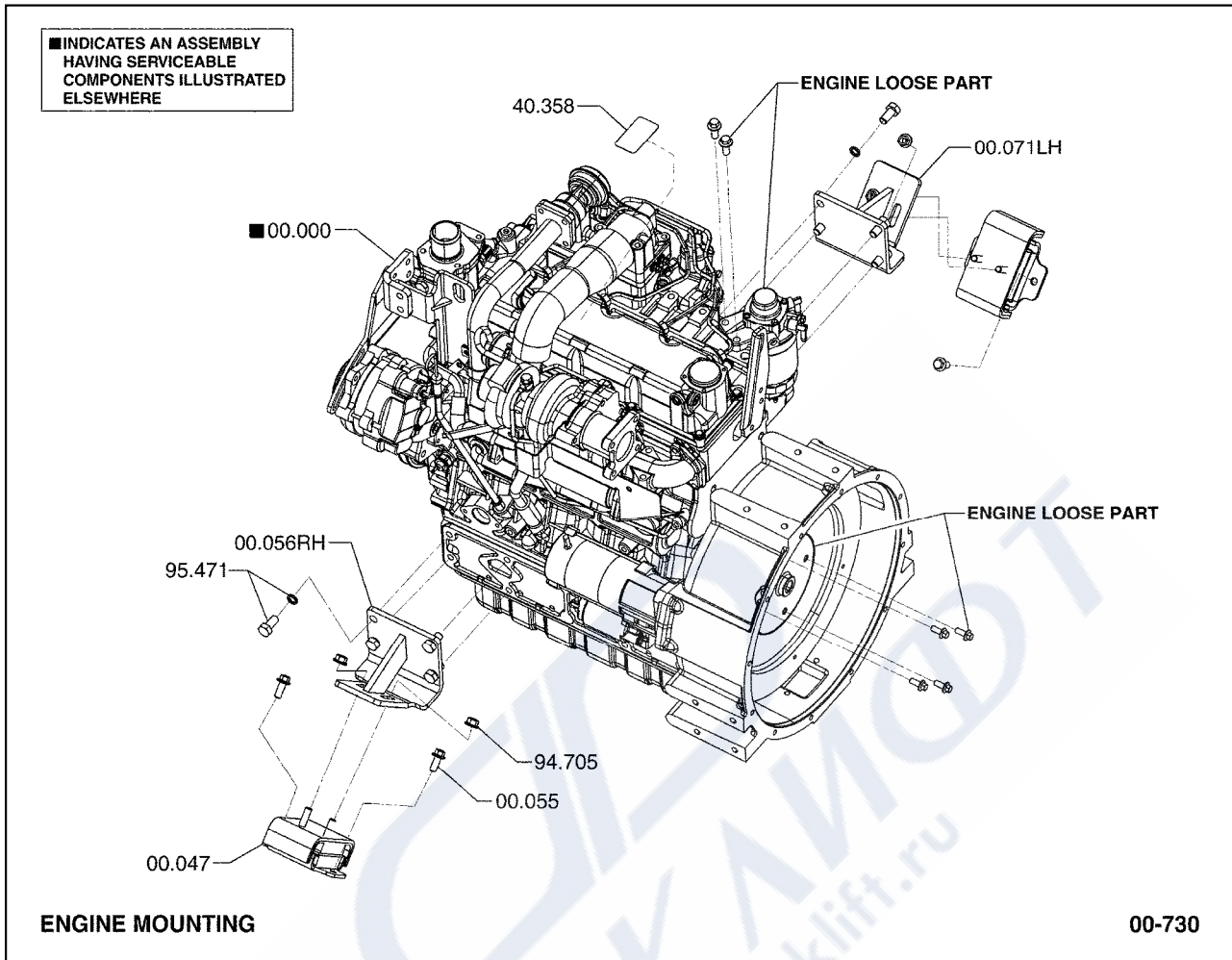


00.000	PRODUCTION ENGINE ASSEMBLY 엔진	00.358	PIN, CRANKSHAFT THRUST WASHER TO BLOCK 핀
00.011	CRANKCASE 크랭크케이스	00.360	BEARING, NO. 1 MAIN JOURNAL 베어링
00.031	PLUG, CRANKCASE 플러그	00.361	BEARING, NO. 2 MAIN JOURNAL 베어링
00.032	PLUG, CRANKCASE 플러그	00.362	BEARING, NO. 3 MAIN JOURNAL 베어링
00.033	PLUG, CRANKCASE 플러그	00.363	BEARING, NO. 4 MAIN JOURNAL 베어링
00.122	PLUG, CRANKCASE 플러그	00.364	BEARING, NO. 5 MAIN JOURNAL 베어링
00.154	PLUG - EXPANSION, CRANKCASE END 플러그	00.375	BEARING, CRANKSHAFT CLUTCH PILOT 베어링
00.155	PLUG - EXPANSION, CRANKCASE END 플러그	00.392	PIN, ENGINE ASSEMBLY 핀
00.197	PLUG-EXPANSION, CRANKCASE SIDE 플러그	00.404	GEAR, CRANKSHAFT TIMING 기어
00.200	FASTENER, CRANKSHAFT BEARING NO. 1 CAP 패스너	00.405	KEY, CRANKSHAFT TIMING GEAR 키
00.260	BEARING, CONNECTING ROD (CYL. #1) 베어링	00.455	FASTENER, REAR OIL SEAL HOUSING 패스너
00.288	PLUG, CRANKCASE 플러그	00.458	HOUSING, REAR OIL SEAL 하우징
00.350	CRANKSHAFT 크랭크샤프트	00.461	DOWEL, CRANKCASE HEAD 다웰
00.353	PLATE, CRANKSHAFT THRUST 플레이트	00.515	PIN, IDLER GEAR THRUST WASHER 핀
00.356	PLATE, CRANKSHAFT THRUST 플레이트	00.760	ROD ASSEMBLY, CONNECTING 로드

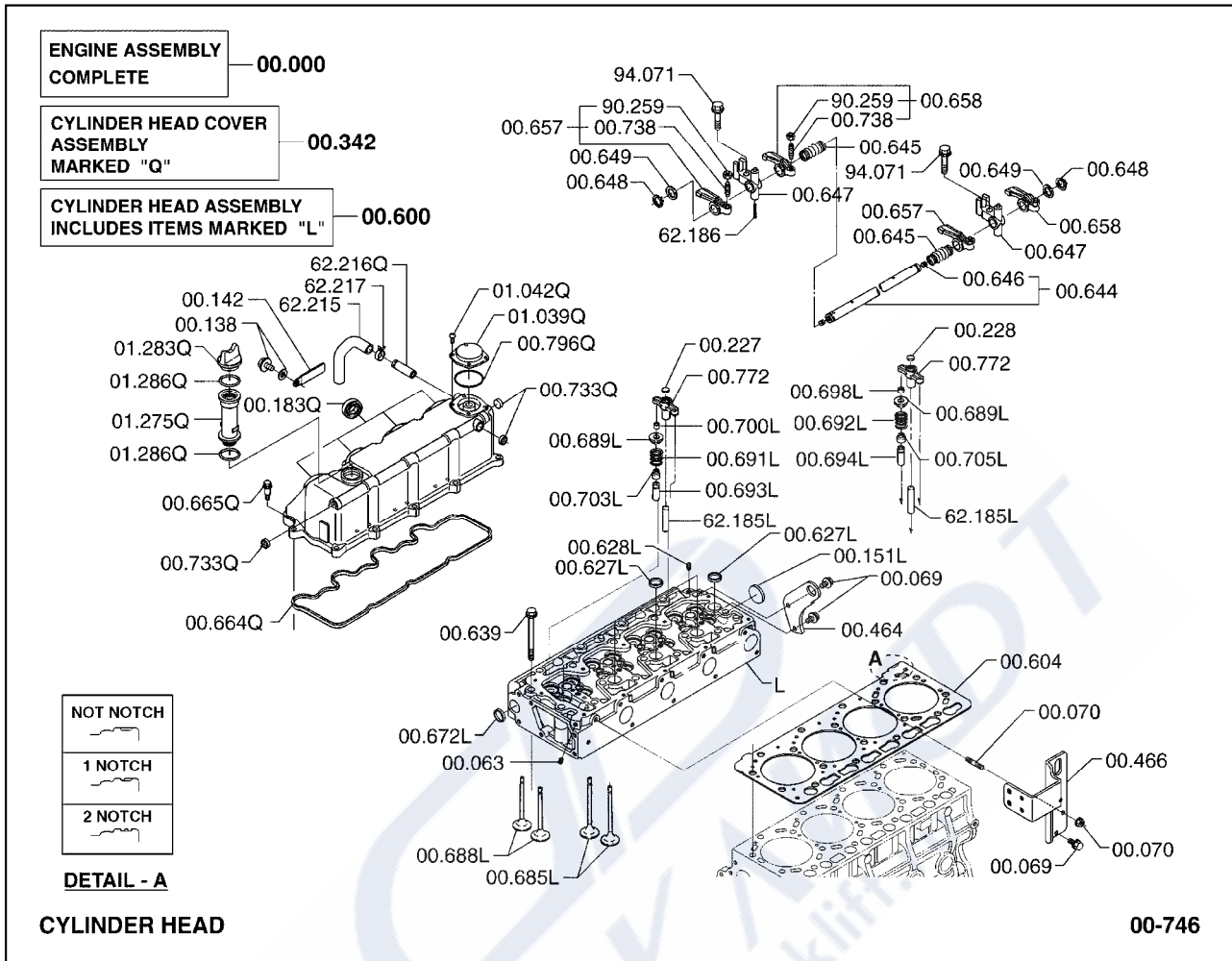
---

00.767	FASTENER, CONNECTING ROD BEARING CAP 패스너
00.803	PISTON (ONE CYLINDER) 피스톤&핀
00.805	PIN, PISTON 핀
00.815	RETAINER, PISTON PIN 리테이너
00.817	BUSHING, PISTON PIN (ENGINE SET) 부싱
00.820	PISTON RING 피스톤링
00.822	PLUG, CRANKCASE 플러그
00.846	SEAL, FLYWHEEL HOUSING 씰
01.075	PAN, CRANKCASE OIL 팬
01.077	FASTENER, OIL PAN TO CRANKCASE 패스너
01.078	FASTENER, CRANKCASE OIL PAN 패스너
01.079	FASTENER, CRANKCASE OIL PAN 패스너
01.099	PLUG, CRANKCASE OIL PAN DRAIN 플러그
01.100	GASKET, CRANKCASE OIL PAN DRAIN PLUG 가스켓
01.188	PAN, CRANKCASE OIL UPPER 팬
01.191	PIN, ENGINE OIL PAN 핀
01.212	FITTING, WATER INLET ELBOW OUTLET 피팅
01.369	FITTING, OIL MANIFOLD TO OIL FILTER 피팅
01.500	PLUG, WATER PUMP DISCHARGE FLANGE 플러그
01.689	FITTING, WATER PUMP OUTLET PORT 피팅
01.706	STRAINER, OIL PUMP OIL 스트레이너
01.725	GASKET, OIL STRAINER FRAME 가스켓
01.732	FASTENER, OIL PUMP STRAINER TUBE 패스너
01.789	GEAR, OIL PUMP DRIVE 기어
02.705	GASKET, WATER CORE PLUG 가스켓





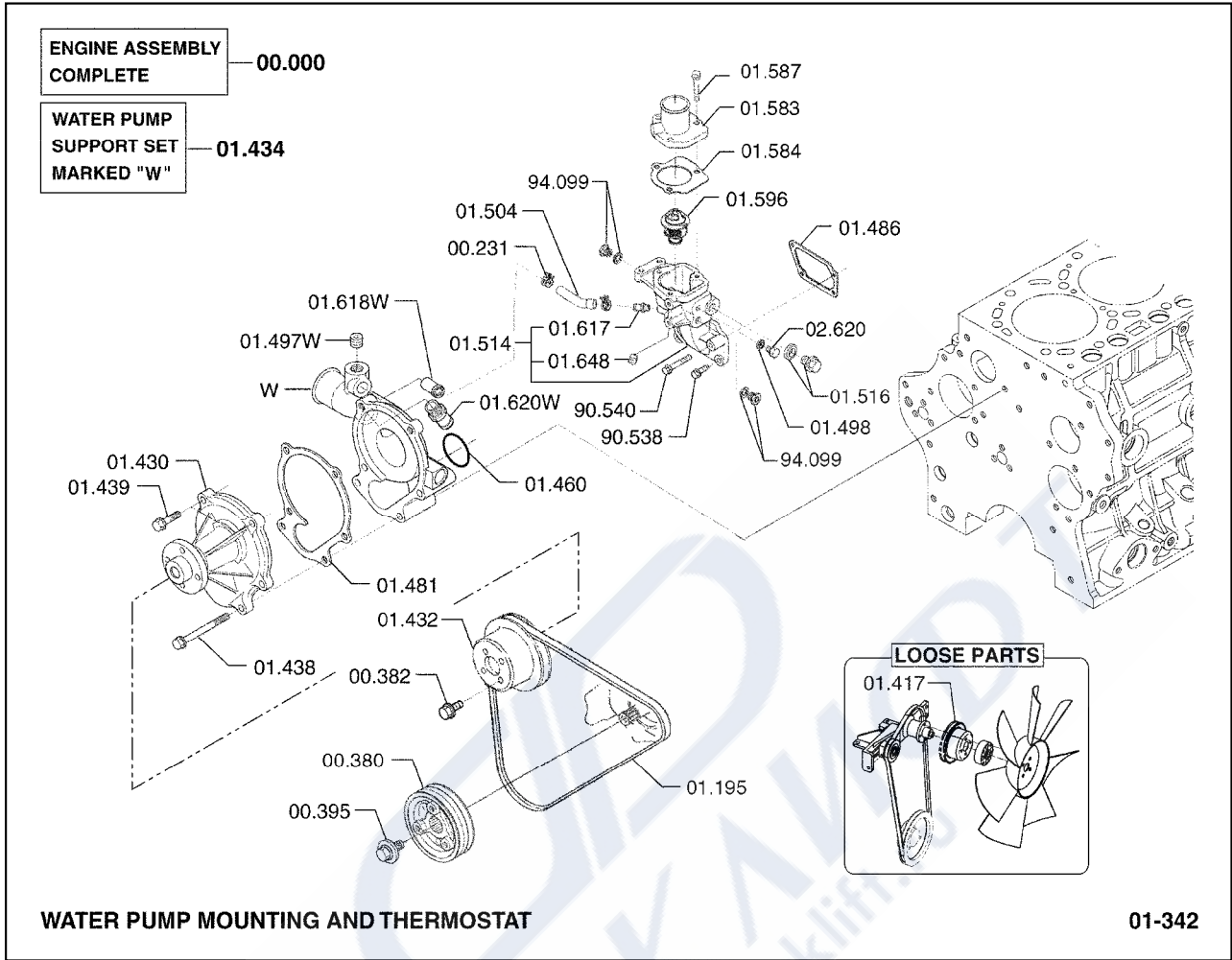
00.000	PRODUCTION ENGINE ASSEMBLY 엔진
00.047	DAMPENER, ENGINE FRONT VIBRATION 댐프너
00.055	FASTENER, ENGINE FRONT VIBRATION DAMPENER 패스너
00.056	MOUNT, ENGINE RH 마운트
00.071	MOUNT, ENGINE LH 마운트
40.358	DECAL, ENGINE FLEXIBILITY SCHEME 데칼
94.705	FASTENER, ENGINE MOUNTING BRACKET 패스너
95.471	FASTENER, ENGINE MOUNT 패스너



00.000	PRODUCTION ENGINE ASSEMBLY 엔진	00.627	PLUG, CRANKCASE HEAD 플러그
00.063	PLUG, CRANKCASE HEAD 플러그	00.628	PLUG, CRANKCASE HEAD 플러그
00.069	FASTENER, ENGINE LIFTING BRACKET 패스너	00.639	FASTENER, CRANKCASE HEAD 패스너
00.070	FASTENER, ENGINE LIFTING BRACKET 패스너	00.644	PIVOT, ENGINE ROCKER ARM 피봇
00.138	FASTENER, CRANKCASE VENT TUBE CLIP 패스너	00.645	SPRING, ENGINE ROCKER ARM 스프링
00.142	CLAMP, CRANKCASE VENT TUBE HOSE 클램프	00.646	FASTENER, ENGINE ROCKER ARM PIVOT SUPPORT 패스너
00.151	PLUG, CRANKCASE HEAD REAR 플러그	00.647	SUPPORT, ENGINE ROCKER ARM PIVOT 서포트
00.183	SEAL, FUEL INJECTION PUMP ADAPTOR 씰	00.648	LOCATOR, ENGINE ROCKER ARM 로케이터
00.227	CAP, ENGINE INTAKE VALVE 캡	00.649	WASHER, ENGINE ROCKER ARM PIVOT 와셔
00.228	CAP, ENGINE EXHAUST VALVE 캡	00.657	ROCKER ARM ASSEMBLY, ENGINE VALVE 로커
00.342	BONNET ASSY 본넷	00.658	ROCKER ARM ASSEMBLY, ENGINE VALVE 로커
00.464	BRACKET, ENGINE LIFTING 브라켓	00.664	GASKET, ROCKER ARM COVER 가스켓
00.466	BRACKET, ENGINE LIFTING 브라켓	00.665	FASTENER, ROCKER ARM COVER 패스너
00.600	HEAD ASSEMBLY, CRANKCASE 헤드	00.672	SHAFT, DISTRIBUTOR DRIVE 샤프트
00.604	GASKET, CRANKCASE HEAD 가스켓	00.685	VALVE, EXHAUST 밸브

---

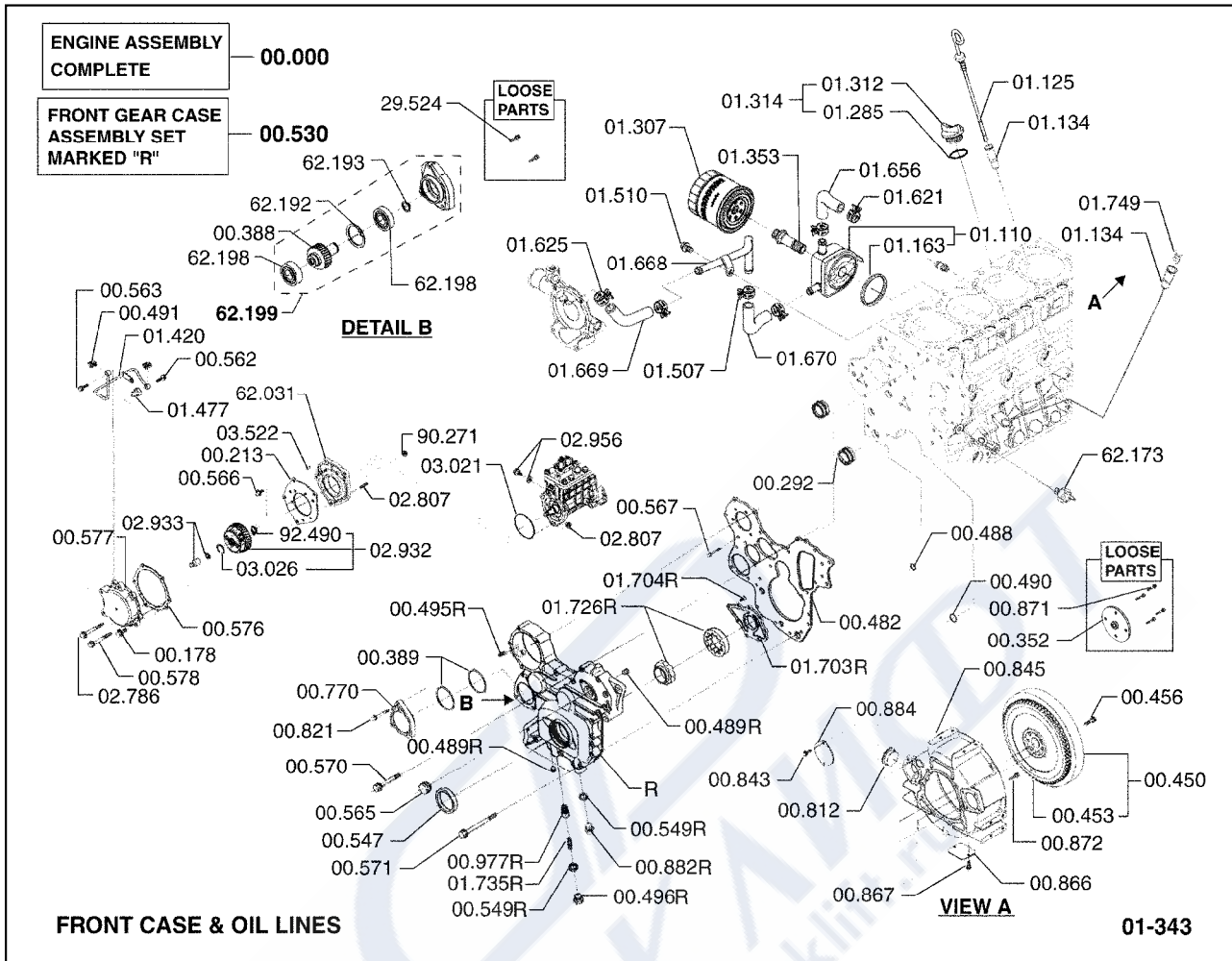
00.688	VALVE, INTAKE 밸브
00.689	RETAINER, ENGINE VALVE SEAL 리테이너
00.691	SPRING, ENGINE INTAKE VALVE 스프링
00.692	SPRING, ENGINE EXHAUST VALVE 스프링
00.693	GUIDE, INTAKE VALVE 가이드
00.694	GUIDE, EXHAUST VALVE 가이드
00.698	LOCK, EXHAUST VALVE SPRING SEAT 로크
00.700	LOCK, INTAKE VALVE SPRING SEAT 로크
00.703	SEAT, INTAKE VALVE SPRING 시트
00.705	SEAT, EXHAUST VALVE SPRING 시트
00.733	PLUG, CRANKCASE HEAD END COVER 플러그
00.738	STUD, ENGINE ROCKER ARM PIVOT SUPPORT 스터드
00.772	SUPPORT, ENGINE ROCKER ARM PIVOT 서포트
00.796	SEAL, CRANKCASE HEAD END COVER PLUG 씰
01.039	COVER, CRANKCASE VENT 커버
01.042	FASTENER, CRANKCASE VENT COVER 패스너
01.275	TUBE, OIL FILLER 튜브
01.283	CAP, CRANKCASE OIL FILLER 캡
01.286	GASKET, OIL FILLER CAP 가스켓
62.185	SHAFT, ROCKER ARM PIVOT SUPPORT 샤프트
62.186	PIN, ROCKER ARM PIVOT SUPPORT 핀
62.215	LINE, ENGINE OIL VENTILATION 라인
62.216	FITTING, ENGINE OIL VENT LINE 피팅
62.217	CLAMP, ENGINE OIL VENT LINE 클램프
90.259	NUT, ENGINE ROCKER ARM PIVOT SUPPORT FASTENER 너트
94.071	FASTENER, ROCKER ARM PIVOT SUPPORT 패스너



00.000	PRODUCTION ENGINE ASSEMBLY 엔진	01.497	PLUG, WATER PUMP BODY 플러그
00.231	CLAMP, WATER PUMP BLEEDER HOSE 클램프	01.498	SEAL, WATER PUMP BODY PLUG 씰
00.380	PULLEY, CRANKSHAFT 풀리	01.504	PIPE, ENGINE WATER PUMP INLET 파이프
00.382	FASTENER, CRANKSHAFT ACCESS DR PULLEY 패스너	01.514	FLANGE, ENGINE WATER PUMP DISCHARGE 플랜지
00.395	FASTENER, CRANKSHAFT PULLEY 패스너	01.516	FASTENER, ENGINE WATER PUMP DISCHARGE FLANGE 패스너
01.195	BELT, FAN 벨트	01.583	COVER, WATER INLET 커버
01.417	PULLEY, FAN 풀리	01.584	GASKET, WATER INLET COVER 가스켓
01.430	PUMP ASSEMBLY, ENGINE WATER 펌프	01.587	FASTENER, WATER INLET COVER 패스너
01.432	PULLEY, WATER PUMP 풀리	01.596	THERMOSTAT, ENGINE 서모스탯
01.434	COVER, WATER PUMP 커버	01.617	FITTING, WATER PUMP BLEEDER LINE 피팅
01.438	FASTENER, WATER PUMP 패스너	01.618	FITTING, WATER PUMP BLEEDER LINE 피팅
01.439	FASTENER, WATER PUMP 패스너	01.620	FITTING, WATER PUMP BLEEDER LINE 피팅
01.460	SEAL, WATER PUMP 씰	01.648	PLUG, ENGINE THERMOSTAT HOUSING 플러그
01.481	GASKET, ENGINE WATER PUMP BODY 가스켓	02.620	PLUG, WATER JACKET DRAIN 플러그
01.486	GASKET, WATER PUMP FRONT TO REAR BODY 가스켓	90.538	BOLT, ENGINE THERMOSTAT HOUSING 볼트

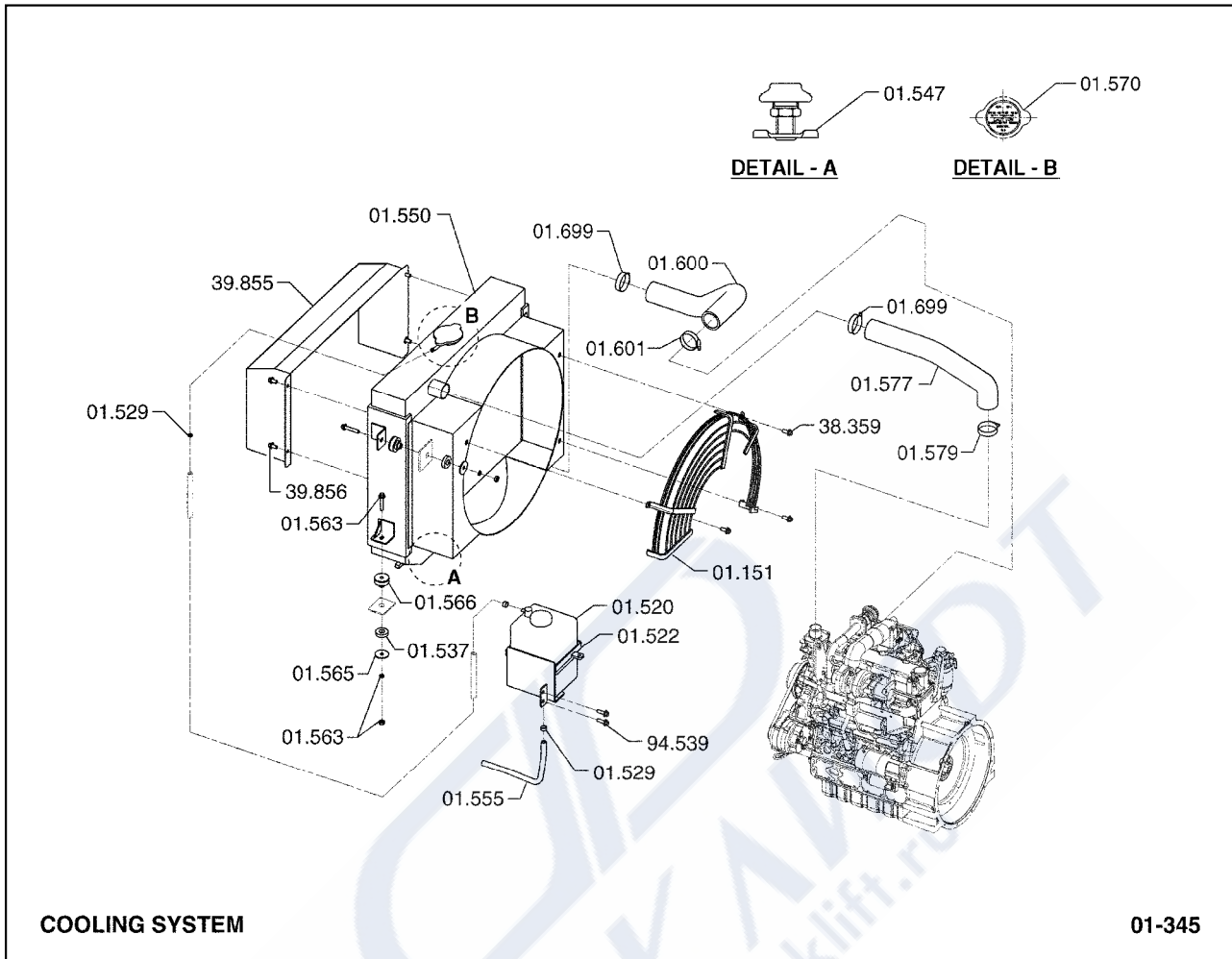
90.540	BOLT, ENGINE THERMOSTAT HOUSING 볼트
94.099	FASTENER, WATER PUMP DISCHARGE FLANGE 패스너

ФОРКЛИФТ  
www.forklift.ru



00.000	PRODUCTION ENGINE ASSEMBLY 엔진	00.495	FASTENER, ENGINE FRONT GEAR COVER 패스너
00.178	FASTENER, CRANKCASE FUEL PUMP HOLE COVER 패스너	00.496	PLUG, ENGINE FRONT GEAR COVER 플러그
00.213	GASKET, FUEL INJECTION PUMP ADAPTOR 가스켓	00.530	COVER, ENGINE FRONT GEAR 커버
00.292	PLUG, CRANKCASE 플러그	00.547	SEAL, ENGINE FRONT GEAR COVER 씰
00.352	ADAPTOR, FLYWHEEL MOUNTING 어댑터	00.549	GASKET, ENGINE FRONT GEAR COVER SEAL 가스켓
00.388	GEAR, CRANKSHAFT HYDRAULIC PUMP 기어	00.562	FASTENER, ENGINE FRONT GEAR COVER 패스너
00.389	RING, LOCATING (CRANKSHAFT HYD PUMP GEAR) 링	00.563	FASTENER, ENGINE FRONT GEAR COVER 패스너
00.450	FLYWHEEL 플라이휠	00.565	PLUG - EXPANSION, ENGINE FRONT GEAR COVER 플러그
00.453	GEAR, FLYWHEEL RING 기어	00.566	FASTENER, ENGINE FRONT GEAR COVER 패스너
00.456	FASTENER, CRANKSHAFT TO FLYWHEEL 패스너	00.567	FASTENER, ENGINE FRONT GEAR COVER 패스너
00.482	PLATE, GEAR COVER BACKING 플레이트	00.570	FASTENER, BACKING PLATE 패스너
00.488	SEAL, ENGINE FRONT GEAR COVER PLUG 씰	00.571	FASTENER, BACKING PLATE 패스너
00.489	PLUG, ENGINE FRONT GEAR COVER 플러그	00.576	GASKET, INJECTION PUMP GEAR ACCESS COVER 가스켓
00.490	SEAL, ENGINE FRONT GEAR COVER PLUG 씰	00.577	COVER, INJECTION PUMP GEAR ACCESS 커버
00.491	SEAL, ENGINE FRONT GEAR COVER PLUG 씰	00.578	FASTENER, INJECTION PUMP GEAR ACCESS COVER 패스너

00.770	COVER, HYDRAULIC PUMP MOUNTING HOLE 커버	02.786	FASTENER, FUEL PUMP COVER TO BODY 패스너
00.812	PLUG, FLYWHEEL HOUSING 플러그	02.807	FASTENER, FUEL PUMP BODY BOTTOM COVER 패스너
00.821	FASTENER, HYDRAULIC PUMP TO GEAR COVER PLATE 패스너	02.932	GEAR, FUEL INJECTION PUMP DRIVE 기어
00.843	FASTENER, FLYWHEEL HOUSING DUST SHIELD 패스너	02.933	FASTENER, INJECTION PUMP DRIVE HUB 패스너
00.845	HOUSING, FLYWHEEL 하우징	02.956	FASTENER, FUEL INJECTION PUMP 패스너
00.866	COVER, FLYWHEEL HOUSING TIMING HOLE 커버	03.021	GASKET, FUEL INJECTION PUMP MOUNTING 가스켓
00.867	FASTENER, FLYWHEEL HOUSING TIMING HOLE COVER 패스너	03.026	RETAINER, FUEL INJECTION PUMP DRIVER 리테이너
00.871	FASTENER, FLYWHEEL HOUSING 패스너	03.522	PIN, FUEL INJECTION PUMP ADAPTOR 핀
00.872	FASTENER, FLYWHEEL HOUSING 패스너	29.524	FASTENER, AUXILIARY HYD PUMP 패스너
00.882	PLUG, CRANKCASE DRAIN COCK HOLE 플러그	62.031	SUPPORT, FUEL INFECTION PUMP DRIVE 서포트
00.884	COVER, CAMSHAFT TIMING GEAR INSPECTION 커버	62.173	SWITCH, ENGINE OIL PRESSURE 스위치
00.977	RELIEF VALVE,ENGINE BALANCER GEAR 릴리프밸브	62.192	SNAP RING, HYDRAULIC PUMP SUPPORT 스냅링
01.110	OIL COOLER 오일쿨러	62.193	SNAP RING, HYDRAULIC PUMP SUPPORT 스냅링
01.125	DIPSTICK, CRANKCASE OIL LEVEL 딥스틱	62.198	BEARING, HYDRAULIC PUMP GEAR 베어링
01.134	ADAPTOR, CRANKCASE OIL LEVEL DIPSTICK 어댑터	62.199	GEAR KIT, HYDRAULIC PUMP 기어키트
01.163	GASKET, ENGINE OIL COOLER 가스켓	90.271	NUT, FUEL INJECTION PUMP FASTENER 너트
01.285	GASKET, CRANKCASE OIL FILLER TUBE 가스켓	92.490	RETAINER, FUEL INJECTION PUMP DRIVE GEAR FASTENE 리테이너
01.307	CARTRIDGE & GASKET, ENGINE OIL FILTER 카트리지와 가스켓		
01.312	CAP, OIL FILLER 캡		
01.314	CAP ASSEMBLY, OIL FILLER 캡		
01.353	FITTING, BLOCK TO OIL FILTER 피팅		
01.420	LINE, IDLER GEAR LUBRICATING 라인		
01.477	FITTING, PUMP DRIVE LUBRICATING LINE 피팅		
01.507	CLAMP, WATER PUMP BODY OUTLET CAP 클램프		
01.510	FASTENER, ENGINE WATER PUMP INLET PIPE 패스너		
01.621	CLAMP, WATER PUMP BLEEDER LINE 클램프		
01.625	CLAMP, WATER OUTLET HOUSING HOSE 클램프		
01.656	LINE, ENGINE OIL COOLING HEAT EXCHANGER 라인		
01.668	LINE, ENGINE WATER FLOW 라인		
01.669	LINE, ENGINE WATER FLOW 라인		
01.670	LINE, ENGINE WATER FLOW 라인		
01.703	COVER, OIL PUMP 커버		
01.704	FASTENER, OIL PUMP COVER 패스너		
01.726	ROTOR & SHAFT ASSEMBLY, OIL PUMP DRIVE 로터& 샤프트		
01.735	SPRING, OIL PUMP STRAINER 스프링		
01.749	PLUG, OIL PAN DIPSTICK HOLE 플러그		



COOLING SYSTEM

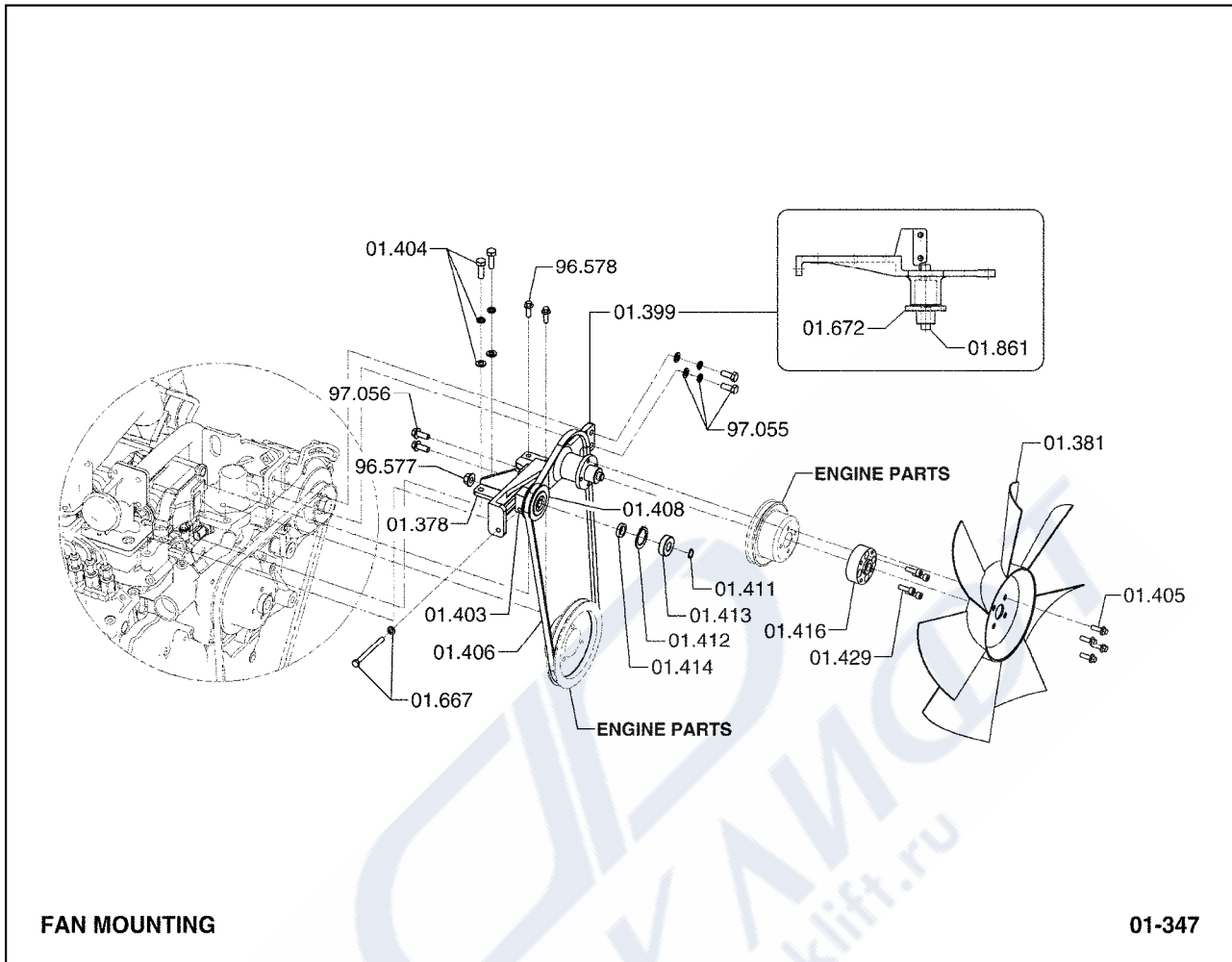
01-345

01.151	GUARD, RADIATOR FAN 가드
01.520	COMPENSATION TANK, COOLING SYSTEM 보상기
01.522	BRACKET, COMPENSATION TANK 브라켓
01.529	CLAMP, RADIATOR OVERFLOW LINE 클램프
01.537	PAD, RADIATOR MOUNTING LOWER 패드
01.547	DRAIN COCK, RADIATOR 드레인콕
01.550	RADIATOR 라디에이터
01.555	LINE, RADIATOR OVERFLOW 라인
01.563	FASTENER, RADIATOR MOUNTING BRACKET 패스너



---

01.565	SPACER, RADIATOR MOUNTING 스페이서
01.566	PAD, RADIATOR MOUNTING 패드
01.570	CAP, RADIATOR 캡
01.577	HOSE, RADIATOR UPPER 호스
01.579	CLAMP, RADIATOR UPPER HOSE 클램프
01.600	HOSE, RADIATOR LOWER 호스
01.601	CLAMP, RADIATOR LOWER HOSE 클램프
01.699	CLAMP, RADIATOR HOSE FASTENER 클램프
38.359	FASTENER, RADIATOR GUARD 패스너
39.855	SHIELD, RADIATOR DUST 실드
39.856	FASTENER, RADIATOR DUST SHIELD 패스너
94.539	FASTENER, COMPENSATION TANK BRACKET 패스너



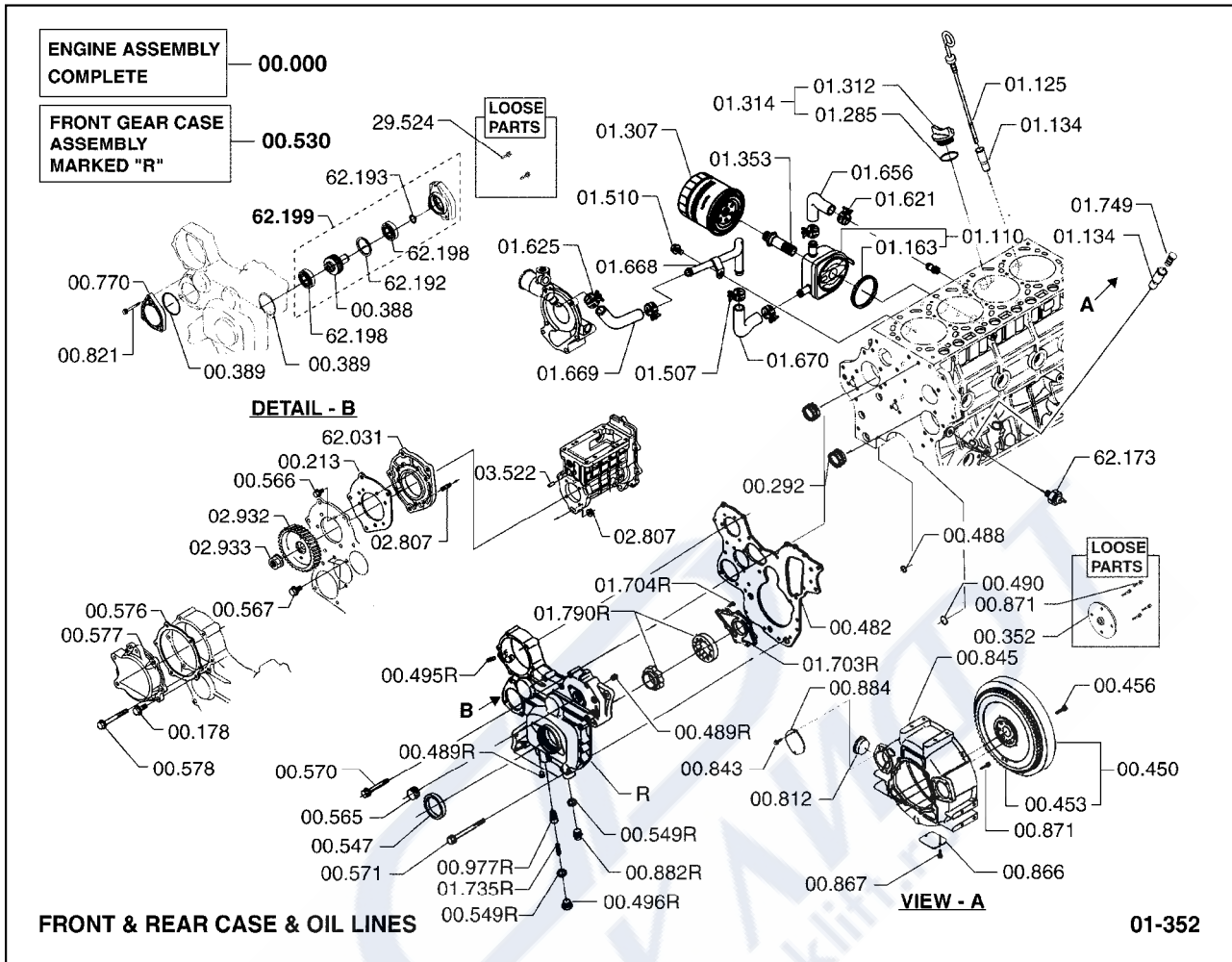
FAN MOUNTING

01-347

- |        |                                |
|--------|--------------------------------|
| 01.378 | BRACE, FAN BRACKET<br>브레이스     |
| 01.381 | BLADE, FAN<br>블레이드             |
| 01.399 | BRACKET, FAN MOUNTING<br>브라켓   |
| 01.403 | ADJUSTOR, FAN<br>어드저스터         |
| 01.404 | FASTENER, FAN BRACKET<br>패스너   |
| 01.405 | FASTENER, FAN BLADE<br>패스너     |
| 01.406 | BELT, FAN<br>벨트                |
| 01.408 | SHEAVE ASSEMBLY, IDLER<br>쉬브   |
| 01.411 | RETAINER, IDLER SHEAVE<br>리테이너 |

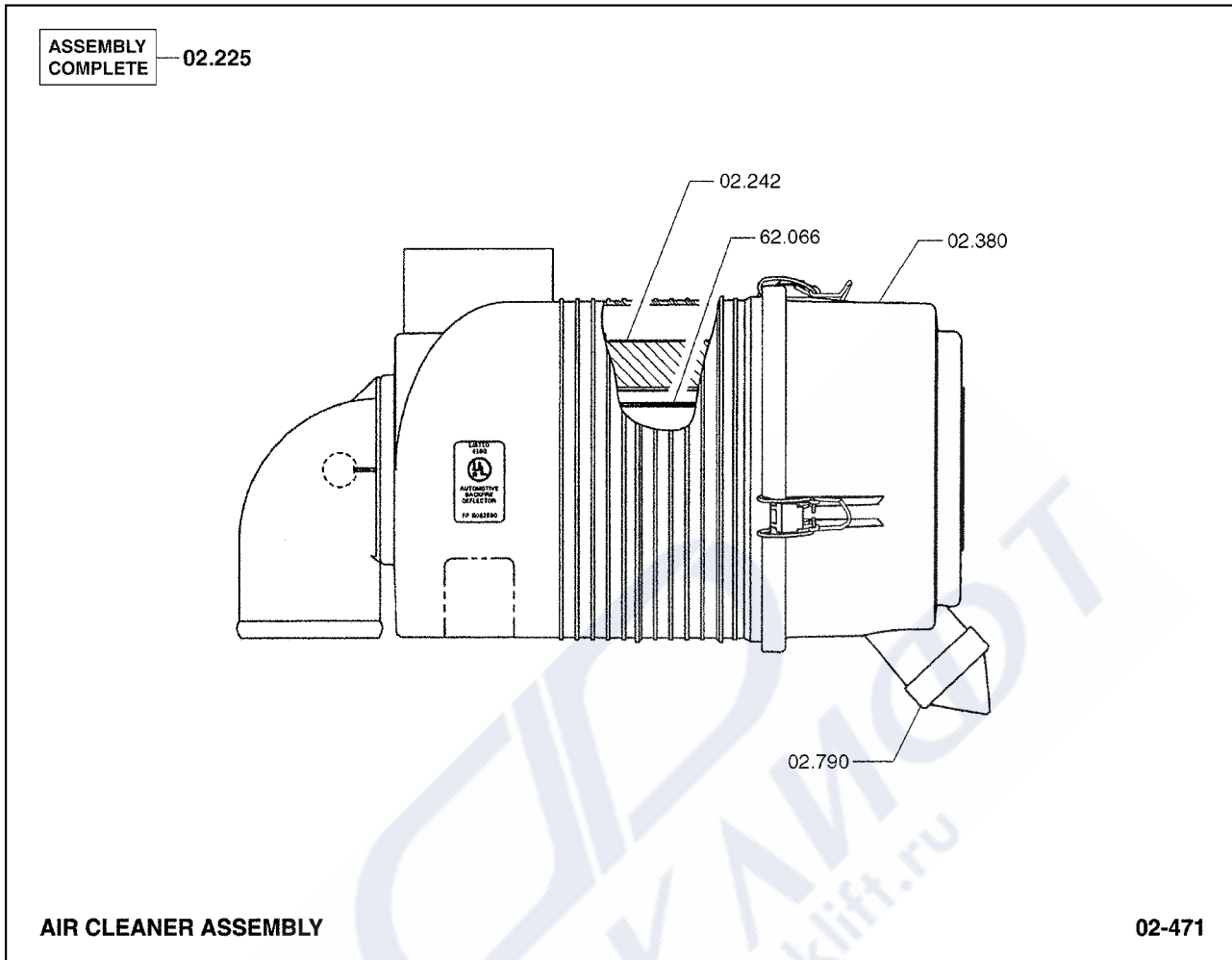
---

01.412	RETAINER, IDLER SHEAVE BEARING 리테이너
01.413	BEARING, BELT IDLER SHEAVE 베어링
01.414	SPINDLE, BELT IDLER SHEAVE 스핀들
01.416	SPACER, FAN BLADE 스페이서
01.429	FASTENER, FAN CONTROL 패스너
01.667	FASTENER, FAN PULLEY 패스너
01.672	HUB, FAN DRIVE 허브
01.861	BEARING, FAN DRIVE HUB 베어링
96.577	FASTENER, FAN MOUNTING BRACKET 패스너
96.578	FASTENER, FAN MOUNTING BRACKET 패스너
97.055	FASTENER, FAN BRACKET MOUNTING 패스너
97.056	FASTENER, FAN MOUNTING BRACKET 패스너

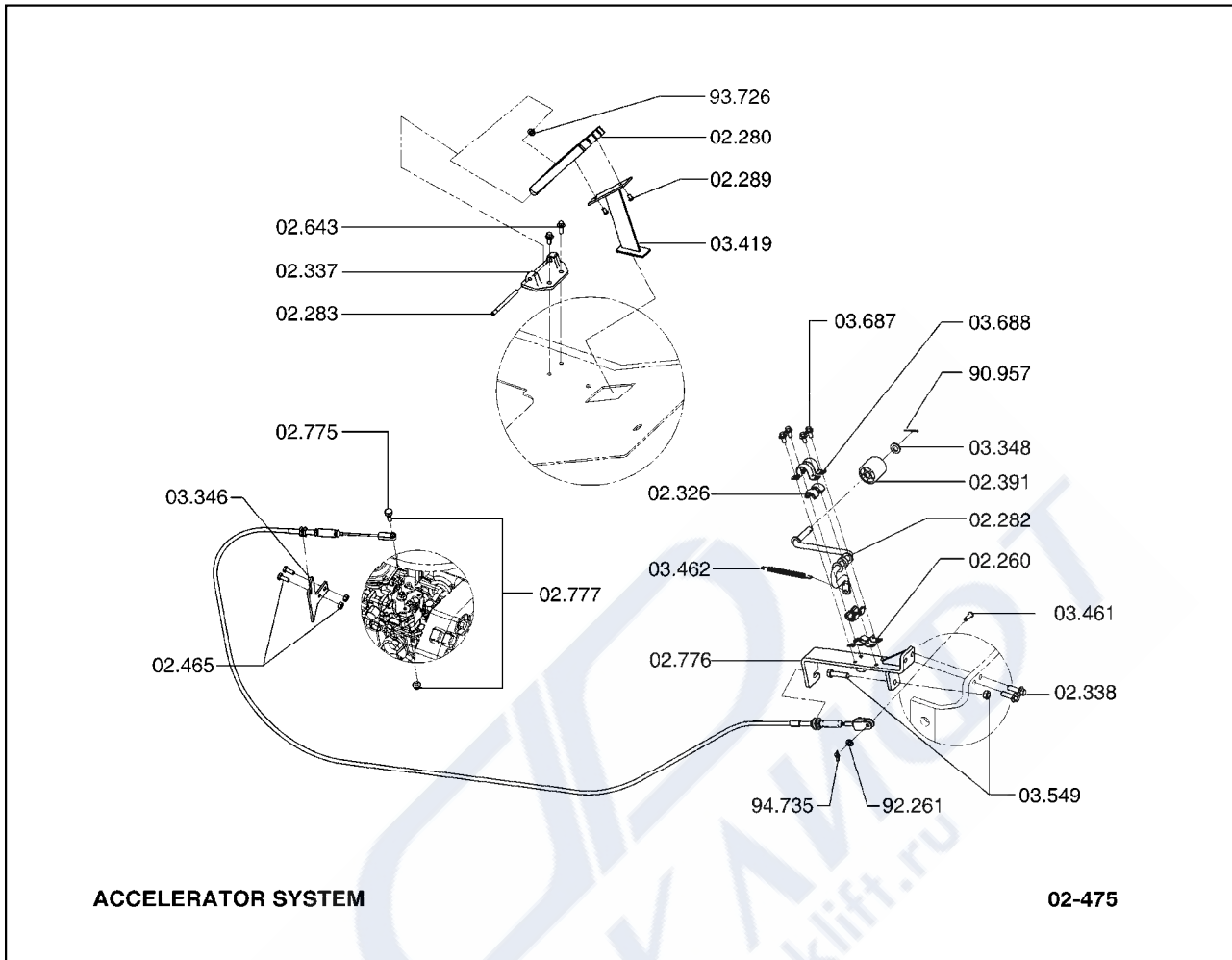


00.000	PRODUCTION ENGINE ASSEMBLY 엔진	00.496	PLUG, ENGINE FRONT GEAR COVER 플러그
00.178	FASTENER, CRANKCASE FUEL PUMP HOLE COVER 패스너	00.530	COVER, ENGINE FRONT GEAR 커버
00.213	GASKET, FUEL INJECTION PUMP ADAPTOR 가스켓	00.547	SEAL, ENGINE FRONT GEAR COVER 씰
00.292	PLUG, CRANKCASE 플러그	00.549	GASKET, ENGINE FRONT GEAR COVER SEAL 가스켓
00.352	ADAPTOR, FLYWHEEL MOUNTING 어댑터	00.565	PLUG - EXPANSION, ENGINE FRONT GEAR COVER 플러그
00.388	GEAR, CRANKSHAFT HYDRAULIC PUMP 기어	00.566	FASTENER, ENGINE FRONT GEAR COVER 패스너
00.389	RING, LOCATING (CRANKSHAFT HYD PUMP GEAR) 링	00.567	FASTENER, ENGINE FRONT GEAR COVER 패스너
00.450	FLYWHEEL 플라이휠	00.570	FASTENER, BACKING PLATE 패스너
00.453	GEAR, FLYWHEEL RING 기어	00.571	FASTENER, BACKING PLATE 패스너
00.456	FASTENER, CRANKSHAFT TO FLYWHEEL 패스너	00.576	GASKET, INJECTION PUMP GEAR ACCESS COVER 가스켓
00.482	PLATE, GEAR COVER BACKING 플레이트	00.577	COVER, INJECTION PUMP GEAR ACCESS 커버
00.488	SEAL, ENGINE FRONT GEAR COVER PLUG 씰	00.578	FASTENER, INJECTION PUMP GEAR ACCESS COVER 패스너
00.489	PLUG, ENGINE FRONT GEAR COVER 플러그	00.770	COVER, HYDRAULIC PUMP MOUNTING HOLE 커버
00.490	SEAL, ENGINE FRONT GEAR COVER PLUG 씰	00.812	PLUG, FLYWHEEL HOUSING 플러그
00.495	FASTENER, ENGINE FRONT GEAR COVER 패스너	00.821	FASTENER, HYDRAULIC PUMP TO GEAR COVER PLATE 패스너

00.843	FASTENER, FLYWHEEL HOUSING DUST SHIELD 패스너	62.173	SWITCH, ENGINE OIL PRESSURE 스위치
00.845	HOUSING, FLYWHEEL 하우징	62.192	SNAP RING, HYDRAULIC PUMP SUPPORT 스냅링
00.866	COVER, FLYWHEEL HOUSING TIMING HOLE 커버	62.193	SNAP RING, HYDRAULIC PUMP SUPPORT 스냅링
00.867	FASTENER, FLYWHEEL HOUSING TIMING HOLE COVER 패스너	62.198	BEARING, HYDRAULIC PUMP GEAR 베어링
00.871	FASTENER, FLYWHEEL HOUSING 패스너	62.199	GEAR KIT, HYDRAULIC PUMP 기어키트
00.882	PLUG, CRANKCASE DRAIN COCK HOLE 플러그		
00.884	COVER, CAMSHAFT TIMING GEAR INSPECTION 커버		
00.977	RELIEF VALVE, ENGINE BALANCER GEAR 릴리프밸브		
01.110	OIL COOLER 오일쿨러		
01.125	DIPSTICK, CRANKCASE OIL LEVEL 딤스틱		
01.134	ADAPTOR, CRANKCASE OIL LEVEL DIPSTICK 어댑터		
01.163	GASKET, ENGINE OIL COOLER 가스켓		
01.285	GASKET, CRANKCASE OIL FILLER TUBE 가스켓		
01.307	CARTRIDGE & GASKET, ENGINE OIL FILTER 카트리지와 가스켓		
01.312	CAP, OIL FILLER 캡		
01.314	CAP ASSEMBLY, OIL FILLER 캡		
01.353	FITTING, BLOCK TO OIL FILTER 피팅		
01.507	CLAMP, WATER PUMP BODY OUTLET CAP 클램프		
01.510	FASTENER, ENGINE WATER PUMP INLET PIPE 패스너		
01.621	CLAMP, WATER PUMP BLEEDER LINE 클램프		
01.625	CLAMP, WATER OUTLET HOUSING HOSE 클램프		
01.656	LINE, ENGINE OIL COOLING HEAT EXCHANGER 라인		
01.668	LINE, ENGINE WATER FLOW 라인		
01.669	LINE, ENGINE WATER FLOW 라인		
01.670	LINE, ENGINE WATER FLOW 라인		
01.703	COVER, OIL PUMP 커버		
01.704	FASTENER, OIL PUMP COVER 패스너		
01.735	SPRING, OIL PUMP STRAINER 스프링		
01.749	PLUG, OIL PAN DIPSTICK HOLE 플러그		
01.790	GEAR, OIL PUMP DRIVEN 기어		
02.807	FASTENER, FUEL PUMP BODY BOTTOM COVER 패스너		
02.932	GEAR, FUEL INJECTION PUMP DRIVE 기어		
02.933	FASTENER, INJECTION PUMP DRIVE HUB 패스너		
03.522	PIN, FUEL INJECTION PUMP ADAPTOR 핀		
29.524	FASTENER, AUXILIARY HYD PUMP 패스너		
62.031	SUPPORT, FUEL INJECTION PUMP DRIVE 서포트		



02.225	CLEANER ASSEMBLY, ENGINE INTAKE AIR 에어클리너
02.242	ELEMENT & GASKET, ENGINE INTAKE AIR CLEANER 엘리먼트& 가스켓
02.380	CAP,FILTER 캡
02.790	VALVE, ENGINE INTAKE AIR CLEANER DUST UNLDR 밸브
62.066	ELEMENT & GASKET, ENGINE INTAKE AIR CLEANER 엘리먼트& 가스켓

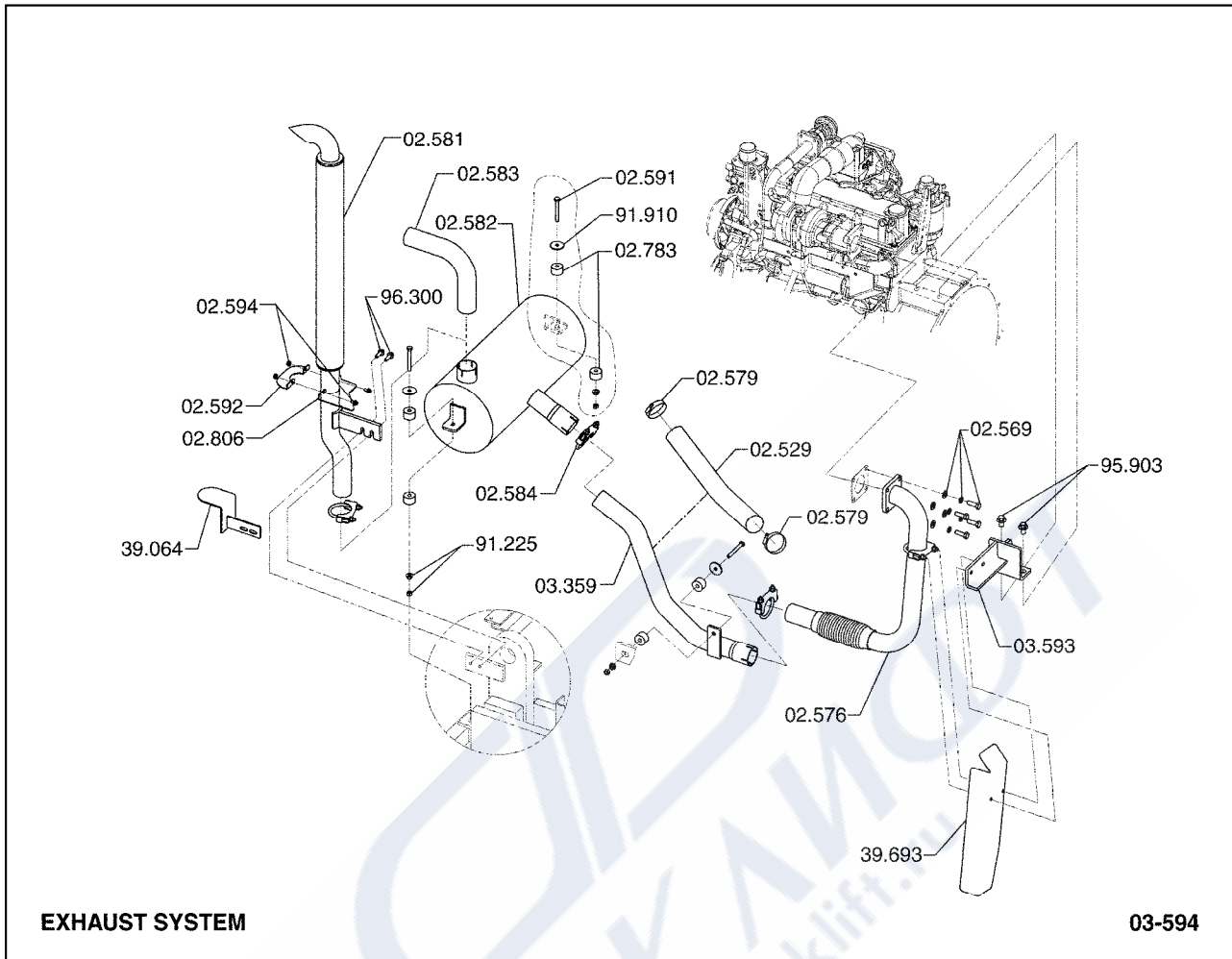


- |        |  |
|--------|--|
| 02.260 | BRACKET, ACCELERATOR LINKAGE MOUNTING<br>브라켓         |
| 02.280 | PEDAL, ACCELERATOR<br>페달                             |
| 02.282 | ROD, ACCELERATOR PUSH<br>로드                          |
| 02.283 | PIN, ACCELERATOR PEDAL TO BRACKET PIVOT<br>핀         |
| 02.289 | FASTENER, ACCELERATOR PEDAL BRACKET ATTACHING<br>패스너 |
| 02.326 | BEARING, ACCELERATOR LEVER<br>베어링                    |
| 02.337 | BRACKET, ACCELERATOR LEVER MOUNTING<br>브라켓           |
| 02.338 | FASTENER, ACCELERATOR LEVER MOUNTING BRACKET<br>패스너  |
| 02.391 | FITTING, REGULATOR OUTLET LINE<br>피팅                 |

---

02.465	FASTENER, ACCELERATOR CONTROL LINKAGE 패스너
02.643	FASTENER, ACCELERATOR PEDAL HEEL SUPPORT 패스너
02.775	CABLE, ACCELERATOR CONTROL 케이블
02.776	BRACKET, ACCELERATOR CONTROL CABLE 브라켓
02.777	FASTENER, ACCELERATOR CONTROL CABLE 패스너
03.346	BRACKET, ACCELERATOR LINKAGE 브라켓
03.348	WASHER, ACCELERATOR LINKAGE RETURN LEVER FAST 와셔
03.419	WEAR PLATE, ACCELERATOR PEDAL ROLLER 웨어플레이트
03.461	PIN, ACCELERATOR CONTROL ROD END 핀
03.462	SPRING, ACCELERATOR PEDAL RETURN 스프링
03.549	FASTENER, ACCELERATOR LINKAGE MOUNTING BRACKET 패스너
03.687	FASTENER, ACC CONTROL CABLE BRACKET MTG 패스너
03.688	BRACKET, ACCELERATOR LEVER ATTACHING 브라켓
90.957	RETAINER, ACCELERATOR LINKAGE LEVER PIN 리테이너
92.261	WASHER, ACCELERATOR CONTROL ROD END FASTENER 와셔
93.726	WASHER, ACCELERATOR PEDAL PIVOT RETAINER 와셔
94.735	RETAINER, ACCELERATOR CONTROL ROD END PIN 리테이너

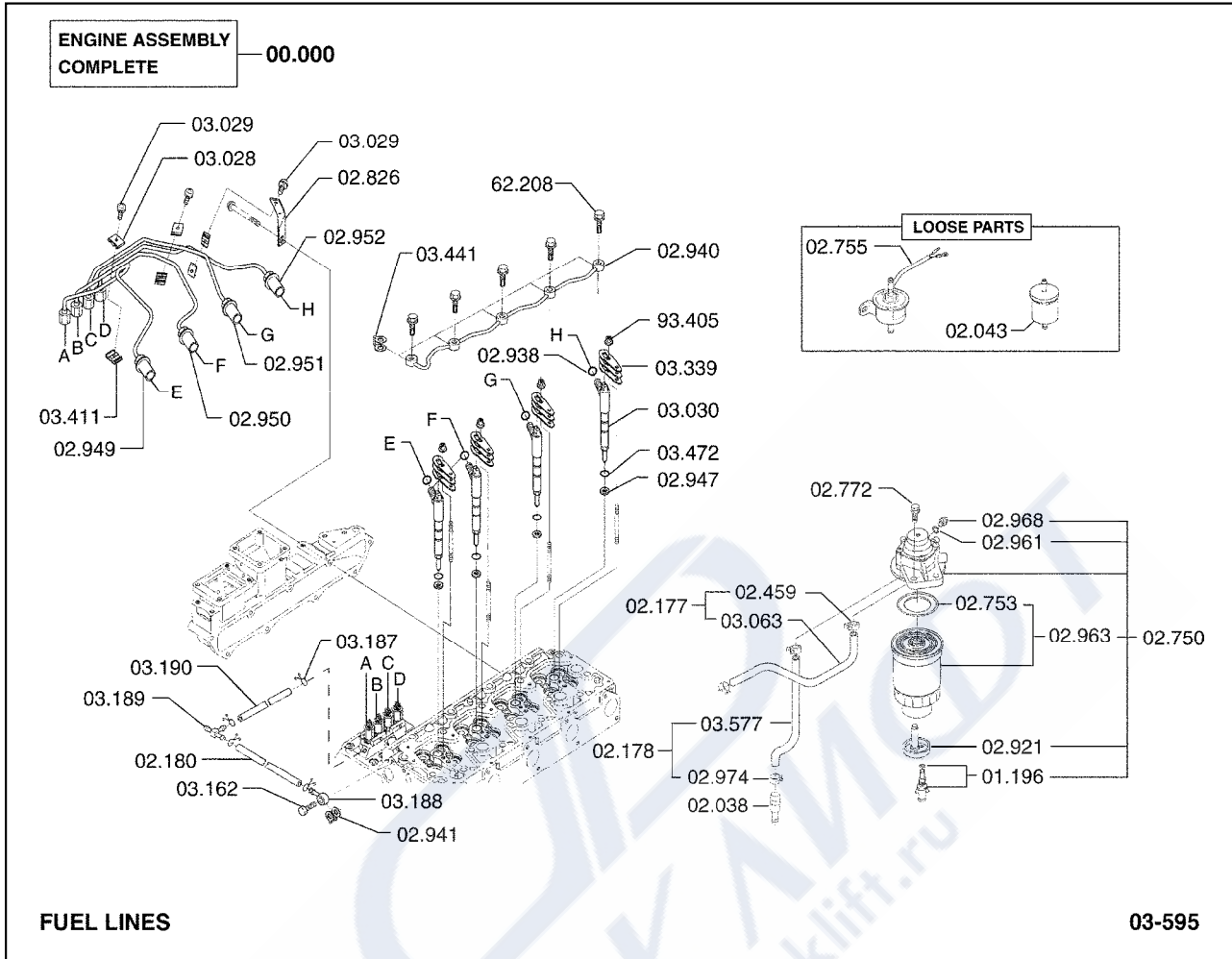




02.529	INSULATION, TAIL PIPE 절연체
02.569	FASTENER, EXHAUST PIPE FLANGE TO MANIFOLD 패스너
02.576	PIPE, EXHAUST 파이프
02.579	CLAMP, EXHAUST PIPE TO MUFFLER 클램프
02.581	EXTENSION, TAIL PIPE 익스텐션
02.582	MUFFLER 머플러
02.583	PIPE, TAIL 파이프
02.584	CLAMP, TAIL PIPE TO MUFFLER 클램프
02.591	FASTENER, MUFFLER MOUNTING 패스너

---

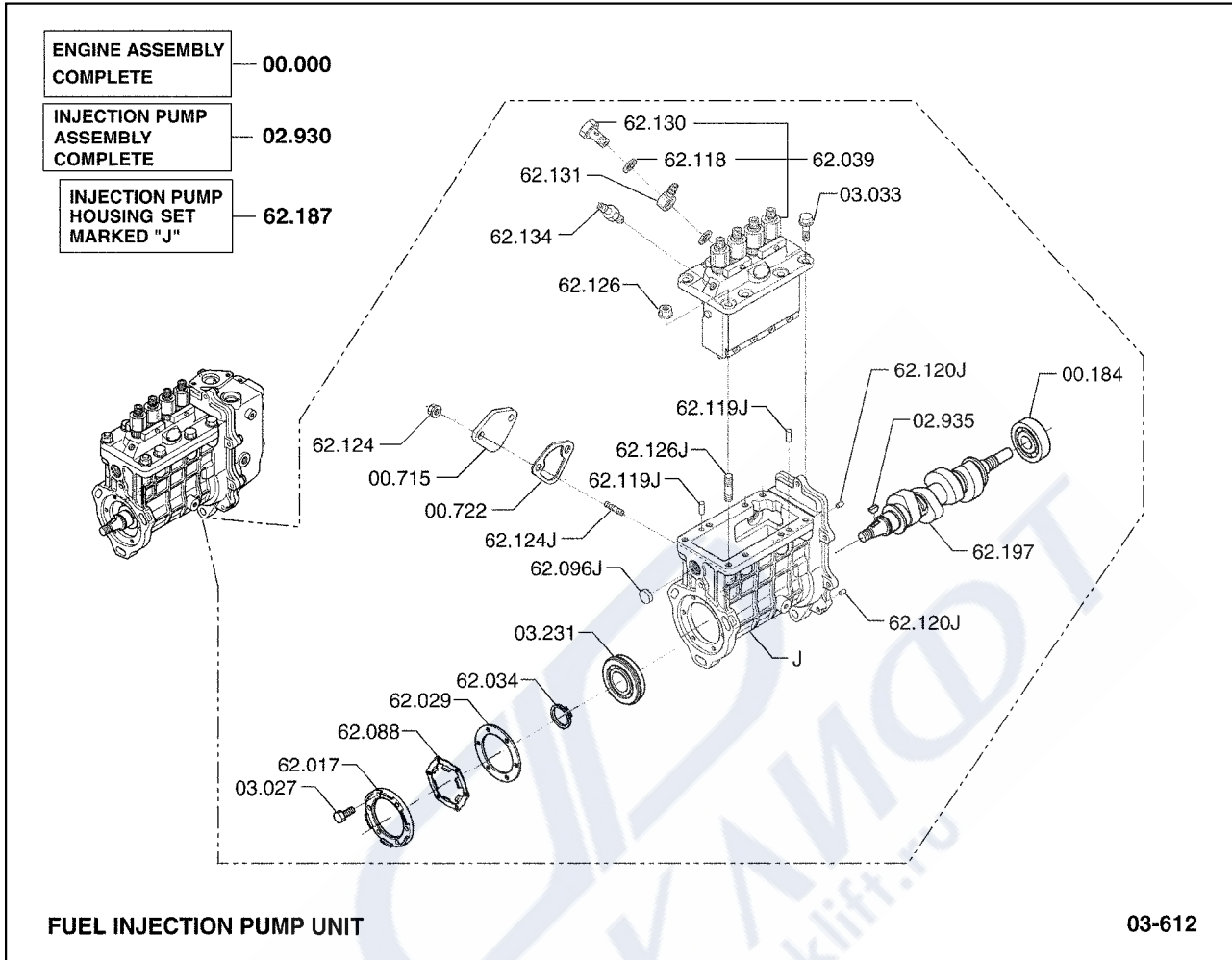
02.592	BRACKET, TAIL PIPE MOUNTING 브라켓
02.594	FASTENER, TAIL PIPE MOUNTING BRACKET 패스너
02.783	DAMPENER, MUFFLER MOUNTING VIBRATION 댐프너
02.806	BRACKET, TAIL PIPE MOUNTING 브라켓
03.359	PIPE, EXHAUST 파이프
03.593	BRACKET, EXHAUST PIPE 브라켓
39.064	COVER, COUNTERWEIGHT UPPER 커버
39.693	SHIELD, EXHAUST PIPE 실드
91.225	NUT, MUFFLER MTG BRACKET FASTENER 너트
91.910	WASHER, MUFFLER ATTACHING CLAMP FASTENER 와셔
95.903	FASTENER, EXHAUST PIPE BRACKET 패스너
96.300	FASTENER, COUNTERWEIGHT COVERING 패스너



00.000	PRODUCTION ENGINE ASSEMBLY 엔진	02.940	LINE, INJECTOR LEAK OFF 라인
01.196	DRAIN COCK, FUEL FILTER 드레인콕	02.941	SEAL, INJECTOR NOZZLE LEAK OFF FITTING 씰
02.038	FITTING, FUEL FILTER OUTLET 피팅	02.947	SEAL, INJECTOR NOZZLE 씰
02.043	FILTER, FUEL 필터	02.949	LINE, INJECTOR (NO 1 CYLINDER) 라인
02.177	LINE, FILTER INLET 라인	02.950	LINE, INJECTOR (NO 2 CYLINDER) 라인
02.178	LINE, FILTER OUTLET 라인	02.951	LINE, INJECTOR (NO 3 CYLINDER) 라인
02.180	LINE, FUEL RETURN 라인	02.952	LINE, INJECTOR (NO 4 CYLINDER) 라인
02.459	CLAMP, FUEL FILTER 클램프	02.961	SEAL, FUEL FILTER BODY PLUG 씰
02.750	FILTER ASSEMBLY, FUEL 필터	02.963	ELEMENT, FUEL FILTER 알리먼트
02.753	GASKET, FUEL FILTER BODY 가스켓	02.968	PLUG, FUEL FILTER DRAIN 플러그
02.755	PUMP, FUEL 펌프	02.974	CLAMP, FUEL PUMP OUTLET LINE 클램프
02.772	FASTENER, FUEL FILTER COVER 패스너	03.028	CLIP, INJECTOR LINE 클립
02.826	BRACKET, FUEL LINE CLIP 브라켓	03.029	FASTENER, INJECTION LINE CLIP 패스너
02.921	PLUG, FUEL FILTER DRAIN 플러그	03.030	INJECTOR ASSEMBLY, FUEL 인젝터
02.938	SEAL, INJECTOR LEAK OFF LINE 씰	03.063	LINE, FINAL FUEL FILTER INLET 라인

---

03.162	FASTENER, FUEL RETURN LINE CLIP 패스너
03.187	CLIP, FUEL LINE 클립
03.188	FITTING, FUEL RETURN LINE 피팅
03.189	FITTING, FUEL RETURN LINE 피팅
03.190	LINE, FUEL RETURN 라인
03.339	CLIP, FUEL INJECTOR LINE 클립
03.411	CLIP, INJECTOR LINE 클립
03.441	SEAL, INJECTOR LEAK-OFF LINE 씰
03.472	SEAL, INJECTOR LEAK OFF LINE 씰
03.577	LINE, ENGINE FUEL FILTER 라인
62.208	FASTENER, FUEL INJECTOR LINE 패스너
93.405	NUT, FUEL INJECTOR FASTENER 너트



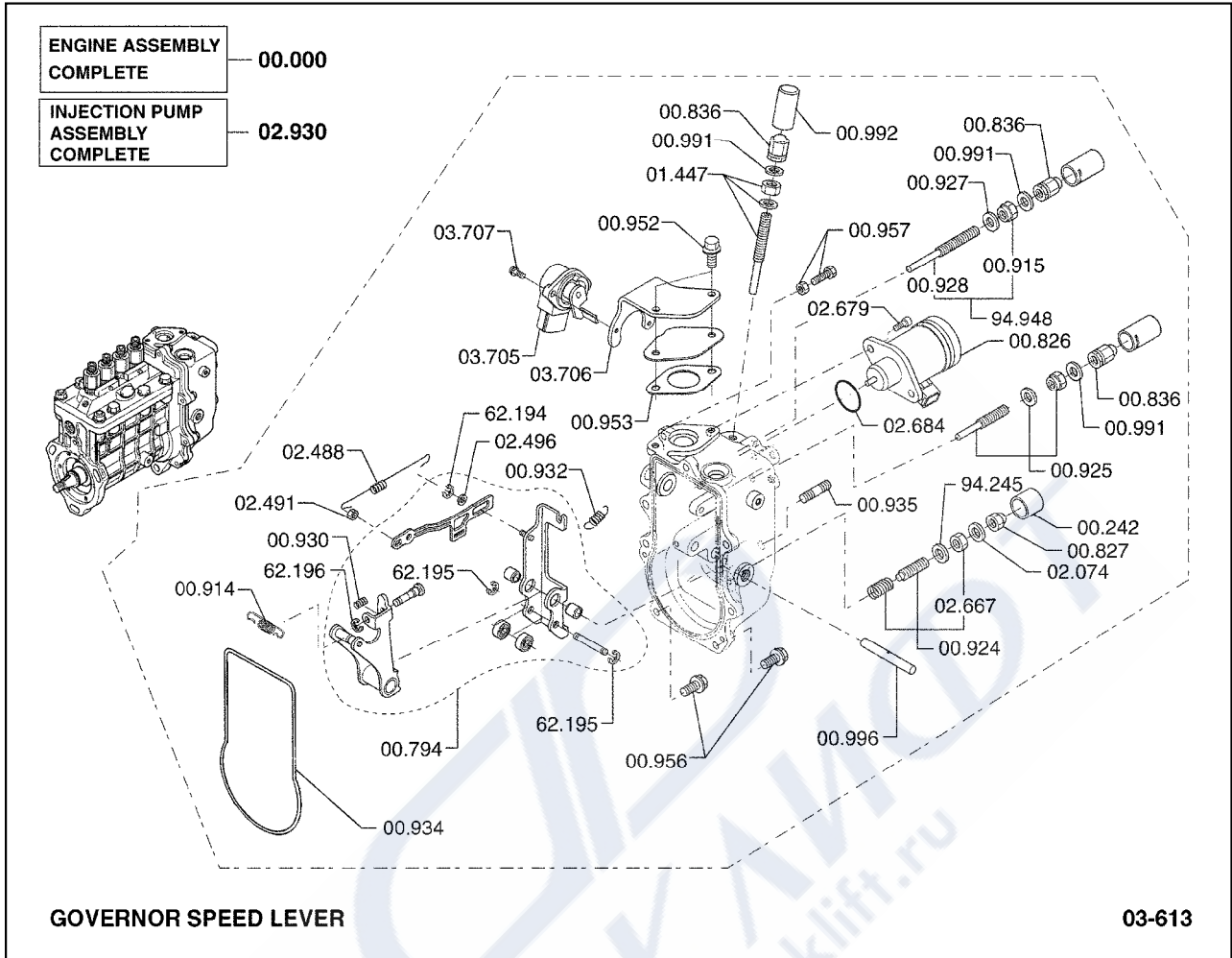
FUEL INJECTION PUMP UNIT

03-612

00.000	PRODUCTION ENGINE ASSEMBLY 엔진
00.184	BEARING, FUEL INJECTION PUMP DRIVE SHAFT 베어링
00.715	COVER, VALVE TAPPET 커버
00.722	GASKET, VALVE TAPPET COVER 가스켓
02.930	PUMP ASSEMBLY, FUEL INJECTION 펌프
02.935	KEY, FUEL INJECTION PUMP SHAFT 키
03.027	FASTENER, FUEL INJECTION PUMP 패스너
03.033	FASTENER, FUEL INJECTOR 패스너
03.231	BEARING, FUEL INJ PUMP DRIVE HUB 베어링

---

62.017	STOPPER, FUEL INJECTION PUMP 스토퍼
62.029	SPACER, FUEL INJECTION PUMP DRIVE SHAFT 스페이서
62.034	CIRCLIP, FUEL INJECTION PUMP 서클립
62.039	PUMP, FUEL INJECTION FEED 펌프
62.088	STOPPER, FUEL INJECTION PUMP 스토퍼
62.096	PLUG, FUEL INJECTION PUMP BODY 플러그
62.118	SEAL, FUEL INJECTION PUMP JOINT 씰
62.119	PIN, FUEL INJECTION PUMP 핀
62.120	SPRING PIN, FUEL INJECTION PUMP 스프링핀
62.124	FASTENER, FUEL INJECTION PUMP LIFTER 패스너
62.126	FASTENER, FUEL INJECTION PUMP HEAD 패스너
62.130	JOINT, FUEL INJECTION PUMP 조인트
62.131	JOINT, FUEL INJECTION PUMP 조인트
62.134	JOINT, FUEL INJECTION PUMP HEAD 조인트
62.187	HOUSING, FUEL INJECTION PUMP 하우징
62.197	SHAFT, FUEL INJECTION PUMP 샤프트

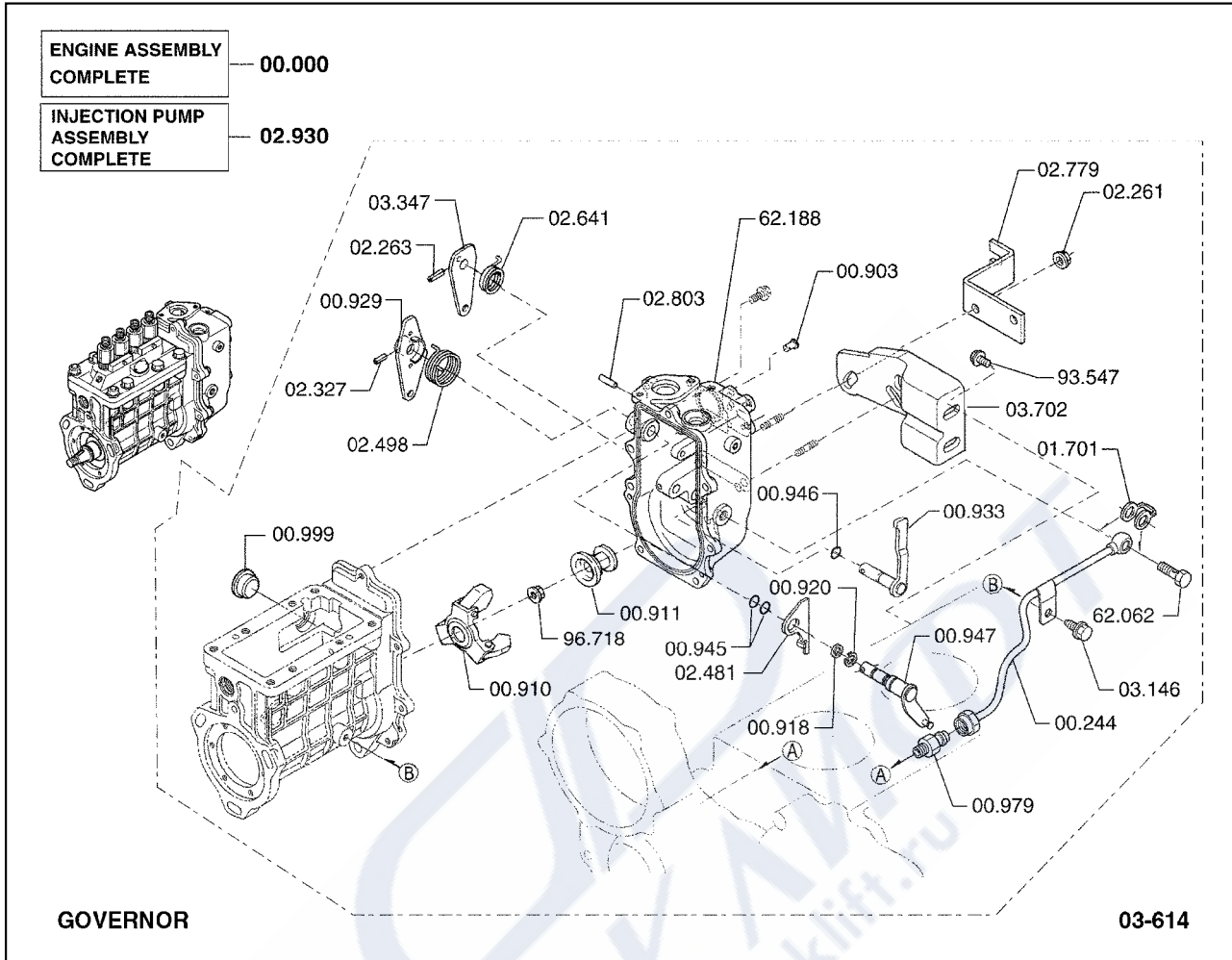


00.000	PRODUCTION ENGINE ASSEMBLY 엔진	00.935	FASTENER, GOVERNOR 패스너
00.242	CAP, ENGINE AIR GOVERNOR 캡	00.952	FASTENER, GOVERNOR THROTTLE 패스너
00.794	LEVER ASSY, GOVERNOR 레버	00.953	GASKET, GOVERNOR THROTTLE MOUNTING 가스켓
00.826	SOLENOID, GOVERNOR 솔레노이드	00.956	FASTENER, GOVERNOR 패스너
00.827	NUT, GOVERNOR BODY FASTENER 너트	00.957	FASTENER, GOVERNOR 패스너
00.836	NUT, GOVERNOR BODY FASTENER 너트	00.991	SEAL, ENGINE GOVERNOR (SPEED ADJUSTMENT) 씰
00.914	SPRING, GOVERNOR BUMPER 스프링	00.992	CAP, ENGINE GOVERNOR SEAL (SPEED ADJUSTMENT) 캡
00.915	NUT, GOVERNOR BUMPER SCREW 너트	00.996	SHAFT, GOVERNOR STABILIZER PISTON 샤프트
00.924	ADJUSTOR, GOVERNOR SPRING 어드저스터	01.447	FASTENER, ADJUSTING FLANGE 패스너
00.925	ADJUSTOR, GOVERNOR ADJUSTING LEVER 어드저스터	02.074	SEAL, PRESSURE ADJUSTING SCREW 씰
00.927	GASKET, GOVERNOR BODY TO FLANGE 가스켓	02.488	SPRING, GOVERNOR ROD RETURN 스프링
00.928	FASTENER, GOVERNOR ADJUSTING LEVER 패스너	02.491	NUT, GOVERNOR ARM ROD 너트
00.930	SPRING, GOVERNOR 스프링	02.496	WASHER, GOVERNOR ARM LINK 와셔
00.932	SPRING, GOVERNOR AUXILIARY 스프링	02.667	NUT, CARBURETOR TO GOVERNOR ROD 너트
00.934	GASKET, GOVERNOR ATTACHING 가스켓	02.679	FASTENER, SOLENOID 패스너

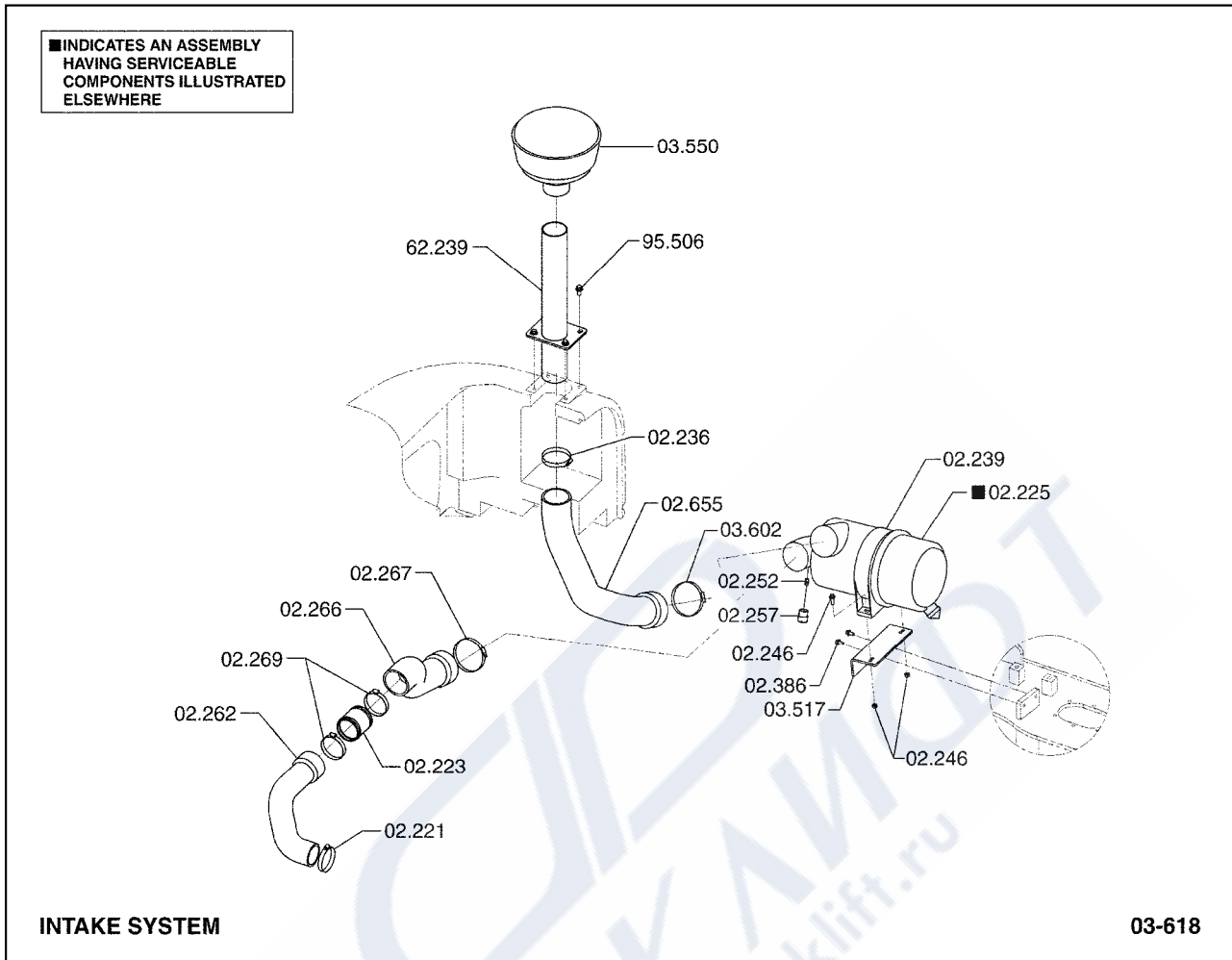
02.684	GASKET, SOLENOID 가스켓
02.930	PUMP ASSEMBLY, FUEL INJECTION 펌프
03.705	SENSOR, ACCELERATOR LINKAGE THROTTLE POSITION 센서
03.706	BRACKET, ACCELERATOR LINKAGE THROTTLE POSITION S 브라켓
03.707	FASTENER, ACCELERATOR LINKAGE THROTTLE POSITION 패스너
62.194	SNAP RING, ENGINE GOVERNOR INSIDE 스냅링
62.195	SNAP RING, ENGINE GOVERNOR INSIDE 스냅링
62.196	SNAP RING, ENGINE GOVERNOR INSIDE 스냅링
92.245	LOCKWASHER, PARKING BRAKE CABLE CLAMP FASTENER 로크와셔
94.948	FASTENER, ENGINE ADJUSTMENT OF INJECTION TIMER 패스너







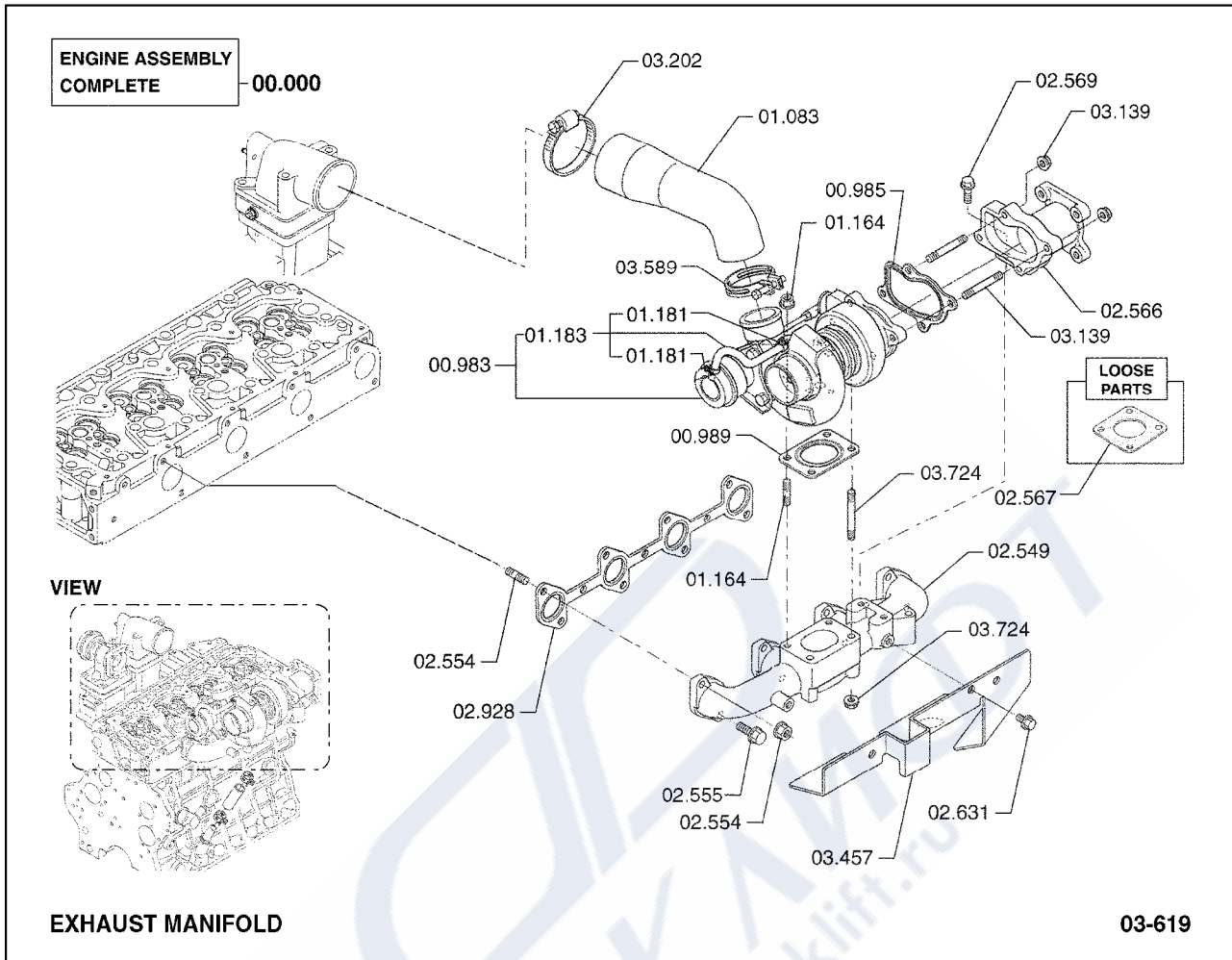
00.000	PRODUCTION ENGINE ASSEMBLY 엔진	02.261	FASTENER, ACCELERATOR LINKAGE MOUNTING BRACKET 패스너
00.244	LINE, ENGINE AIR GOVERNOR VENTILATION 라인	02.263	PIN, ACCELERATOR RETURN SPRING ATTACHING 핀
00.903	PIN, GOVERNOR WEIGHT 핀	02.327	PIN, ACCELERATOR LEVER PIVOT 핀
00.910	WEIGHT, GOVERNOR 웨이트	02.481	LEVER, GOVERNOR LINKAGE 레버
00.911	SLEEVE, GOVERNOR SHAFT THRUST 슬리브	02.498	SPRING, ACCELERATOR RETURN 스프링
00.918	WASHER, GOVERNOR ROCKET SHAFT BEARING 와셔	02.641	SPRING, ACCELERATOR RETURN 스프링
00.920	SNAP RING, GOVERNOR ROCKER SHAFT 스냅링	02.779	BRACKET, ACCELERATOR CABLE 브라켓
00.929	LEVER, GOVERNOR ADJUSTING 레버	02.803	PIN, ACCELERATOR RETURN SPRING ANCHOR 핀
00.933	LEVER, GOVERNOR AUXILIARY 레버	02.930	PUMP ASSEMBLY, FUEL INJECTION 펌프
00.945	SEAL, GOVERNOR ROCKER SHAFT 씰	03.146	FASTENER, FUEL LINE CLIP BRACKET 패스너
00.946	SEAL, GOVERNOR ROCKET SHAFT 씰	03.347	LEVER, ACCELERATOR LINKAGE RETURN 레버
00.947	LEVER & SHAFT, GOVERNOR 레버 & 샤프트	03.702	BRACKET, FUEL PUMP MOUNTING 브라켓
00.979	FITTING, GOVERNOR LUBRICATION LINE 피팅	62.062	FASTENER, INJECTION LINE CLIP 패스너
00.999	COVER, GOVERNOR ACCESS 커버	62.188	HOUSING, GOVERNOR 하우징
01.701	GASKET, OIL PUMP ATTACHING 가스켓	93.547	FASTENER, FUEL PUMP MOUNTING SPACER 패스너



- |        |   |
|--------|---|
| 02.221 | CLAMP, MAIN AIR CLEANER OUTLET HOSE<br>클램프            |
| 02.223 | HOSE, MAIN AIR CLEANER OUTLET<br>호스                   |
| 02.225 | CLEANER ASSEMBLY, ENGINE INTAKE AIR<br>에어클리너          |
| 02.236 | CLAMP, MAIN AIR CLEANER INLET HOSE<br>클램프             |
| 02.239 | BAND, ENGINE INTAKE AIR CLEANER<br>밴드                 |
| 02.246 | FASTENER, ENGINE INTAKE AIR CLEANER ATTACHING<br>패스너  |
| 02.252 | FITTING, MAIN AIR CLEANER OUTLET TUBE<br>피팅           |
| 02.257 | INDICATOR, ENGINE INTAKE AIR CLEANER AIR RES<br>인디케이터 |
| 02.262 | HOSE, MAIN AIR CLEANER OUTLET<br>호스                   |

---

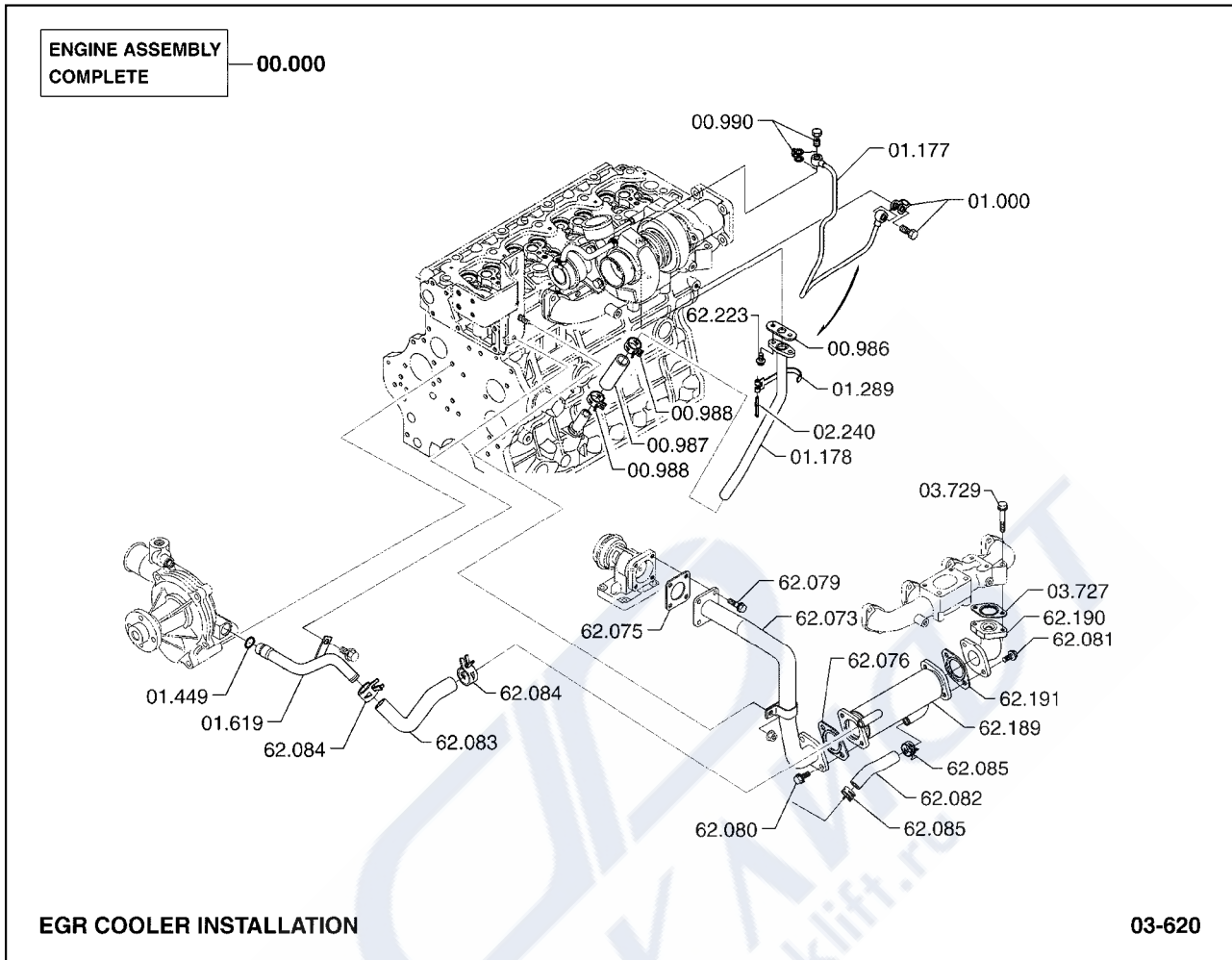
02.266	HOSE, MAIN AIR CLEANER OUTLET 호스
02.267	CLAMP, MAIN AIR CLEANER OUTLET HOSE 클램프
02.269	CLAMP, MAIN AIR CLEANER OUTLET HOSE 클램프
02.386	FASTENER, ENGINE INTAKE AIR CLEANER SUPPORT 패스너
02.655	LINE, ENGINE AIR PRE-CLEANER OUTLET 라인
03.517	BRACKET, AIR CLEANER MOUNTING 브라켓
03.550	PRE CLEANER ASSEMBLY, ENGINE AIR 프리클리너
03.602	CLAMP, AIR CLEANER TUBE 클램프
62.239	TUBE, PRE-AIR CLEANER LINE 튜브
95.506	FASTENER, PRE CLEANER MOUNTING BRACKET SUPPORT 패스너



00.000	PRODUCTION ENGINE ASSEMBLY 엔진
00.983	TURBOCHARGER ASSEMBLY 터보차저
00.985	GASKET, TURBOCHARGER 가스켓
00.989	GASKET, TURBOCHARGER PIPE TO MANIFOLD 가스켓
01.083	HOSE, TURBOCHARGER 호스
01.164	FASTENER, TURBOCHARGER MOUNTING 패스너
01.181	CLAMP, TURBOCHARGER LINE 클램프
01.183	HOSE, TURBOCHARGER 호스
02.549	MANIFOLD, EXHAUST 매니폴드

---

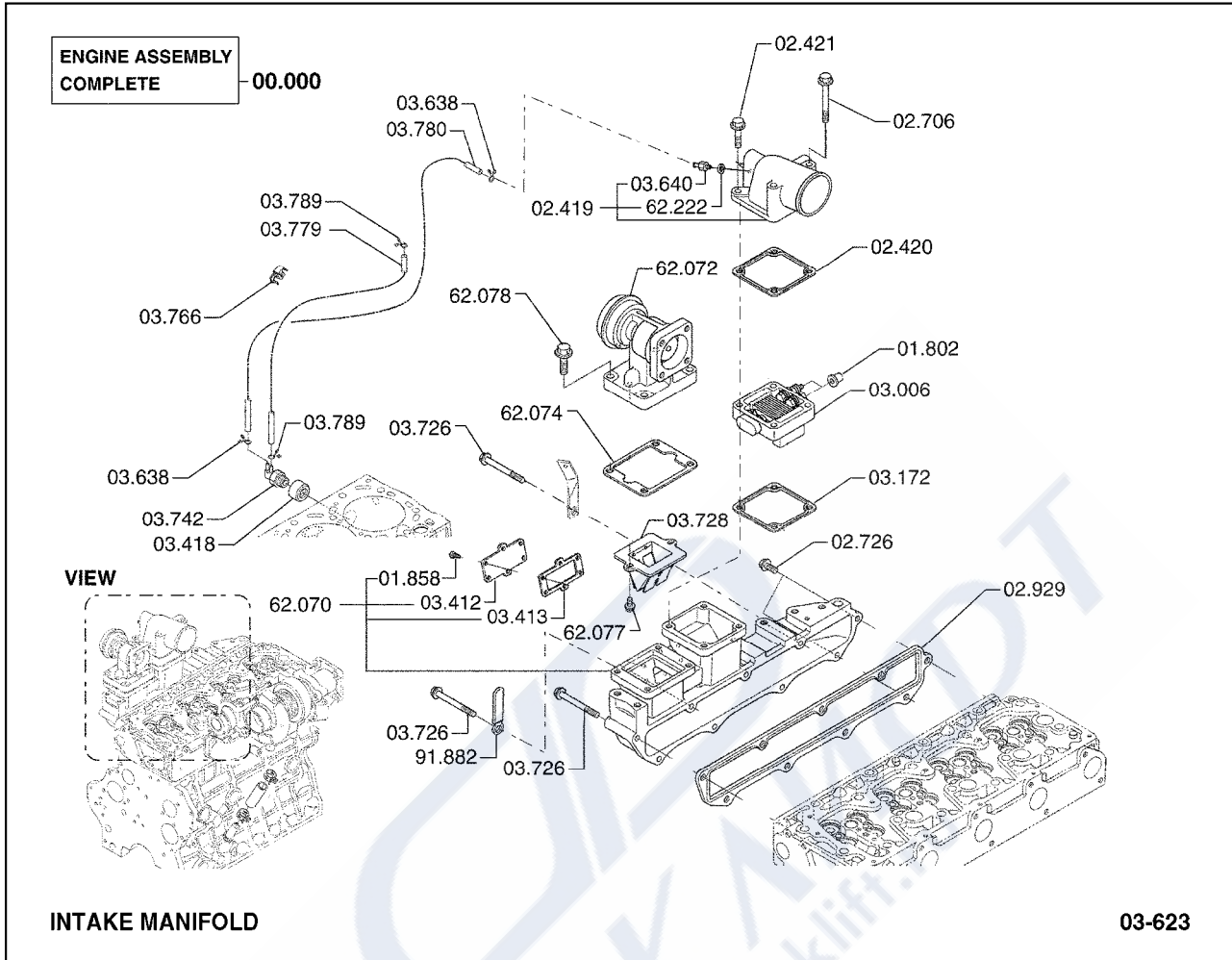
02.554	FASTENER, MANIFOLD TO CRANKCASE 패스너
02.555	FASTENER, MANIFOLD TO CRANKCASE 패스너
02.566	FLANGE, EXHAUST PIPE TO MANIFOLD 플랜지
02.567	GASKET, EXHAUST PIPE FLANGE TO MANIFOLD 가스켓
02.569	FASTENER, EXHAUST PIPE FLANGE TO MANIFOLD 패스너
02.631	FASTENER, HEAT SHIELD 패스너
02.928	GASKET, EXHAUST MANIFOLD 가스켓
03.139	FASTENER, EXHAUST PIPE FLANGE TO MANIFOLD 패스너
03.202	CLAMP, ENGINE AIR INTAKE ADAPTOR 클램프
03.457	SHIELD, MANIFOLD HEAT 실드
03.589	CLAMP, ADAPTOR AIR INTAKE HOSE 클램프
03.724	FASTENER, EXHAUST MANIFOLD 패스너



00.000	PRODUCTION ENGINE ASSEMBLY 엔진
00.986	GASKET, TURBOCHARGER 가스켓
00.987	HOSE, TURBOCHARGER 호스
00.988	CLAMP, TURBOCHARGER LINE 클램프
00.990	FASTENER, TURBOCHARGER PIPE MOUNTING 패스너
01.000	FASTENER, TURBOCHARGER PIPE MOUNTING 패스너
01.177	PIPE, TURBOCHARGER OIL FEED 파이프
01.178	PIPE, TURBOCHARGER OIL DRAIN 파이프
01.289	BAND, ENGINE OIL FILTER MOUNTING 밴드

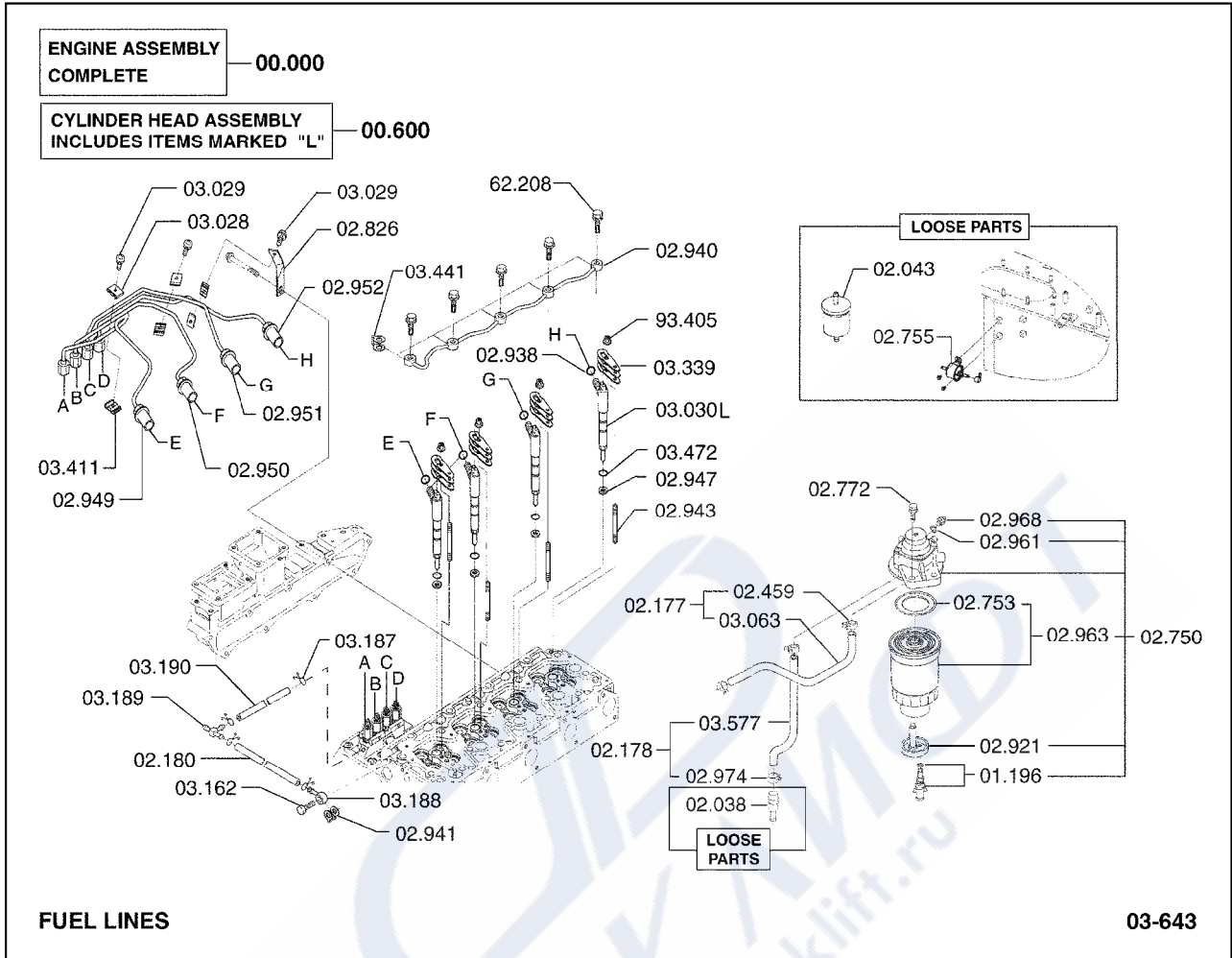
---

01.449	SEAL, ENGINE WATER PUMP 씰
01.619	LINE, WATER PUMP BLEEDER 라인
02.240	FASTENER, BAND CLAMPING 패스너
03.727	GASKET, EGR VALVE 가스켓
03.729	FASTENER, EGR VALVE 패스너
62.073	PIPE, EGR VALVE 파이프
62.075	GASKET, EGR VALVE INLET 가스켓
62.076	GASKET, EGR PIPE 가스켓
62.079	FASTENER, EGR VALVE TO PIPE 패스너
62.080	FASTENER, EGR PIPE TO MANIFOLD 패스너
62.081	FASTENER, EGR PIPE TO MANIFOLD 패스너
62.082	PIPE, EGR VALVE TO WATER PUMP 파이프
62.083	PIPE, EGR VALVE TO WATER PUMP 파이프
62.084	CLAMP, EGR VALVE TO WATER PUMP 클램프
62.085	CLAMP, EGR VALVE TO WATER PUMP 클램프
62.189	COOLER, EXHAUST GAS RECIRCULATION(EGR) 쿨러
62.190	PIPE, EGR COOLER 파이프
62.191	GASKET, EGR COOLER PIPE 가스켓
62.223	FASTENER, TURBOCHARGER OIL DRAIN PIPE 패스너



00.000	PRODUCTION ENGINE ASSEMBLY 엔진	03.640	FITTING, VACUUM LINE INTAKE MANIFOLD 피팅
01.802	CAP, HEAT EXCHANGER 캡	03.726	FASTENER, INTAKE MANIFOLD 패스너
01.858	FASTENER, INTAKE MANIFOLD 패스너	03.728	VALVE, EGR 밸브
02.419	ADAPTOR, ENGINE AIR INTAKE 어댑터	03.742	VALVE, VACUUM SOLENOID 밸브
02.420	GASKET, ENGINE AIR INTAKE ADAPTOR 가스켓	03.766	CLIP, VACUUM HOSE RETAINER 클립
02.421	FASTENER, ENGINE AIR INTAKE ADAPTOR 패스너	03.779	HOSE, VACUUM-SHORT 호스
02.706	FASTENER, AIR INTAKE ADAPTOR 패스너	03.780	HOSE, VACUUM-LONG 호스
02.726	FASTENER, MANIFOLD 패스너	03.789	CLAMP, VACUUM LINE 클램프
02.929	GASKET, INTAKE MANIFOLD 가스켓	62.070	MANIFOLD SET, INTAKE 매니폴드
03.006	HEATER, COLD START 히터	62.072	VALVE, EXHAUST GAS RECIRCULATION(EGR) 밸브
03.172	GASKET, COLD START RESERVOIR COVER 가스켓	62.074	GASKET, EGR VALVE OUTLET 가스켓
03.412	PLATE, INTAKE MANIFOLD BACKING 플레이트	62.077	FASTENER, EGR VALVE MOUNTING 패스너
03.413	GASKET, INTAKE MANIFOLD BACKING PLATE 가스켓	62.078	FASTENER, EGR VALVE MOUNTING 패스너
03.418	FITTING, INTAKE MANIFOLD VACUUM PORT 피팅	62.222	GASKET, INTAKE MANIFOLD FITTING 가스켓
03.638	CLAMP, VACUUM LINE 클램프	91.882	CLAMP, INTAKE MANIFOLD FASTENER 클램프





00.000 PRODUCTION ENGINE ASSEMBLY  
엔진

00.600 HEAD ASSEMBLY, CRANKCASE  
헤드

01.196 DRAIN COCK, FUEL FILTER  
드레인콕

02.038 FITTING, FUEL FILTER OUTLET  
피팅

02.043 FILTER, FUEL  
필터

02.177 LINE, FILTER INLET  
라인

02.178 LINE, FILTER OUTLET  
라인

02.180 LINE, FUEL RETURN  
라인

02.459 CLAMP, FUEL FILTER  
클램프

02.750 FILTER ASSEMBLY, FUEL  
필터

02.753 GASKET, FUEL FILTER BODY  
가스켓

02.755 PUMP, FUEL  
펌프

02.772 FASTENER, FUEL FILTER COVER  
패스너

02.826 BRACKET, FUEL LINE CLIP  
브라켓

02.921 PLUG, FUEL FILTER DRAIN  
플러그

02.938 SEAL, INJECTOR LEAK OFF LINE  
씰

02.940 LINE, INJECTOR LEAK OFF  
라인

02.941 SEAL, INJECTOR NOZZLE LEAK OFF FITTING  
씰

02.943 FASTENER, INJECTOR NOZZLE  
패스너

02.947 SEAL, INJECTOR NOZZLE  
씰

02.949 LINE, INJECTOR (NO 1 CYLINDER)  
라인

02.950 LINE, INJECTOR (NO 2 CYLINDER)  
라인

02.951 LINE, INJECTOR (NO 3 CYLINDER)  
라인

02.952 LINE, INJECTOR (NO 4 CYLINDER)  
라인

02.961 SEAL, FUEL FILTER BODY PLUG  
씰

02.963 ELEMENT, FUEL FILTER  
엘리먼트

02.968 PLUG, FUEL FILTER DRAIN  
플러그

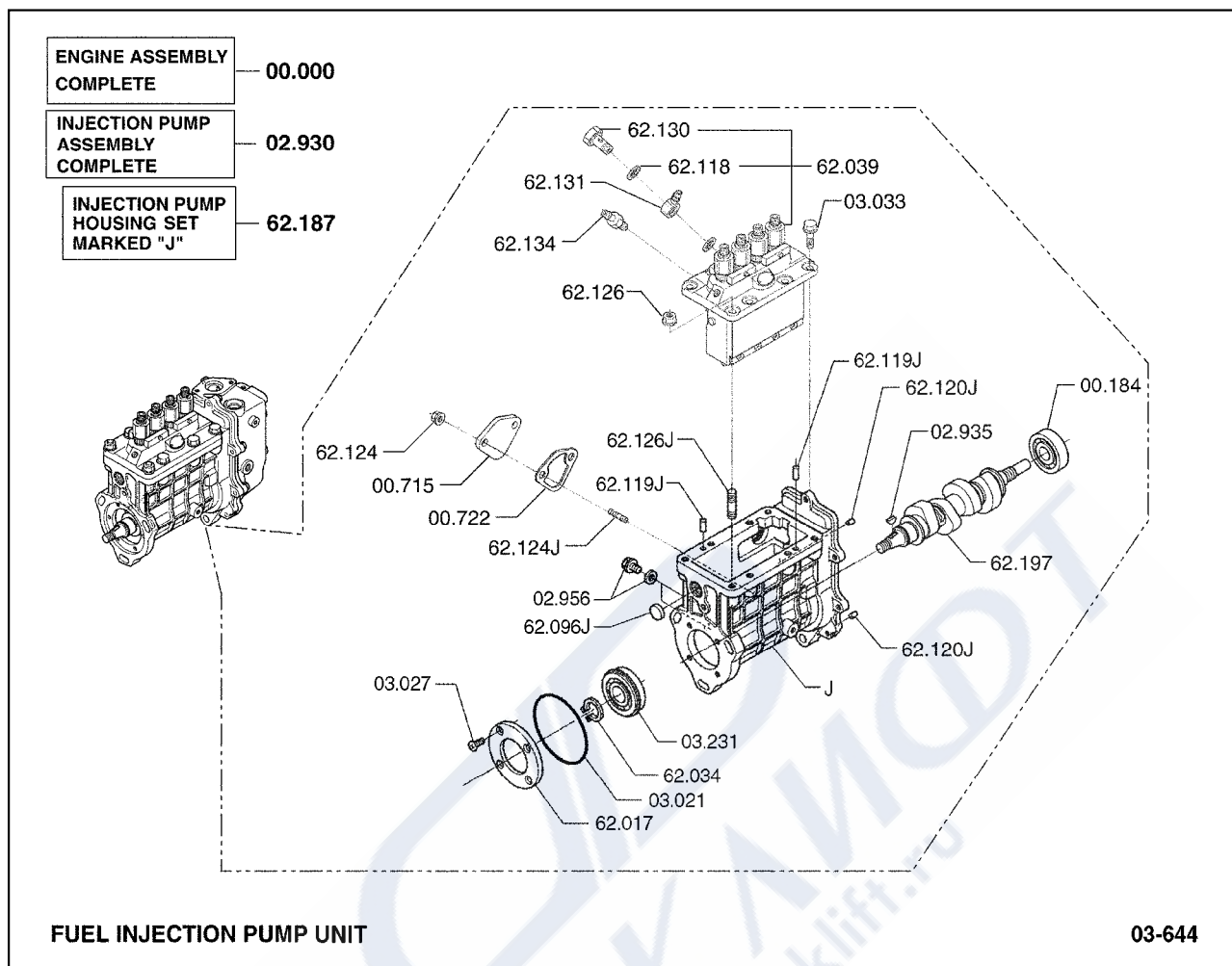
02.974 CLAMP, FUEL PUMP OUTLET LINE  
클램프

03.028 CLIP, INJECTOR LINE  
클립

03.029 FASTENER, INJECTION LINE CLIP  
패스너

---

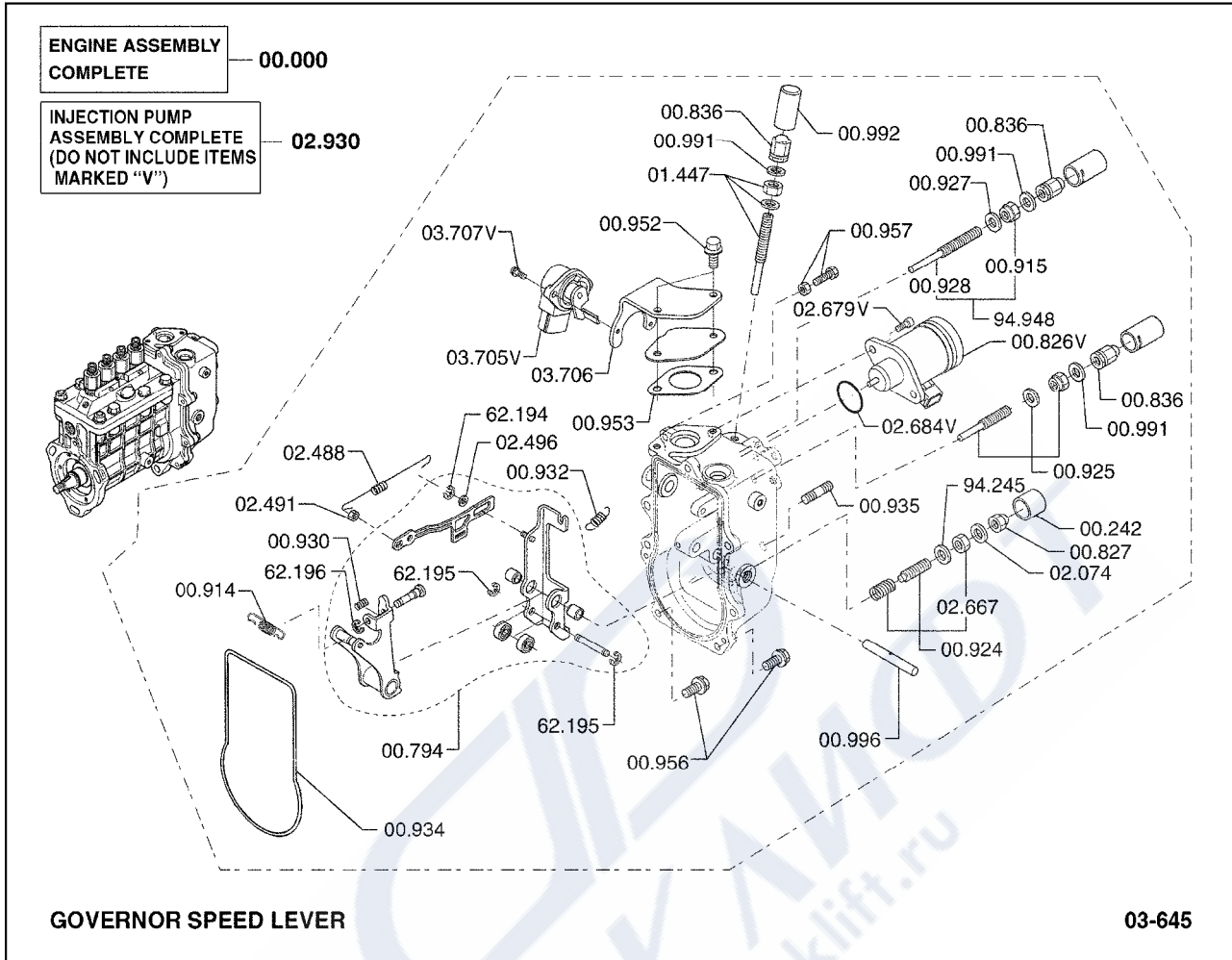
03.030	INJECTOR ASSEMBLY, FUEL 인젝터
03.063	LINE, FINAL FUEL FILTER INLET 라인
03.162	FASTENER, FUEL RETURN LINE CLIP 패스너
03.187	CLIP, FUEL LINE 클립
03.188	FITTING, FUEL RETURN LINE 피팅
03.189	FITTING, FUEL RETURN LINE 피팅
03.190	LINE, FUEL RETURN 라인
03.339	CLIP, FUEL INJECTOR LINE 클립
03.411	CLIP, INJECTOR LINE 클립
03.441	SEAL, INJECTOR LEAK-OFF LINE 씰
03.472	SEAL, INJECTOR LEAK OFF LINE 씰
03.577	LINE, ENGINE FUEL FILTER 라인
62.208	FASTENER, FUEL INJECTOR LINE 패스너
93.405	NUT, FUEL INJECTOR FASTENER 너트



- |        |   |
|--------|---|
| 00.000 | PRODUCTION ENGINE ASSEMBLY<br>엔진                |
| 00.184 | BEARING, FUEL INJECTION PUMP DRIVE SHAFT<br>베어링 |
| 00.715 | COVER, VALVE TAPPET<br>커버                       |
| 00.722 | GASKET, VALVE TAPPET COVER<br>가스켓               |
| 02.930 | PUMP ASSEMBLY, FUEL INJECTION<br>펌프             |
| 02.935 | KEY, FUEL INJECTION PUMP SHAFT<br>키             |
| 02.956 | FASTENER, FUEL INJECTION PUMP<br>패스너            |
| 03.021 | GASKET, FUEL INJECTION PUMP MOUNTING<br>가스켓     |
| 03.027 | FASTENER, FUEL INJECTION PUMP<br>패스너            |

---

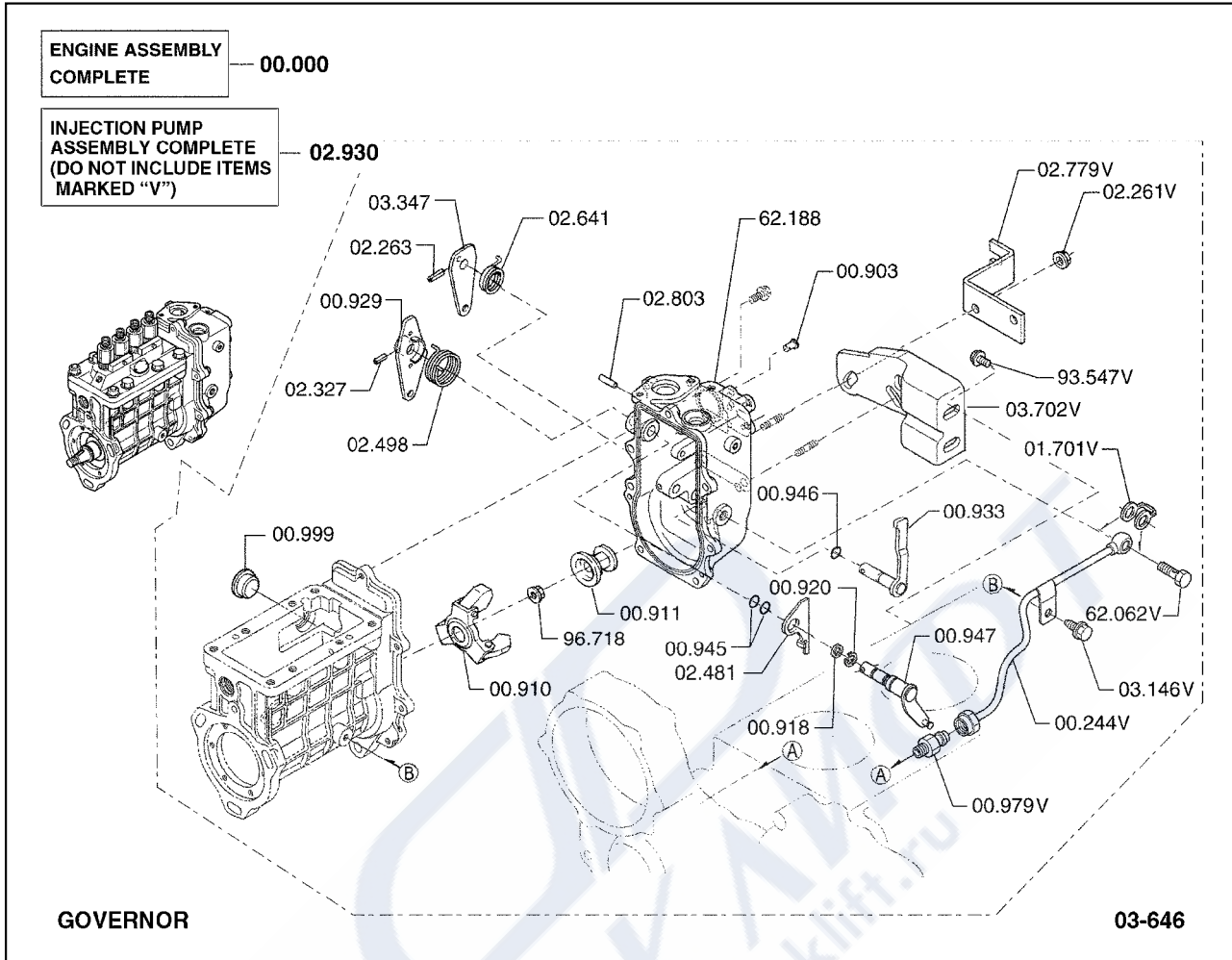
03.033	FASTENER, FUEL INJECTOR 패스너
03.231	BEARING, FUEL INJ PUMP DRIVE HUB 베어링
62.017	STOPPER, FUEL INJECTION PUMP 스토퍼
62.034	CIRCLIP, FUEL INJECTION PUMP 서클립
62.039	PUMP, FUEL INJECTION FEED 펌프
62.096	PLUG, FUEL INJECTION PUMP BODY 플러그
62.118	SEAL, FUEL INJECTION PUMP JOINT 씰
62.119	PIN, FUEL INJECTION PUMP 핀
62.120	SPRING PIN, FUEL INJECTION PUMP 스프링핀
62.124	FASTENER, FUEL INJECTION PUMP LIFTER 패스너
62.126	FASTENER, FUEL INJECTION PUMP HEAD 패스너
62.130	JOINT, FUEL INJECTION PUMP 조인트
62.131	JOINT, FUEL INJECTION PUMP 조인트
62.134	JOINT, FUEL INJECTION PUMP HEAD 조인트
62.187	HOUSING, FUEL INJECTION PUMP 하우징
62.197	SHAFT, FUEL INJECTION PUMP 샤프트



00.000	PRODUCTION ENGINE ASSEMBLY 엔진	00.935	FASTENER, GOVERNOR 패스너
00.242	CAP, ENGINE AIR GOVERNOR 캡	00.952	FASTENER, GOVERNOR THROTTLE 패스너
00.794	LEVER ASSY, GOVERNOR 레버	00.953	GASKET, GOVERNOR THROTTLE MOUNTING 가스켓
00.826	SOLENOID, GOVERNOR 솔레노이드	00.956	FASTENER, GOVERNOR 패스너
00.827	NUT, GOVERNOR BODY FASTENER 너트	00.957	FASTENER, GOVERNOR 패스너
00.836	NUT, GOVERNOR BODY FASTENER 너트	00.991	SEAL, ENGINE GOVERNOR (SPEED ADJUSTMENT) 씰
00.914	SPRING, GOVERNOR BUMPER 스프링	00.992	CAP, ENGINE GOVERNOR SEAL (SPEED ADJUSTMENT) 캡
00.915	NUT, GOVERNOR BUMPER SCREW 너트	00.996	SHAFT, GOVERNOR STABILIZER PISTON 샤프트
00.924	ADJUSTOR, GOVERNOR SPRING 어드저스터	01.447	FASTENER, ADJUSTING FLANGE 패스너
00.925	ADJUSTOR, GOVERNOR ADJUSTING LEVER 어드저스터	02.074	SEAL, PRESSURE ADJUSTING SCREW 씰
00.927	GASKET, GOVERNOR BODY TO FLANGE 가스켓	02.488	SPRING, GOVERNOR ROD RETURN 스프링
00.928	FASTENER, GOVERNOR ADJUSTING LEVER 패스너	02.491	NUT, GOVERNOR ARM ROD 너트
00.930	SPRING, GOVERNOR 스프링	02.496	WASHER, GOVERNOR ARM LINK 와셔
00.932	SPRING, GOVERNOR AUXILIARY 스프링	02.667	NUT, CARBURETOR TO GOVERNOR ROD 너트
00.934	GASKET, GOVERNOR ATTACHING 가스켓	02.679	FASTENER, SOLENOID 패스너

---

02.684	GASKET, SOLENOID 가스켓
02.930	PUMP ASSEMBLY, FUEL INJECTION 펌프
03.705	SENSOR, ACCELERATOR LINKAGE THROTTLE POSITION 센서
03.706	BRACKET, ACCELERATOR LINKAGE THROTTLE POSITION S 브라켓
03.707	FASTENER, ACCELERATOR LINKAGE THROTTLE POSITION 패스너
62.194	SNAP RING, ENGINE GOVERNOR INSIDE 스냅링
62.195	SNAP RING, ENGINE GOVERNOR INSIDE 스냅링
62.196	SNAP RING, ENGINE GOVERNOR INSIDE 스냅링
94.245	WASHER, GOVERNOR SPRING ADJUSTOR washer
94.948	FASTENER, ENGINE ADJUSTMENT OF INJECTION TIMER 패스너



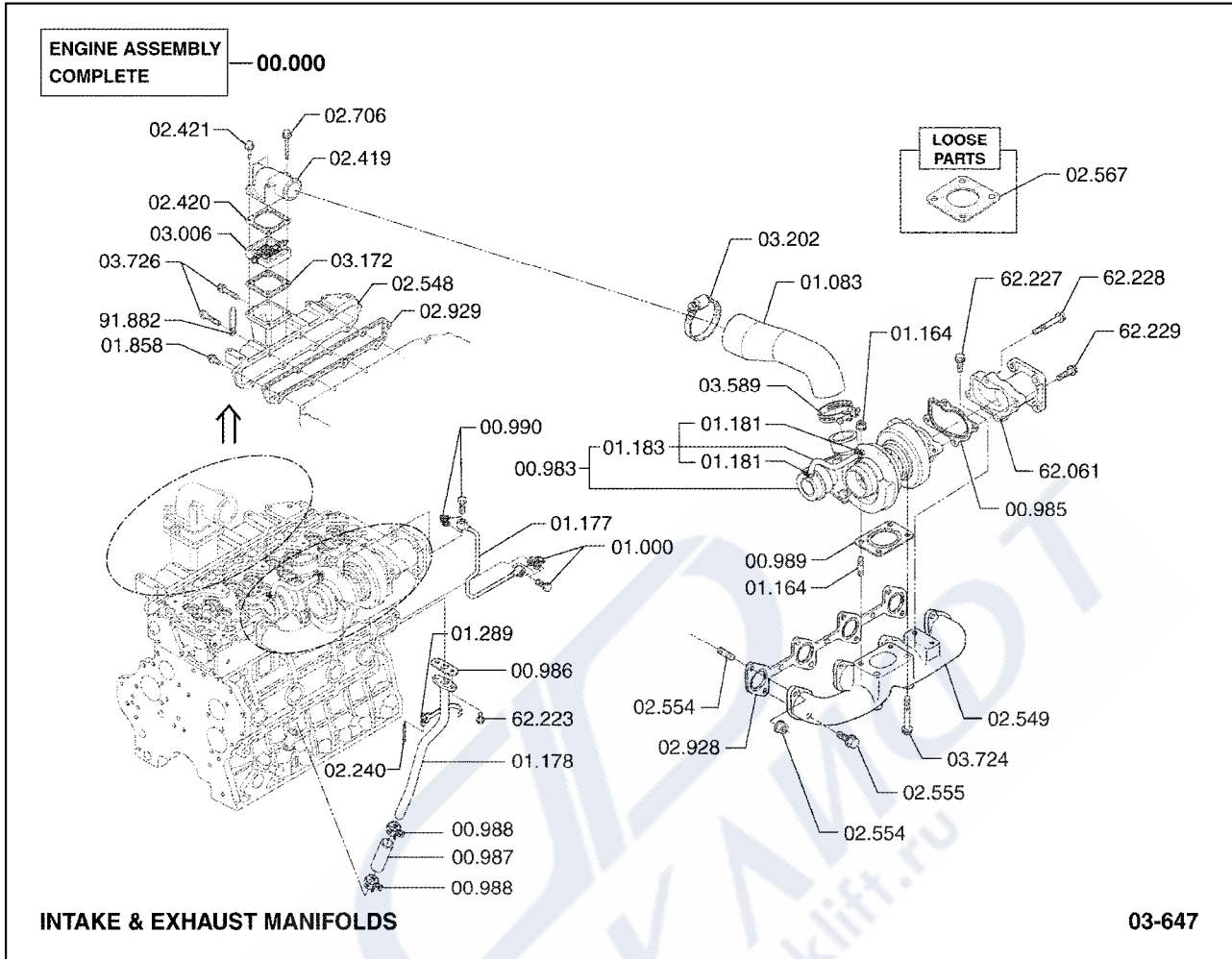
00.000	PRODUCTION ENGINE ASSEMBLY 엔진	02.261	FASTENER, ACCELERATOR LINKAGE MOUNTING BRACKET 패스너
00.244	LINE, ENGINE AIR GOVERNOR VENTILATION 라인	02.263	PIN, ACCELERATOR RETURN SPRING ATTACHING 핀
00.903	PIN, GOVERNOR WEIGHT 핀	02.327	PIN, ACCELERATOR LEVER PIVOT 핀
00.910	WEIGHT, GOVERNOR 웨이트	02.481	LEVER, GOVERNOR LINKAGE 레버
00.911	SLEEVE, GOVERNOR SHAFT THRUST 슬리브	02.498	SPRING, ACCELERATOR RETURN 스프링
00.918	WASHER, GOVERNOR ROCKET SHAFT BEARING 와셔	02.641	SPRING, ACCELERATOR RETURN 스프링
00.920	SNAP RING, GOVERNOR ROCKER SHAFT 스냅링	02.779	BRACKET, ACCELERATOR CABLE 브라켓
00.929	LEVER, GOVERNOR ADJUSTING 레버	02.803	PIN, ACCELERATOR RETURN SPRING ANCHOR 핀
00.933	LEVER, GOVERNOR AUXILIARY 레버	02.930	PUMP ASSEMBLY, FUEL INJECTION 펌프
00.945	SEAL, GOVERNOR ROCKER SHAFT 씰	03.146	FASTENER, FUEL LINE CLIP BRACKET 패스너
00.946	SEAL, GOVERNOR ROCKET SHAFT 씰	03.347	LEVER, ACCELERATOR LINKAGE RETURN 레버
00.947	LEVER & SHAFT, GOVERNOR 레버 & 샤프트	03.702	BRACKET, FUEL PUMP MOUNTING 브라켓
00.979	FITTING, GOVERNOR LUBRICATION LINE 피팅	62.062	FASTENER, INJECTION LINE CLIP 패스너
00.999	COVER, GOVERNOR ACCESS 커버	62.188	HOUSING, GOVERNOR 하우징
01.701	GASKET, OIL PUMP ATTACHING 가스켓	93.547	FASTENER, FUEL PUMP MOUNTING SPACER 패스너

96.718 NUT, LEVER STOP ADJUSTOR  
너트

ФОРКЛИФТ  
www.forklift.ru

03-646 (2)



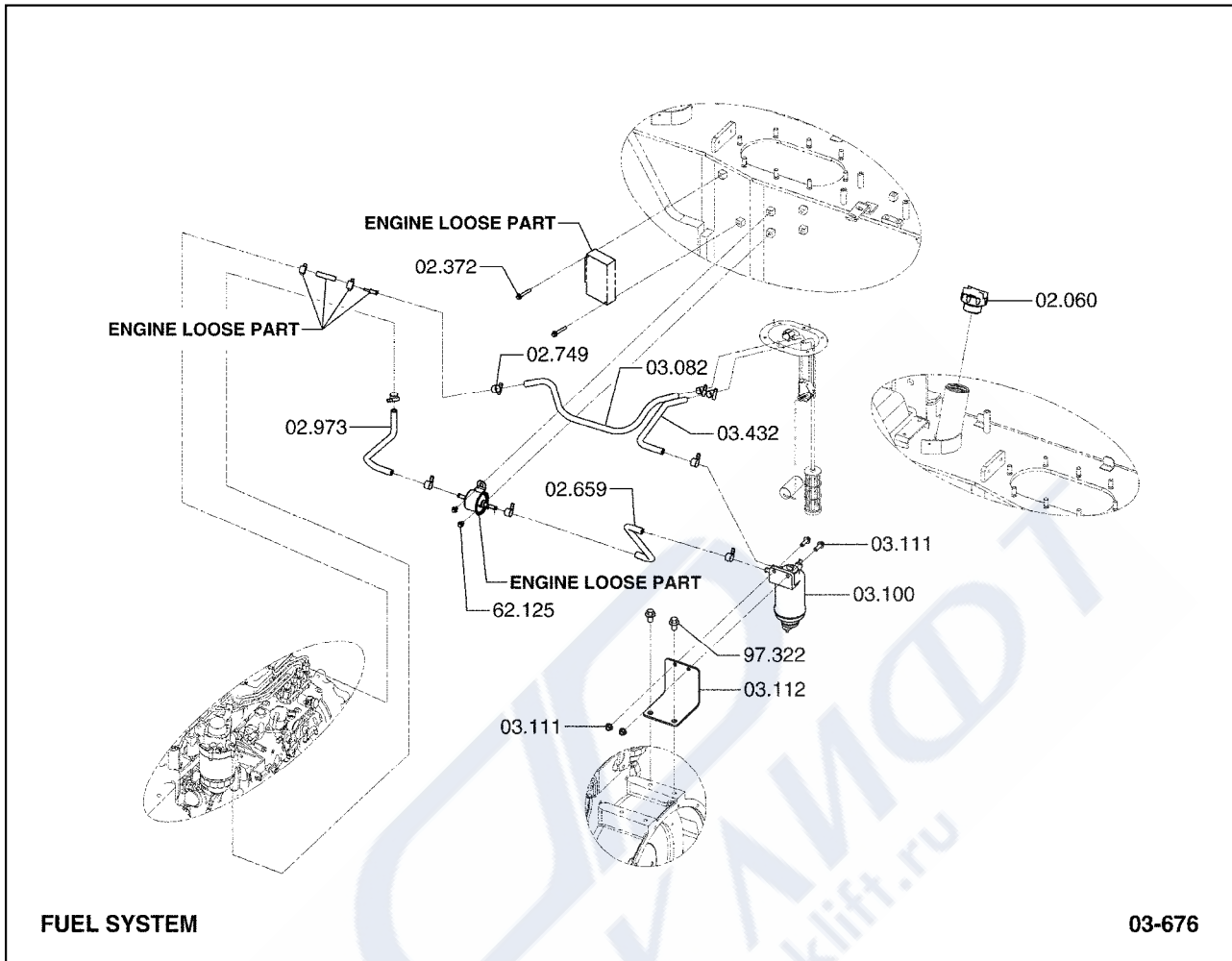


00.000	PRODUCTION ENGINE ASSEMBLY 엔진	01.289	BAND, ENGINE OIL FILTER MOUNTING 밴드
00.983	TURBOCHARGER ASSEMBLY 터보차저	01.858	FASTENER, INTAKE MANIFOLD 패스너
00.985	GASKET, TURBOCHARGER 가스켓	02.240	FASTENER, BAND CLAMPING 패스너
00.986	GASKET, TURBOCHARGER 가스켓	02.419	ADAPTOR, ENGINE AIR INTAKE 어댑터
00.987	HOSE, TURBOCHARGER 호스	02.420	GASKET, ENGINE AIR INTAKE ADAPTOR 가스켓
00.988	CLAMP, TURBOCHARGER LINE 클램프	02.421	FASTENER, ENGINE AIR INTAKE ADAPTOR 패스너
00.989	GASKET, TURBOCHARGER PIPE TO MANIFOLD 가스켓	02.548	MANIFOLD, INTAKE 매니폴드
00.990	FASTENER, TURBOCHARGER PIPE MOUNTING 패스너	02.549	MANIFOLD, EXHAUST 매니폴드
01.000	FASTENER, TURBOCHARGER PIPE MOUNTING 패스너	02.554	FASTENER, MANIFOLD TO CRANKCASE 패스너
01.083	HOSE, TURBOCHARGER 호스	02.555	FASTENER, MANIFOLD TO CRANKCASE 패스너
01.164	FASTENER, TURBOCHARGER MOUNTING 패스너	02.567	GASKET, EXHAUST PIPE FLANGE TO MANIFOLD 가스켓
01.177	PIPE, TURBOCHARGER OIL FEED 파이프	02.706	FASTENER, AIR INTAKE ADAPTOR 패스너
01.178	PIPE, TURBOCHARGER OIL DRAIN 파이프	02.928	GASKET, EXHAUST MANIFOLD 가스켓
01.181	CLAMP, TURBOCHARGER LINE 클램프	02.929	GASKET, INTAKE MANIFOLD 가스켓
01.183	HOSE, TURBOCHARGER 호스	03.006	HEATER, COLD START 히터

---

03.172	GASKET, COLD START RESERVOIR COVER 가스켓
03.202	CLAMP, ENGINE AIR INTAKE ADAPTOR 클램프
03.589	CLAMP, ADAPTOR AIR INTAKE HOSE 클램프
03.724	FASTENER, EXHAUST MANIFOLD 패스너
03.726	FASTENER, INTAKE MANIFOLD 패스너
62.061	FLANGE, TURBOCHARGER 플랜지
62.223	FASTENER, TURBOCHARGER OIL DRAIN PIPE 패스너
62.227	FASTENER, TURBOCHARGER FLANGE 패스너
62.228	FASTENER, TURBOCHARGER FLANGE 패스너
62.229	FASTENER, TURBOCHARGER FLANGE 패스너
91.882	CLAMP, INTAKE MANIFOLD FASTENER 클램프

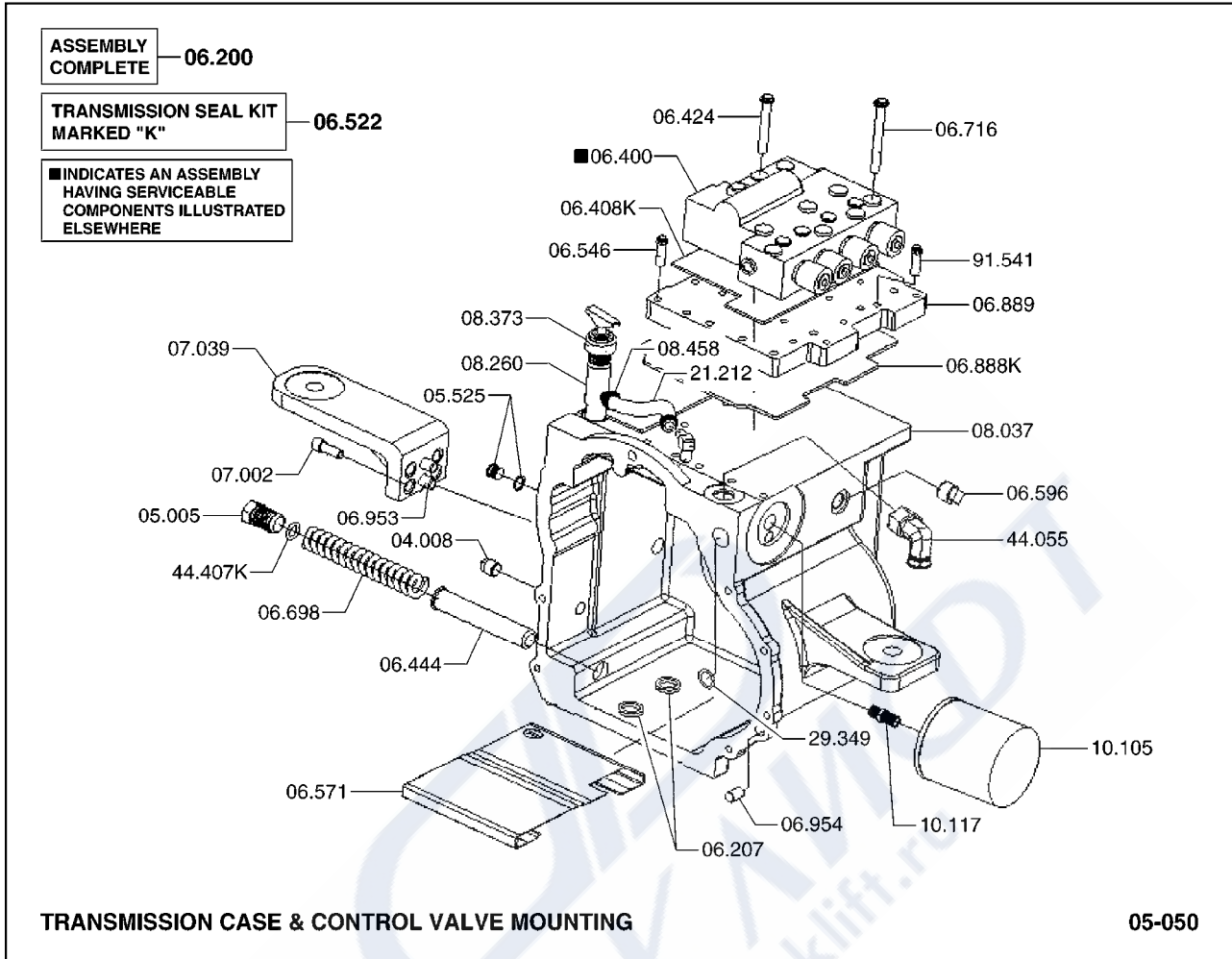




02.060	CAP, FUEL TANK 캡
02.372	FASTENER, ELECTRONIC CONTROL UNIT COVER 패스너
02.659	LINE, FUEL PUMP INLET 라인
02.749	CLAMP, TANK TO FUEL PUMP LINE 클램프
02.973	LINE, FUEL PUMP OUTLET 라인
03.082	LINE, FUEL TANK RETURN 라인
03.100	STRAINER ASSEMBLY, FUEL 스트레이너
03.111	FASTENER, FUEL STRAINER 패스너
03.112	BRACKET, FUEL STRAINER MOUNTING 브라켓

03.432	LINE, FUEL STRAINER INLET 라인
62.125	FASTENER, FUEL FEED PUMP 패스너
97.322	FASTENER, FUEL STRAINER MOUNTING BRACKET 패스너





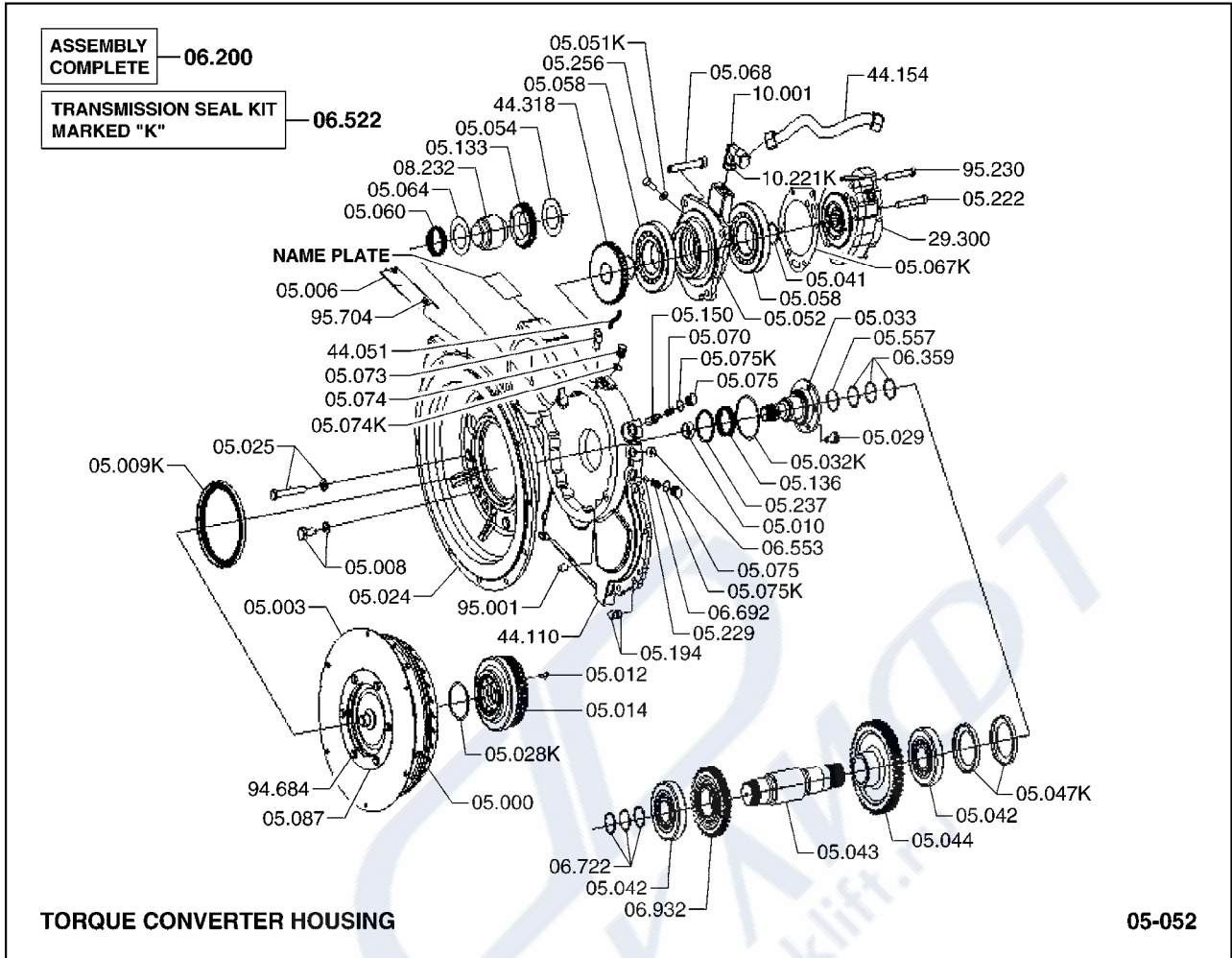
TRANSMISSION CASE & CONTROL VALVE MOUNTING

05-050

04.008	SENSOR, TRANSMISSION FLUID TEMPERATURE 센서	06.888	GASKET, CONTROL COVER SEPARATOR PLATE 가스켓
05.005	PLUG, TORQUE CONVERTER DRAIN 플러그	06.889	PLATE, CONTROL COVER SEPARATOR 플레이트
05.525	PLUG, TRANSMISSION CASE 플러그	06.953	DOWEL, TRANSMISSION REAR HOUSING 다웰
06.200	TRANSMISSION ASSEMBLY 트랜스미션	06.954	DOWEL, TRANSMISSION CASE TO CONVERTER 다웰
06.207	MAGNET, OIL SUMP SCREEN 마그넷	07.002	FASTENER, TRANSMISSION MOUNTING BRACKET RH 패스너
06.400	CONTROL COVER & VALVE ASSEMBLY 컨트롤커버& 밸브	07.039	BRACKET, TRANSMISSION MOUNTING 브라켓
06.408	GASKET, CONTROL COVER ATTACHING 가스켓	08.037	CASE, TRANSMISSION 케이스
06.424	FASTENER, CONTROL COVER 패스너	08.260	TUBE, TRAN OIL LEVEL DIPSTICK SUPPORT 튜브
06.444	STRAINER, TRANSMISSION SUMP OIL 스트레이너	08.373	DIPSTICK, TRANSMISSION 딥스틱
06.522	SEAL AND GASKET KIT, TRANSMISSION 씰& 가스켓	08.458	CLIP, TRANSMISSION DIPSTICK TUBE 클립
06.546	FASTENER, CONTROL COVER PLATE 패스너	10.105	ELEMENT & GASKET, OIL FILTER 엘리먼트& 가스켓
06.571	BAFFLE, TRANSMISSION CASE OIL 배플	10.117	FITTING, OIL FILTER TO BASE 피팅
06.596	CAP, TRANSMISSION INTERMEDIATE SHAFT 캡	21.212	TUBE, TRANSMISSION OIL LEVEL DIPSTICK 튜브
06.698	SPRING, TRANSMISSION REG CHECK VALVE POPPET 스프링	29.349	SEAL, PUMP COVER SEAL LOCATOR 씰
06.716	FASTENER, CONTROL COVER 패스너	44.055	FITTING, TRANSMISSION CONTROL COVER RETURN LINE 피팅

- 44.407 SEAL, TRANSMISSION CASE PLUG  
씰
- 91.541 FASTENER, CONTROL COVER SEPARATOR PLATE  
패스너





TORQUE CONVERTER HOUSING

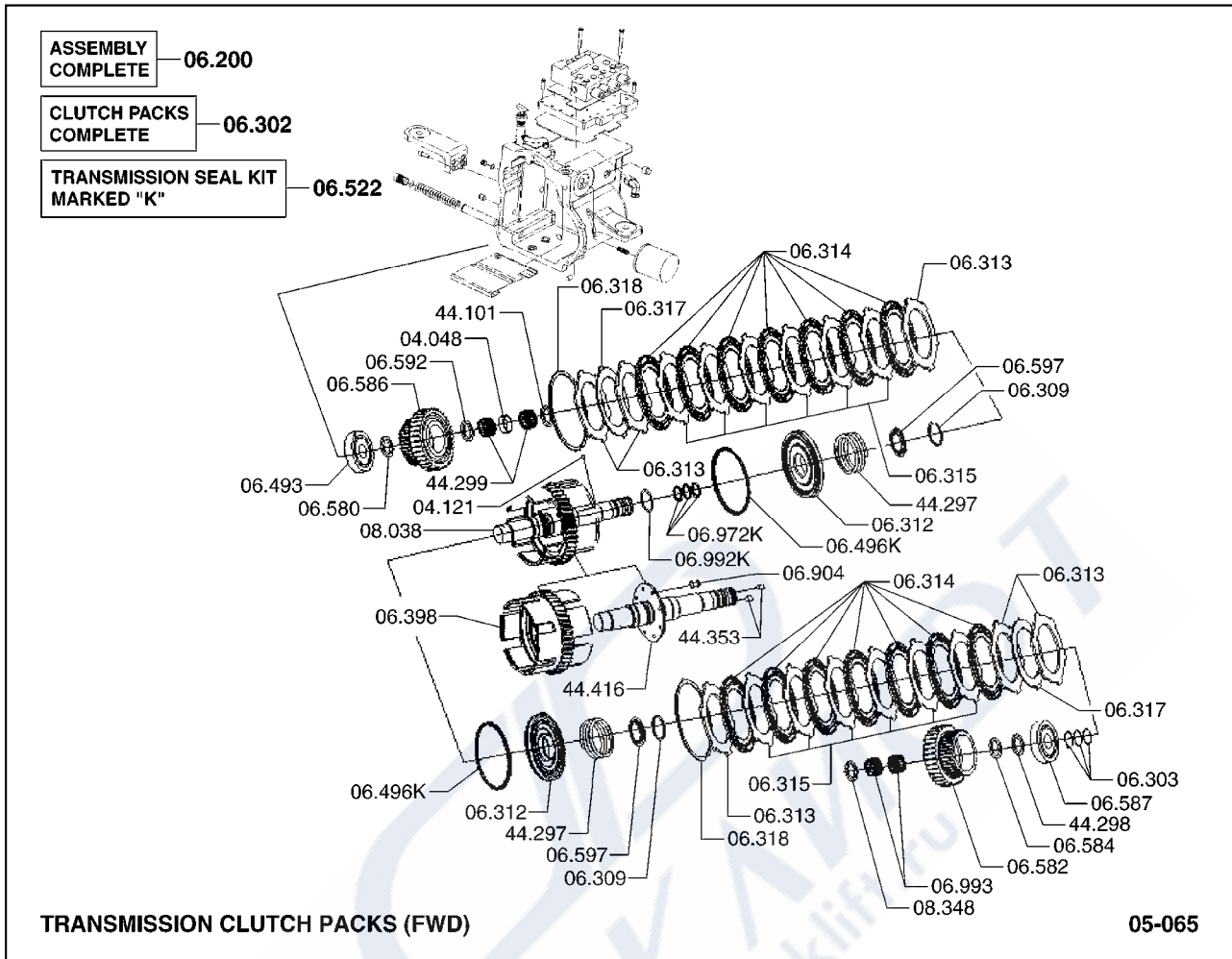
05-052

05.000	CONVERTER ASSEMBLY, TORQUE 컨버터	05.042	BEARING, CONVERTER OUTPUT SHAFT (FRONT) 베어링
05.003	PLATE, CONVERTER DRIVE & REINFORCING 플레이트	05.043	SHAFT, CONVERTER OUTPUT 샤프트
05.006	COVER, CONVERTER IMPELLER 커버	05.044	GEAR, CONVERTER OUTPUT SHAFT 기어
05.008	FASTENER, IMPELLER COVER 패스너	05.047	SEAL, OUTPUT SHAFT BEARING RETAINER 씰
05.009	SEAL, IMPELLER COVER 씰	05.051	SEAL, OUTPUT FLANGE 씰
05.010	BEARING, IMPELLER COVER 베어링	05.052	FLANGE, OUTPUT SHAFT 플랜지
05.012	FASTENER, TURBINE TO HUB 패스너	05.054	WASHER, OUTPUT FLANGE 와셔
05.014	TURBINE, TORQUE CONVERTER 터빈	05.058	BEARING, PUMP SHAFT (FRONT) 베어링
05.024	IMPELLER, TORQUE CONVERTER 임펠러	05.060	BEARING, PUMP SHAFT (REAR) 베어링
05.025	FASTENER, IMPELLER TO HUB 패스너	05.064	WASHER, PUMP SHAFT BEARING RETAINING 와셔
05.028	SEAL, CONVERTER OIL BAFFLE 씰	05.067	GASKET, CONVERTER PUMP 가스켓
05.029	FASTENER, OIL BAFFLE 패스너	05.068	FASTENER, CONVERTER CHARGING PUMP 패스너
05.032	SEAL, STATOR SUPPORT (PISTON RING) 씰	05.070	SPRING, RELIEF VALVE 스프링
05.033	STATOR SUPPORT ASSEMBLY, CONVERTER 스테이터	05.073	FASTENER, HOUSING HOLE COVER 패스너
05.041	RING-RETAINING, OUTPUT SHAFT BRG (FRONT) 링	05.074	PLUG, HOUSING DRAIN 플러그

---

05.075	PLUG, CONVERTER HOUSING DRAIN (FRONT) 플러그
05.087	PLATE, CONVERTER PUMP RETAINER 플레이트
05.133	GEAR, CONVERTOR PUMP IDLER 기어
05.136	BEARING, CONVERTER STATOR SUPPORT 베어링
05.150	VALVE, CONVERTER BREATHER CHECK 밸브
05.194	CAPSCREW, PUMP DRIVE BEARING SHAFT SPACER 캡스크류
05.222	CAPSCREW, CONVERTOR PUMP MOUNTING 캡스크류
05.229	BALL, CONVERTER PRESSURE REGULATING CHECK 볼
05.237	RING, HUB TO IMPELLER BACKING 링
05.256	PLUG, OUTPUT SHAFT FLANGE 플러그
05.557	RETAINER, CONVERTER TURBINE SHAFT BEARING LOCATO 리테이너
06.200	TRANSMISSION ASSEMBLY 트랜스미션
06.359	SHIM, REVERSE CLUTCH BEARING CAP 심
06.522	SEAL AND GASKET KIT, TRANSMISSION 씰& 가스켓
06.553	CAP, TRANSMISSION FILLER 캡
06.692	SPRING, TRANS REG CONVERTOR PRESS VALVE 스프링
06.722	SHIM, TRANSMISSION STATOR SUPPORT 심
06.932	GEAR, TRANSMISSION OUTPUT SHAFT RING 기어
08.232	PIN, TRANS CONTROL INTERLOCK 핀
10.001	FITTING, CONVERTOR CHARGING PUMP INLET 피팅
10.221	SEAL, CONVERTER SUMP INLET FITTING 씰
29.300	PUMP ASSEMBLY, CONVERTER CHARGING 펌프
44.051	HOSE, TRANSMISSION CONTROL COVER PRESSURE 호스
44.110	PLATE, CONVERTER DRIVE 플레이트
44.154	HOSE, TRANSMISSION SUMP TO CONVERTOR PUMP 호스
44.318	GEAR, TRANSMISSION OUTPUT SHAFT 기어
94.684	FASTENER, TORQUE CONVERTER OIL BAFFLE 패스너
95.001	FASTENER, CONVERTER HOUSING 패스너
95.230	FASTENER, CONVERTOR PUMP MOUNTING 패스너
95.704	FASTENER, CONVERTER HOUSING PLATE 패스너

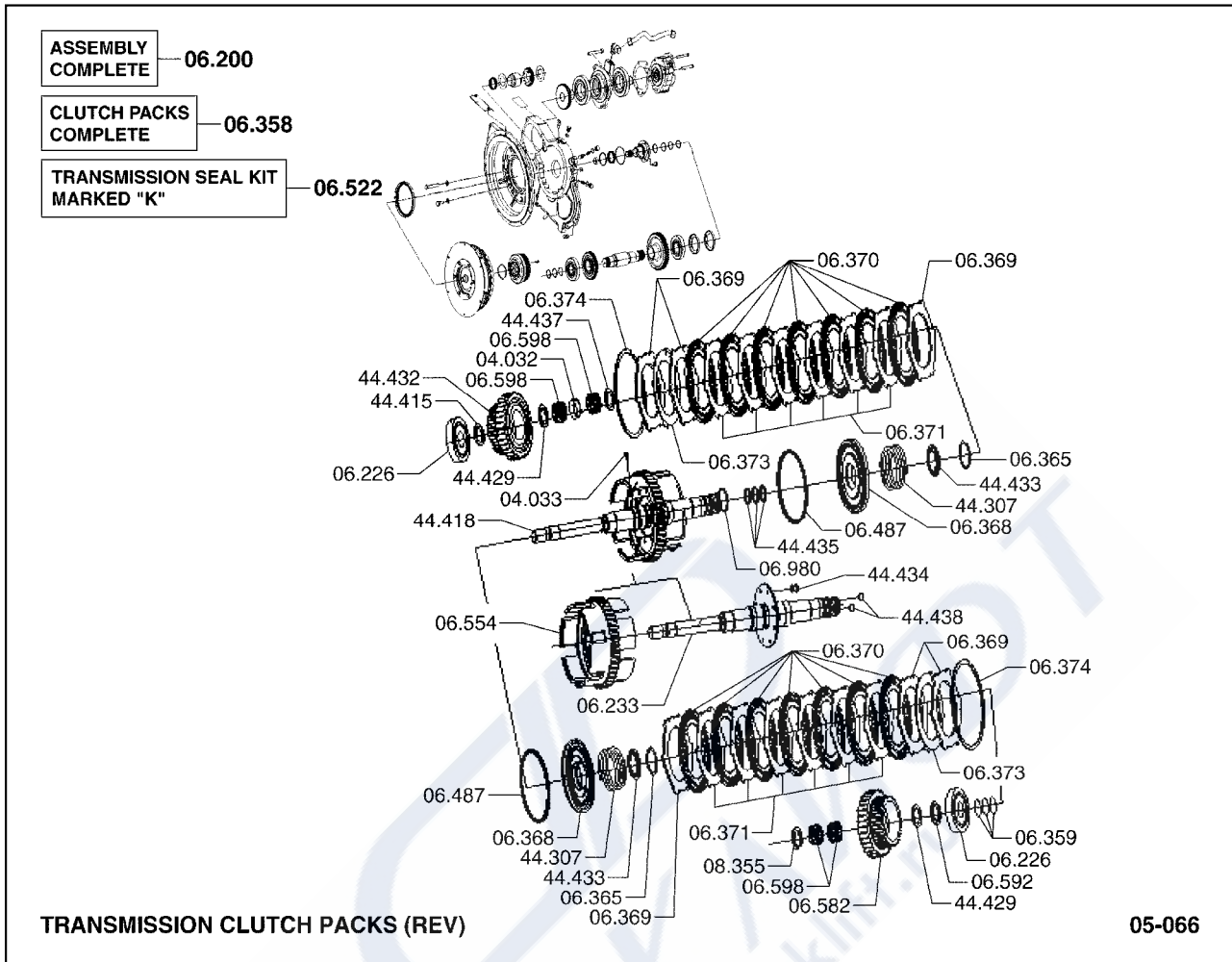




04.048	SPACER, CLUTCH PEDAL BEARING 스페이서	06.522	SEAL AND GASKET KIT, TRANSMISSION 씰& 가스켓
04.121	PIN, CLUTCH THROW OUT LEVER 핀	06.580	THRUST WASHER, REVERSE CLUTCH HUB & DRUM 스러스트와셔
06.200	TRANSMISSION ASSEMBLY 트랜스미션	06.582	GEAR & BEARING, REVERSE 기어& 베어링
06.302	CLUTCH PACK, FORWARD 클러치팩	06.584	THRUST WASHER, 1ST CLUTCH HUB & DRUM 스러스트와셔
06.303	SHIM, FORWARD CLUTCH BEARING CAP 심	06.586	GEAR & BEARING, 1ST 기어& 베어링
06.309	RETAINER, FORWARD HUB 리테이너	06.587	BEARING, 1ST GEAR 베어링
06.312	PISTON, FORWARD CLUTCH 피스톤	06.592	THRUST WASHER, 2ND CLUTCH HUB & DRUM 스러스트와셔
06.313	DISC, FORWARD CLUTCH END 디스크	06.597	RETAINER, TRANSMISSION INT SHAFT OUTER BEARING 리테이너
06.314	DISC, FORWARD CLUTCH INNER 디스크	06.904	FASTENER, FORWARD CLUTCH CYLINDER 패스너
06.315	DISC, FORWARD CLUTCH OUTER 디스크	06.972	RING, CLUTCH RELEASE SPRING RETAINER 링
06.317	PLATE, FORWARD CLUTCH DISC END 플레이트	06.992	SEAL, CLUTCH SHAFT OIL 씰
06.318	RING, FORWARD CLUTCH DISC END PLATE RET 링	06.993	BEARING, CLUTCH SHAFT PILOT 베어링
06.398	CYLINDER, FORWARD CLUTCH 실린더	08.038	COUNTERSHAFT ASSEMBLY 카운터샤프트
06.493	BEARING, FORWARD SHAFT INNER 베어링	08.348	WASHER, FORWARD GEAR THRUST 와셔
06.496	SEAL, FORWARD CLUTCH SHAFT-OUTER 씰	44.101	THRUST WASHER, CLUTCH SHAFT PILOT BEARING 스러스트와셔

44.297	SPRING-RETURN, INTERMEDIATE SHAFT PISTON 스프링
44.298	THRUST WASHER, BEARING LOCATOR 스러스트와셔
44.299	BEARING, TRANSMISSION INTERMEDIATE SHAFT 베어링
44.353	PLUG, CLUTCH DRIVE SHAFT AND GEAR 플러그
44.416	SHAFT, CLUTCH COUNTER 샤프트





04.032	SPACER, CLUTCH PEDAL BEARING 스페이서	06.522	SEAL AND GASKET KIT, TRANSMISSION 씰& 가스켓
04.033	PIN, CLUTCH THROW OUT LEVER 핀	06.554	CLUTCH PACK, DIRECTION SELECTOR 클러치팩
06.200	TRANSMISSION ASSEMBLY 트랜스미션	06.582	GEAR & BEARING, REVERSE 기어& 베어링
06.226	BEARING, REVERSE SHAFT INNER 베어링	06.592	THRUST WASHER, 2ND CLUTCH HUB & DRUM 스러스트와셔
06.233	SHAFT, INPUT 샤프트	06.598	BEARING, TRANSMISSION INTERMEDIATE SHAFT OUTER 베어링
06.358	CLUTCH PACK, REVERSE 클러치팩	06.980	SEAL, CLUTCH SHAFT OIL 씰
06.359	SHIM, REVERSE CLUTCH BEARING CAP 심	08.355	WASHER, REVERSE GEAR THRUST 와셔
06.365	RETAINER, REVERSE HUB 리테이너	44.307	SPRING-RETURN, INPUT SHAFT PISTON 스프링
06.368	PISTON, REVERSE CLUTCH 피스톤	44.415	THRUST WASHER, BEARING LOCATOR 스러스트와셔
06.369	DISC, REVERSE CLUTCH END 디스크	44.418	TURBINE SHAFT, DRUM & CLUTCH ASSY 터빈샤프트
06.370	DISC, REVERSE CLUTCH INNER 디스크	44.429	THRUST WASHER, REVERSE CLUTCH HUB & DRUM 스러스트와셔
06.371	DISC, REVERSE CLUTCH OUTER 디스크	44.432	GEAR & BEARING, REVERSE 기어& 베어링
06.373	PLATE, REVERSE CLUTCH DISC END 플레이트	44.433	RETAINER, TRANSMISSION INT SHAFT OUTER BEARING 리테이너
06.374	RING, REVERSE CLUTCH DISC END PLATE RET 링	44.434	FASTENER, REVERSE CLUTCH CYLINDER 패스너
06.487	SEAL, REVERSE CLUTCH SHAFT-OUTER 씰	44.435	RING, CLUTCH RELEASE SPRING RETAINER 링

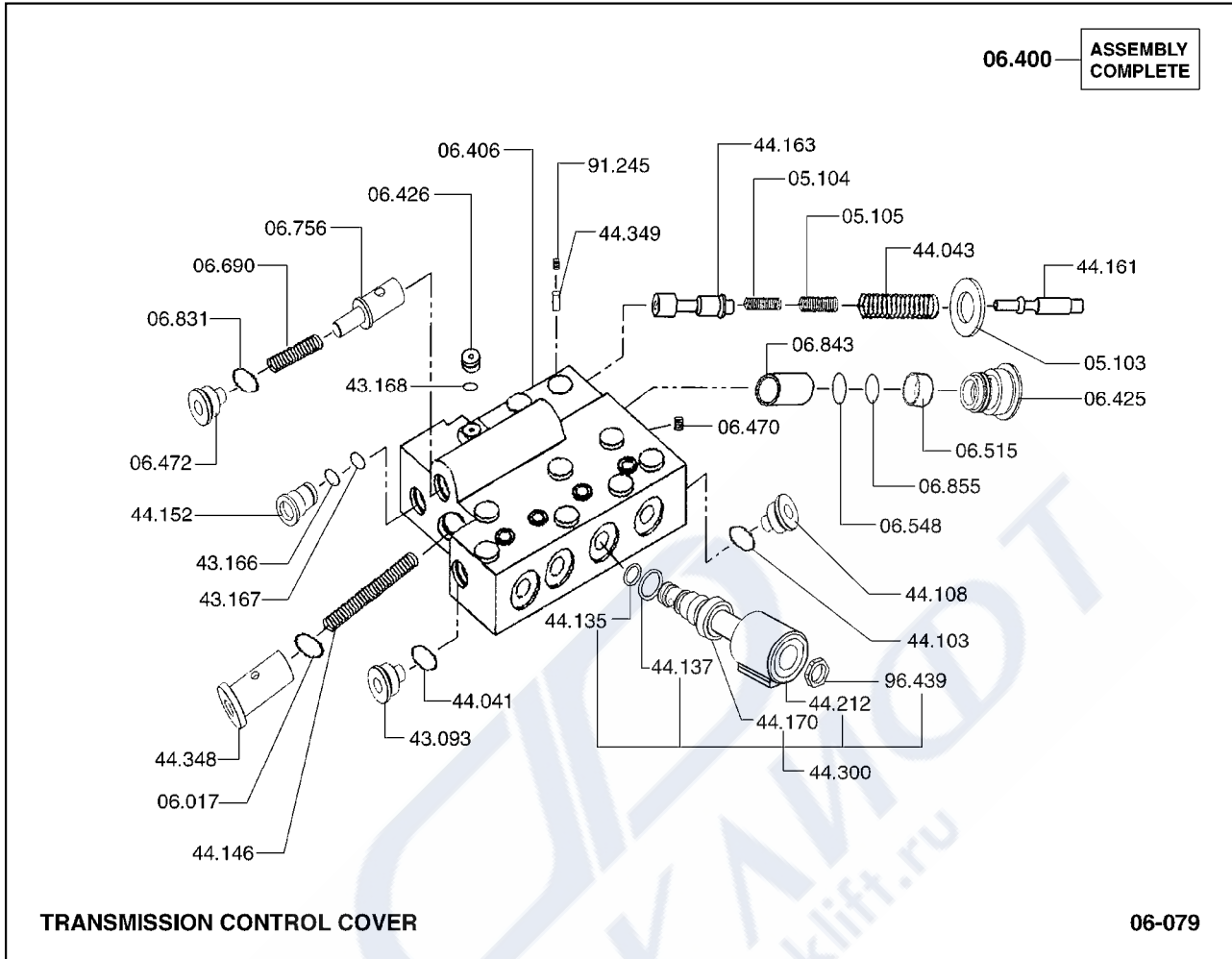
44.437 THRUST WASHER, CLUTCH SHAFT PILOT BEARING

스러스트와셔

44.438 PLUG, CLUTCH DRIVE SHAFT AND GEAR

플러그

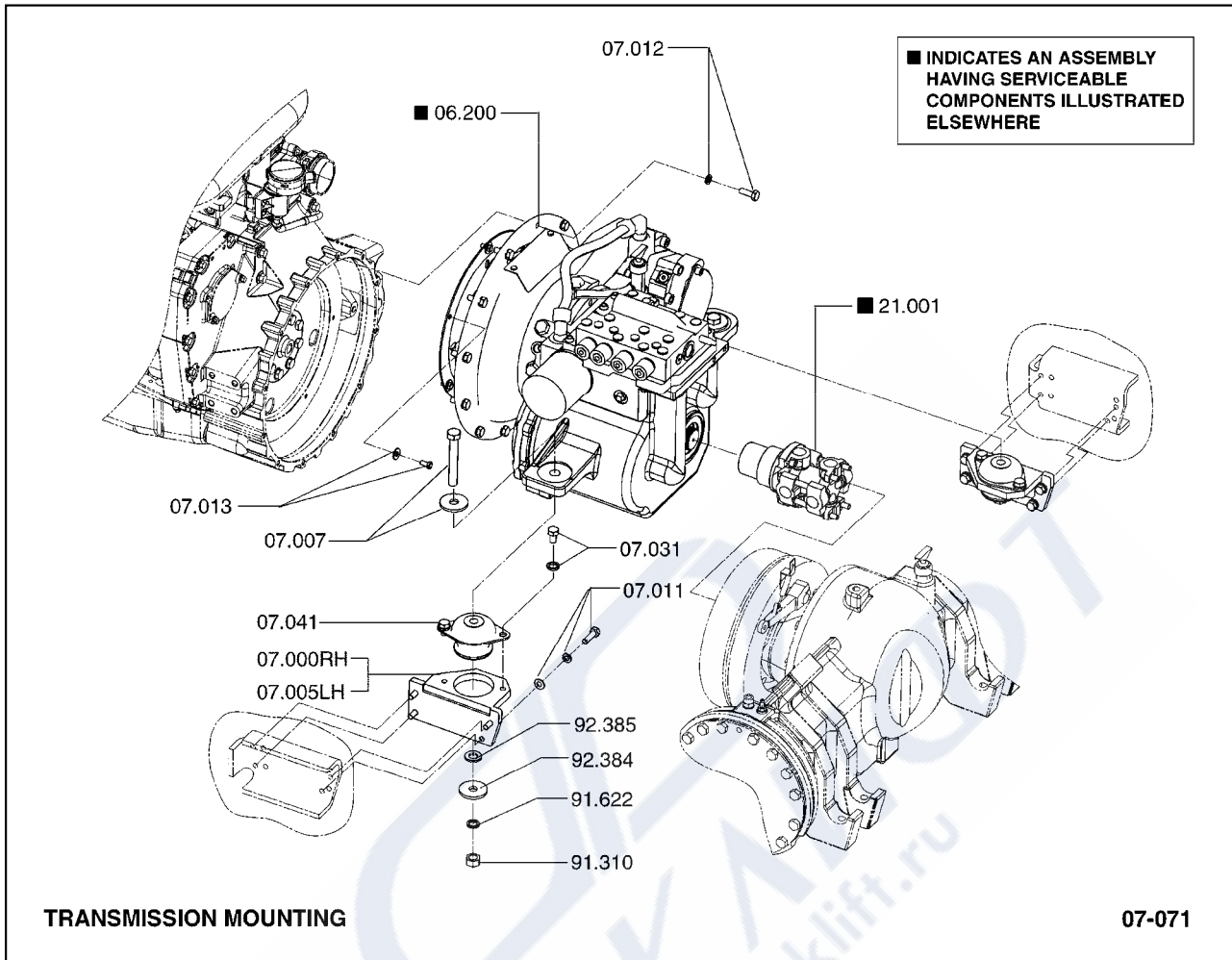




05.103	SEAL, VALVE STOP 씰	06.843	STOP, ACCUMULATOR PISTON 스톱
05.104	SPRING, INNER 스프링	06.855	SEAL, CONTROL COVER OIL PASSAGE (LARGE) 씰
05.105	SPRING, OUTER 스프링	43.093	PLUG, CONTROL VALVE HOUSING 플러그
06.017	O-RING, SPOOL CARTRIDGE 오링	43.166	SEAL, CONTROL MODULE 씰
06.400	CONTROL COVER & VALVE ASSEMBLY 컨트롤커버& 밸브	43.167	SEAL, CONTROL MODULE 씰
06.406	COVER, CONTROL 커버	43.168	SEAL, CONTROL MODULE COVER 씰
06.425	PLUG, CONTROL COVER OIL PASSAGE 플러그	44.041	SEAL, TRANSMISSION CONTROL COVER PLUG OUTER 씰
06.426	PLUG, CONTROL COVER 플러그	44.043	SPRING, CONTROL VALVE SPEED SELECTOR SPOOL CENTE 스프링
06.470	PLUG, CONTROL VALVE HOUSING OIL PASSAGE 플러그	44.103	PISTON RING, TRANSMISSION ACCUMULATOR 피스톤링
06.472	PLUG, CONTROL VALVE HOUSING OIL PASSAGE 플러그	44.108	PLUG, TRANSMISSION ACCUMULATOR BORE 플러그
06.515	BUSHING, CONTROL COVER 부싱	44.135	SEAL, SOLENOID VALVE 씰
06.548	SEAL, CONTROL COVER OIL PASSAGE - LARGE 씰	44.137	SEAL, SOLENOID VALVE 씰
06.690	SPRING, REGULATOR TRANS PRESS VALVE 스프링	44.146	SPRING, MODULATOR SPOOL 스프링
06.756	PISTON, TRANSMISSION FRONT BRAKE ACTUATOR 피스톤	44.152	PLUG, CONTROL VALVE SHUTTLE PISTON SPEED CONTROL 플러그
06.831	SEAL, PRESSURE REGULATING VALVE STOP 씰	44.161	STOP, TRANSMISSION ACCUMULATOR SPOOL 스톱

44.163	STOP, TRANSMISSION SAFETY VALVE 스톱
44.170	COIL, TRANSMISSION CONTROL COVER SOLENOID 코일
44.212	CARTRIDGE, CONTROL VALVE SHIFT SOLENOID 카트리지
44.300	VALVE ASSEMBLY, SOLENOID 밸브
44.348	STOP, TRANS LUBE BY-PASS SPOOL SPRING 스톱
44.349	PIN, TRANS LUBE BY-PASS AND COOLER SEPARATOR 핀
91.245	BOLT, HOUSING COVER PLATE 볼트
94.439	LOCKWASHER, HOOD PROP BRACKET SUPPORT FASTENER 로크와셔





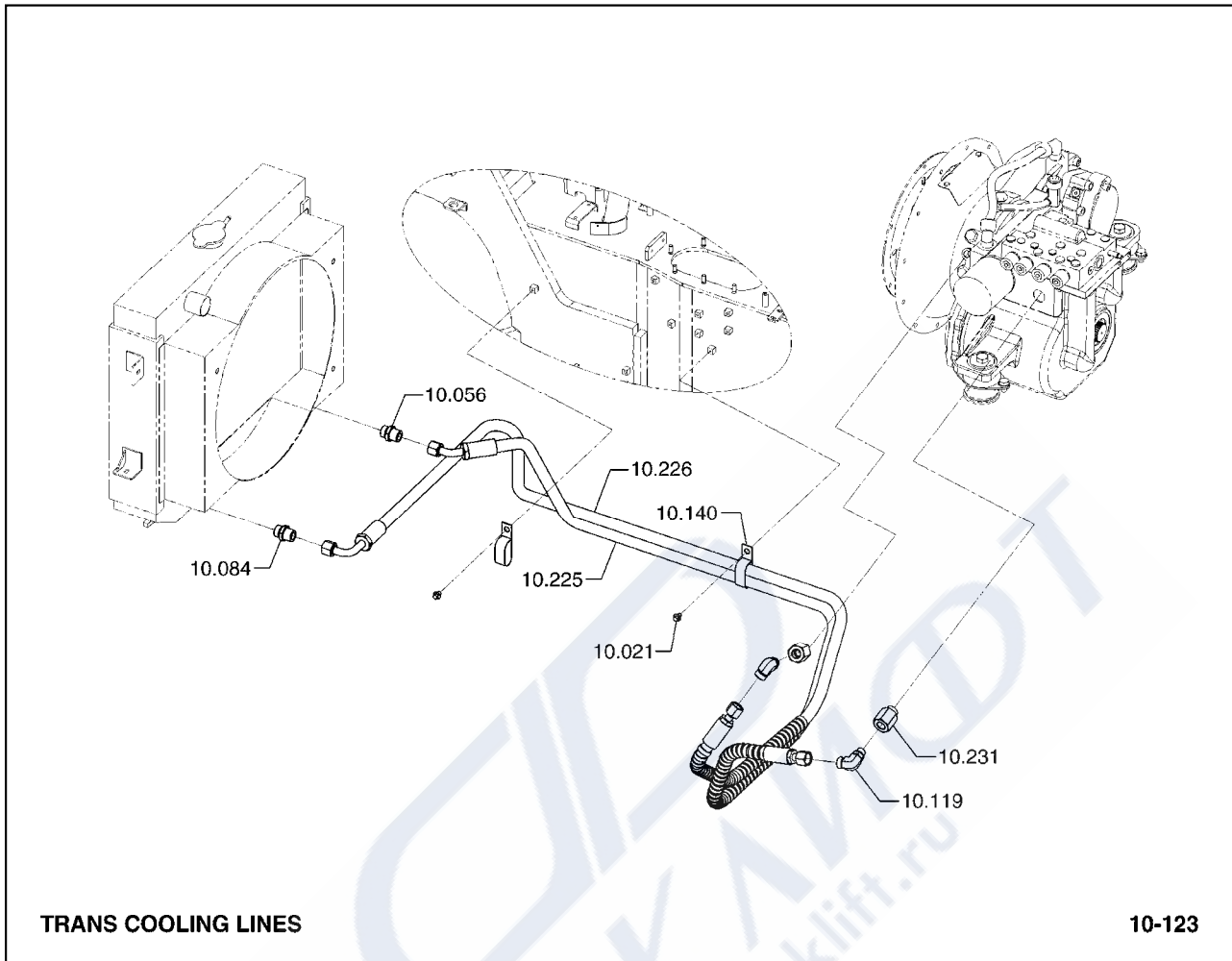
06.200	TRANSMISSION ASSEMBLY 트랜스미션
07.000	BRACKET, TRANSMISSION MOUNTING (RH) 브라켓
07.005	BRACKET, TRANSMISSION MOUNTING LH 브라켓
07.007	FASTENER, TRANSMISSION MOUNTING BRACKET LH 패스너
07.011	FASTENER, TRANSMISSION MOUNTING BRACKET LH 패스너
07.012	FASTENER, TRANSMISSION TO ENGINE 패스너
07.013	FASTENER, TRANSMISSION TO ENGINE 패스너
07.031	BOLT, TRANSMISSION MOUNTING BRACKET PAD 볼트
07.041	DAMPENER, TRANSMISSION MOUNTING VIBRATION 댐프너

---

21.001	SHAFT ASSEMBLY, TRANSMISSION TO AXLE PROPELLER 샤프트
91.310	NUT, TRANS MOUNTING BRACKET FASTENER (LH) 너트
91.622	LOCKWASHER, TRANSMISSION MOUNTING BRACKET FASTENER 로크와셔
92.384	WASHER, TRANSMISSION MOUNTING BRACKET TO FRAME FAS 와셔
92.385	WASHER, TRANSMISSION MOUNTING BRACKET TO FRAME FAS 와셔



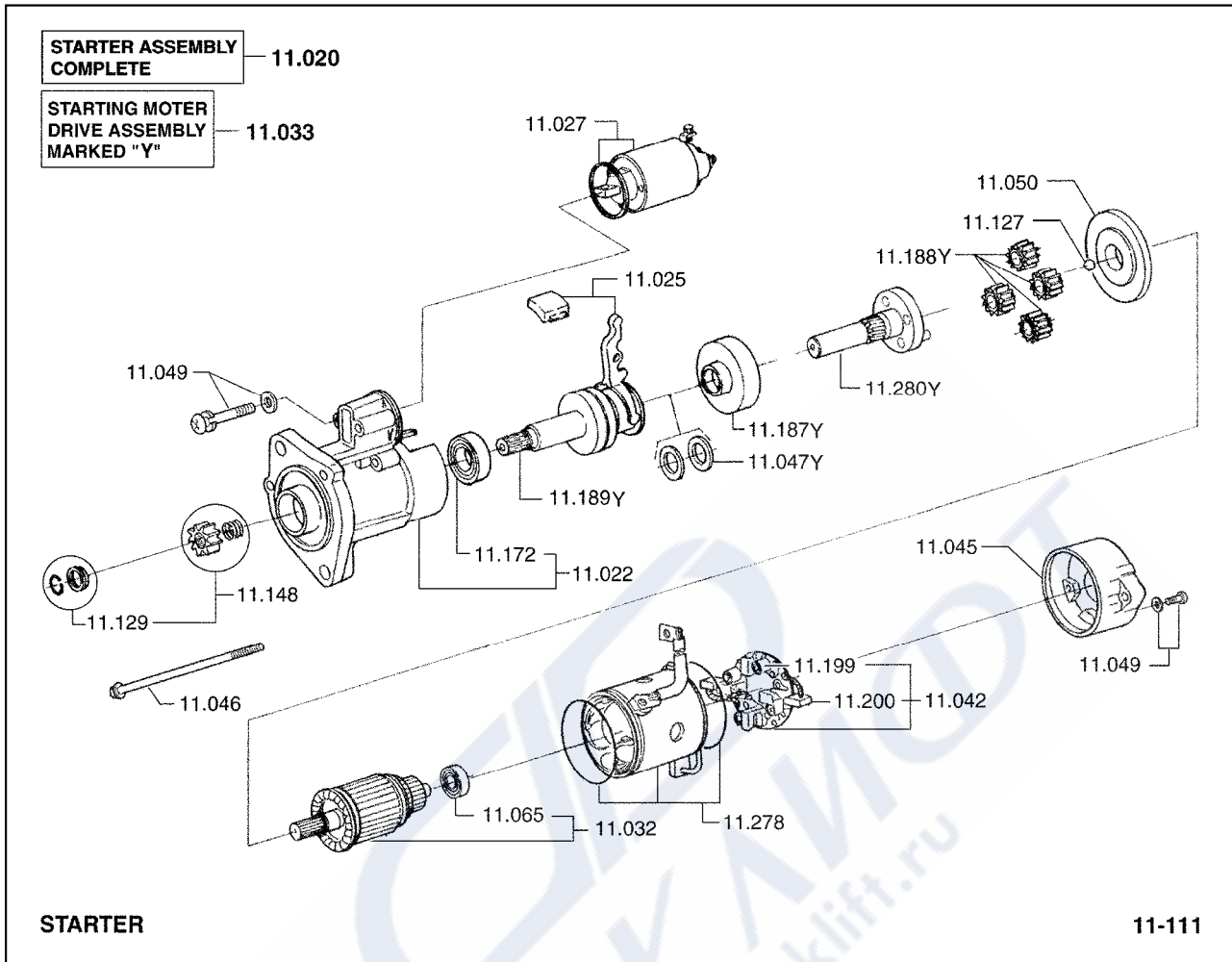




TRANS COOLING LINES

10-123

- |        |   |
|--------|---|
| 10.021 | FASTENER, COOLER OUTLET LINE CLAMP<br>패스너     |
| 10.056 | FITTING, COOLER OUTLET<br>피팅                  |
| 10.084 | FITTING, COOLER INLET LINE<br>피팅              |
| 10.119 | FITTING, TRANSMISSION COOLER INLET LINE<br>피팅 |
| 10.140 | CLAMP, COOLER LINE<br>클램프                     |
| 10.225 | LINE, OIL COOLING<br>라인                       |
| 10.226 | LINE, OIL COOLING<br>라인                       |
| 10.231 | FITTING, OIL COOLING LINES<br>피팅              |



STARTER

11-111

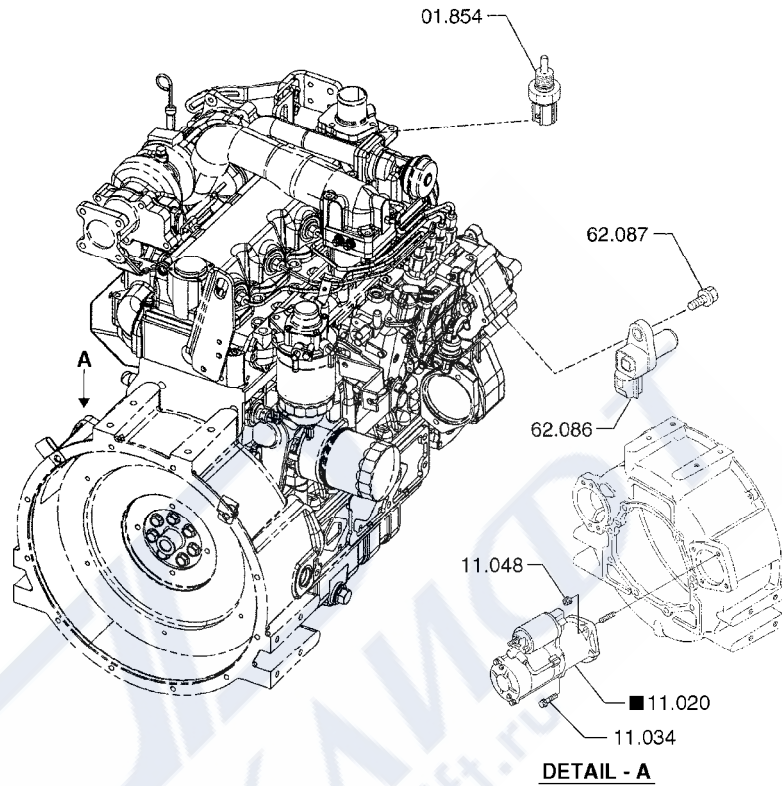
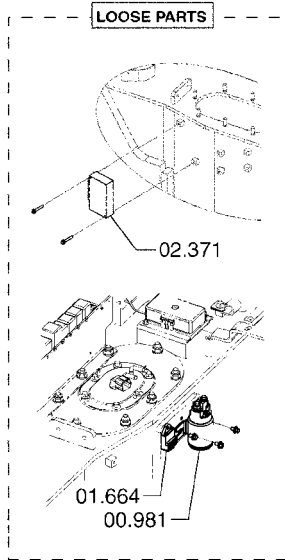
11.020	MOTOR ASSEMBLY, STARTING 모터
11.022	HOUSING & BUSHING, DRIVE END 하우징 & 부싱
11.025	LEVER, DRIVE SHIFT FORK 레버
11.027	SWITCH, SOLENOID 스위치
11.032	ARMATURE, STARTING MOTOR 아마츄어
11.033	DRIVE ASSEMBLY, STARTING MOTOR 드라이브
11.042	BRUSH HOLDER & BRUSH (KIT) 브러쉬홀더
11.045	FRAME, COMMUTATOR END 프레임
11.046	FASTENER, THRU 패스너

---

11.047	WASHER, COMMUTATOR END THRUST 와셔
11.049	FASTENER, STARTING MOTOR 패스너
11.050	PLATE, STARTING MOTOR CENTER BEARING 플레이트
11.065	BEARING, COMMUTATOR END FRAME 베어링
11.127	BALL, CRANKING MOTOR DRIVE 볼
11.129	STOP, CRANKING MOTOR DRIVE 스톱
11.148	PINION, CRANKING MOTOR DRIVE 피니언
11.172	BEARING, CRANKING MOTOR CENTER 베어링
11.187	GEAR, STARTER REDUCTION INTERNAL 기어
11.188	GEAR, STARTER REDUCTION PINION 기어
11.189	CLUTCH, STARTER OVERRUNNING 클러치
11.199	BRUSH, STARTING MOTOR 브러쉬
11.200	BRUSH, STARTING MOTOR 브러쉬
11.278	YOKE, STARTING MOTOR 요크
11.280	SHAFT, STARTER PINION 샤프트

ASSEMBLY COMPLETE 00.000

■ INDICATES AN ASSEMBLY HAVING SERVICEABLE COMPONENTS ILLUSTRATED ELSEWHERE



ELECTRICAL CONTROL

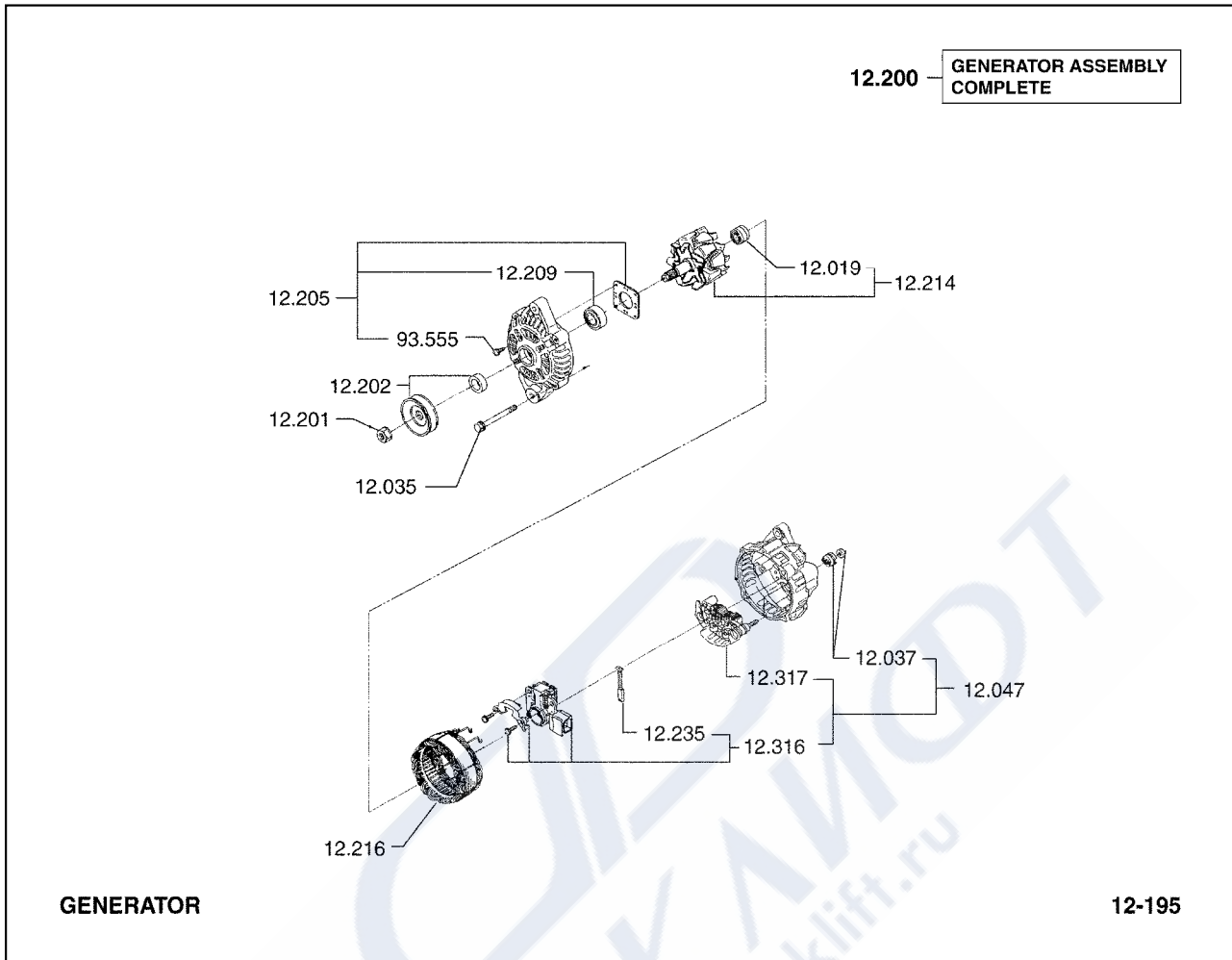
11-302

00.000	PRODUCTION ENGINE ASSEMBLY 엔진
00.981	RELAY, ENGINE PRE-HEATER 릴레이
01.664	CONTROLLER, ENGINE PRE-HEATER 컨트롤러
01.854	SENSOR, ENGINE COOLANT TEMPERATURE 센서
02.371	CONTROL UNIT, ELECTRONIC (ECU) 컨트롤유닛
11.020	MOTOR ASSEMBLY, STARTING 모터
11.034	FASTENER, STARTING MOTOR 패스너
11.048	FASTENER, STARTING MOTOR 패스너
62.086	SENSOR, ENGINE SPEED 센서

62.087

FASTENER, ENGINE SPEED SENSOR  
페스너

ФОРКЛИФТ  
www.forklift.ru

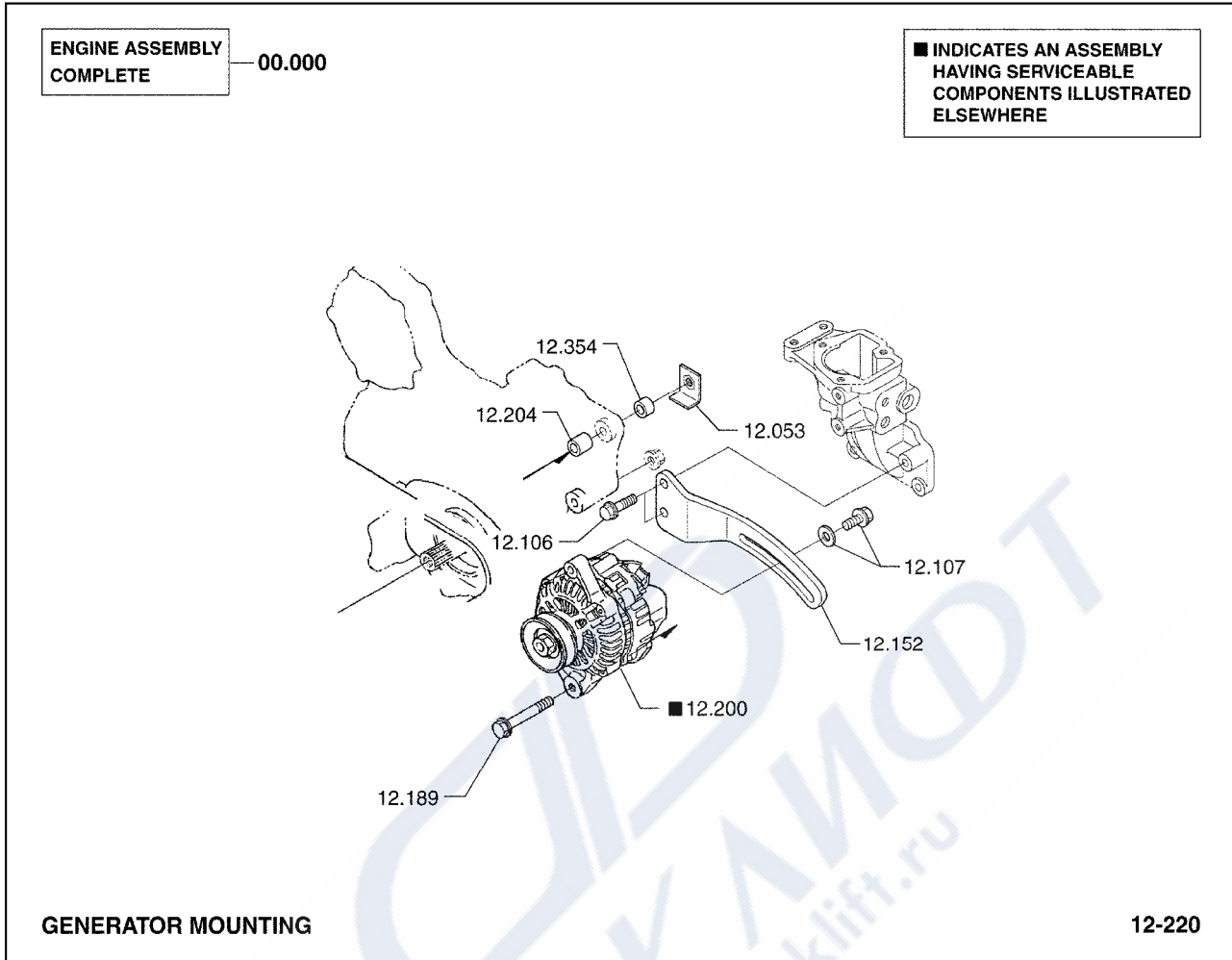


- 12.019 BEARING, GENERATOR DRIVE END  
베어링
- 12.035 FASTENER, GENERATOR ARMATURE TERM WIRE  
패스너
- 12.037 FASTENER, GENERATOR FIELD TERMINAL WIRE  
패스너
- 12.047 FRAME, GENERATOR COMMUTATOR END  
프레임
- 12.200 ALTERNATOR ASSEMBLY  
알터네이터
- 12.201 FASTENER, ALTERNATOR PULLEY TO SHAFT  
패스너
- 12.202 PULLEY, ALTERNATOR  
풀리
- 12.205 FRAME, ALTERNATOR DRIVE END  
프레임
- 12.209 BEARING, ALTERNATOR DRIVE END  
베어링

---

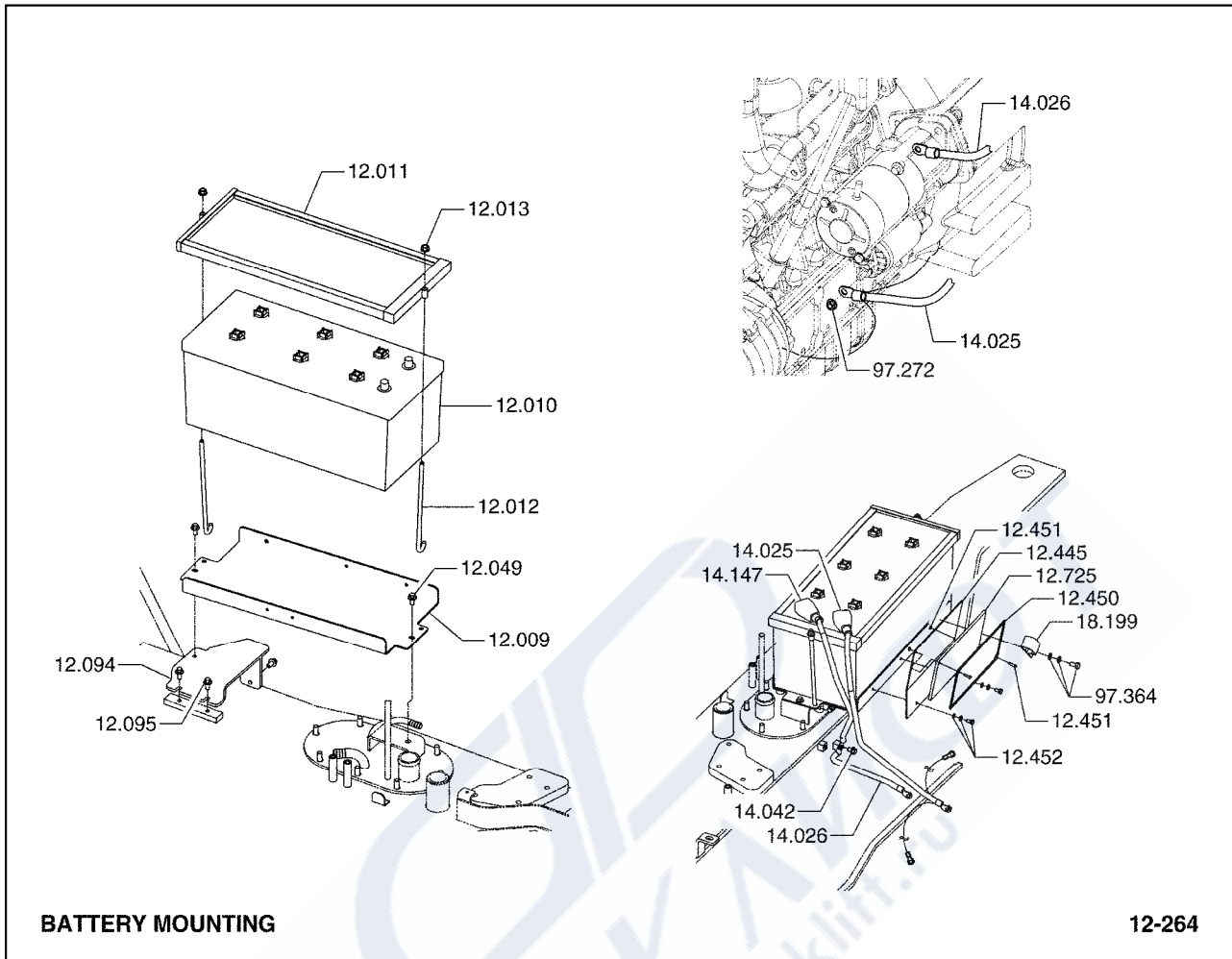
12.214	ROTOR ASSEMBLY, ALTERNATOR 로터
12.216	STATOR ASSEMBLY, ALTERNATOR 스테이터
12.235	BRUSH KIT, ALTERNATOR 브러쉬키트
12.316	REGULATOR, ALTERNATOR VOLTAGE OUTPUT 레귤레이터
12.317	RECTIFIER ASSEMBLY, ALTERNATOR 정류기
93.555	FASTENER, ALTERNATOR RECTIFIER HOUSING COVER 패스너





00.000	PRODUCTION ENGINE ASSEMBLY 엔진
12.053	SUPPORT, GENERATOR MOUNTING BRACKET 서포트
12.106	FASTENER, ADJUSTING STRAP MOUNTING 패스너
12.107	FASTENER, ADJUSTING STRAP TO ALTERNATOR 패스너
12.152	BRACKET, ALTERNATOR ADJUSTING STRAP 브라켓
12.189	FASTENER, ALTERNATOR MOUNTING 패스너
12.200	ALTERNATOR ASSEMBLY 알터네이터
12.204	COLLAR, ALTERNATOR DRIVE END 칼라
12.354	COLLAR, ALTERNATOR DRIVE END 칼라





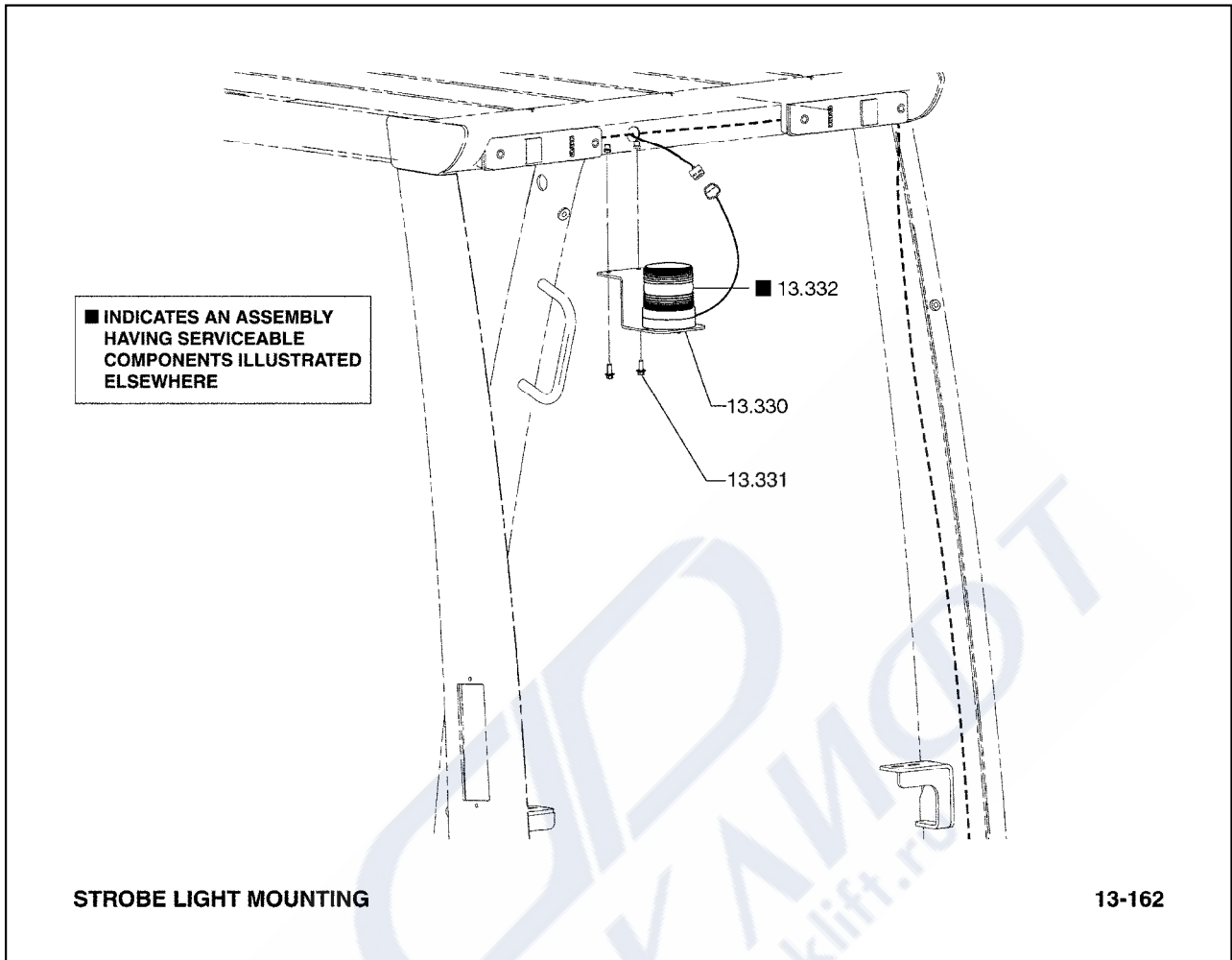
**BATTERY MOUNTING**

**12-264**

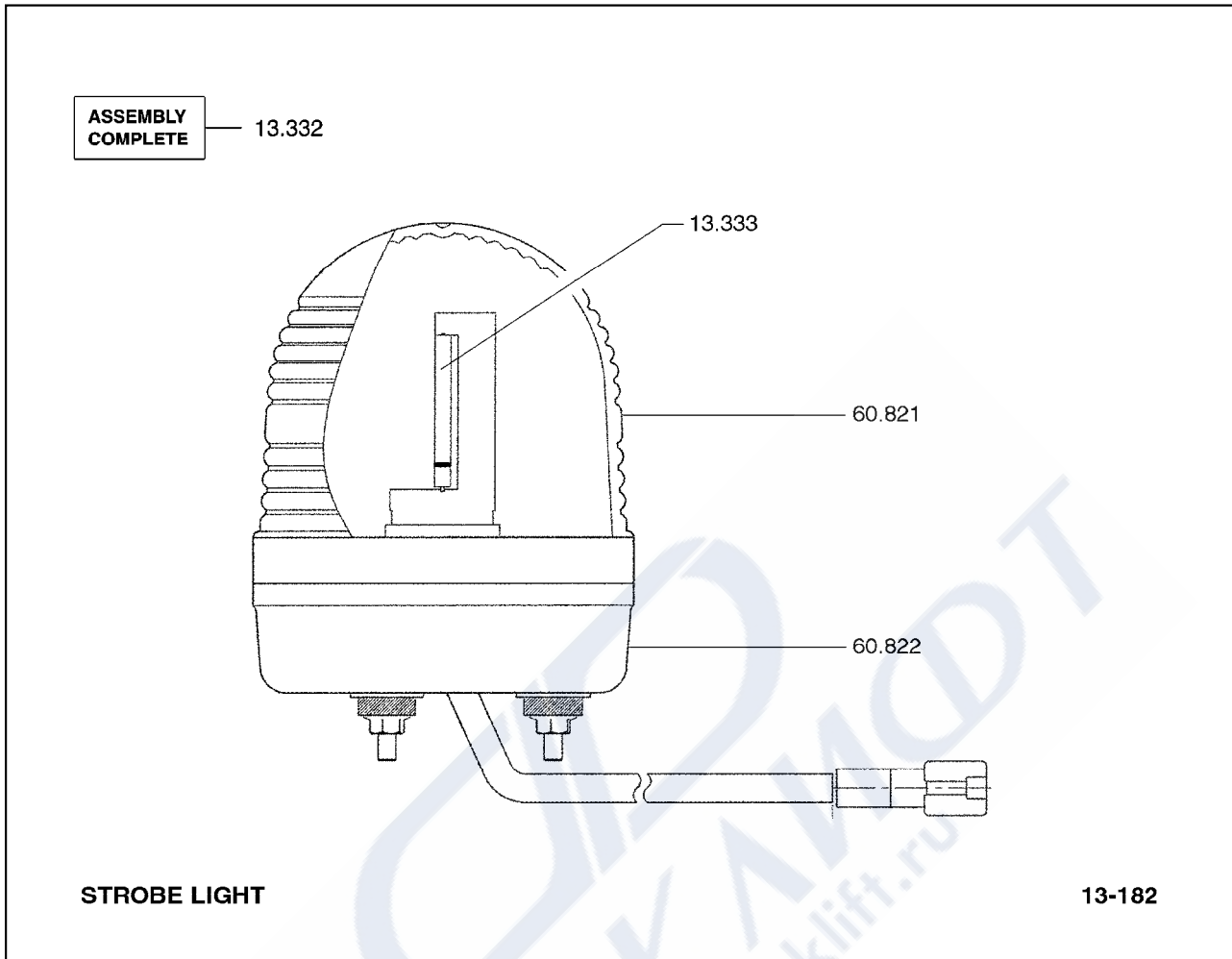
- |        |   |
|--------|---|
| 12.009 | SUPPORT, BATTERY<br>서포트                       |
| 12.010 | BATTERY<br>배터리                                |
| 12.011 | CLAMP, BATTERY HOLD DOWN<br>클램프               |
| 12.012 | STUD, BATTERY HOLD DOWN<br>스터드                |
| 12.013 | FASTENER, BATTERY HOLD DOWN (AT CLAMP)<br>패스너 |
| 12.049 | FASTENER, BATTERY SUPPORT<br>패스너              |
| 12.094 | BRACKET, BATTERY SUPPORT<br>브라켓               |
| 12.095 | FASTENER, BATTERY SUPPORT BRACKET<br>패스너      |
| 12.445 | BRACKET, BATTERY INSULATOR SUPPORT<br>브라켓     |

---

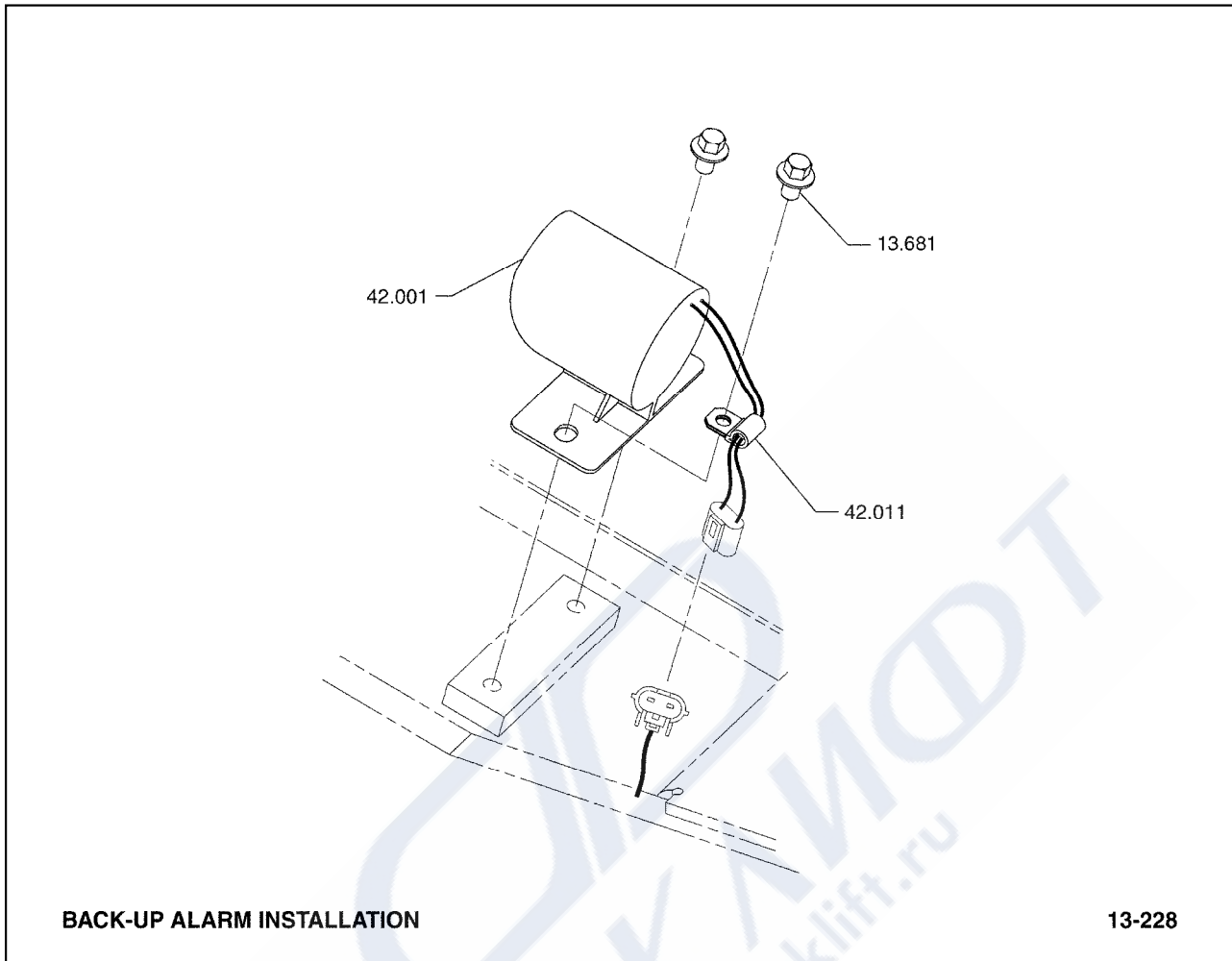
12.450	COVER, BATTERY HEAT SHIELD INSULATOR 커버
12.451	FASTENER, BATTERY INSULATOR COVER 패스너
12.452	FASTENER, BATTERY INSULATOR SUPPORT BRACKET 패스너
12.725	INSULATOR, BATTERY HEAT SHIELD 절연체
14.025	CABLE, BATTERY TO STARTER 케이블
14.026	CABLE, BATTERY GROUND 케이블
14.042	FASTENER, BATTERY GROUND CABLE 패스너
14.147	CABLE, BATTERY NEGATIVE 케이블
18.199	CLAMP, PARKING BRAKE SWITCH WIRE HARNESS 클램프
97.272	FASTENER, CABLE & WIRE TO STARTER 패스너
97.364	FASTENER, PARKING BRAKE SWITCH WIRE HARNESS CLAMP 패스너



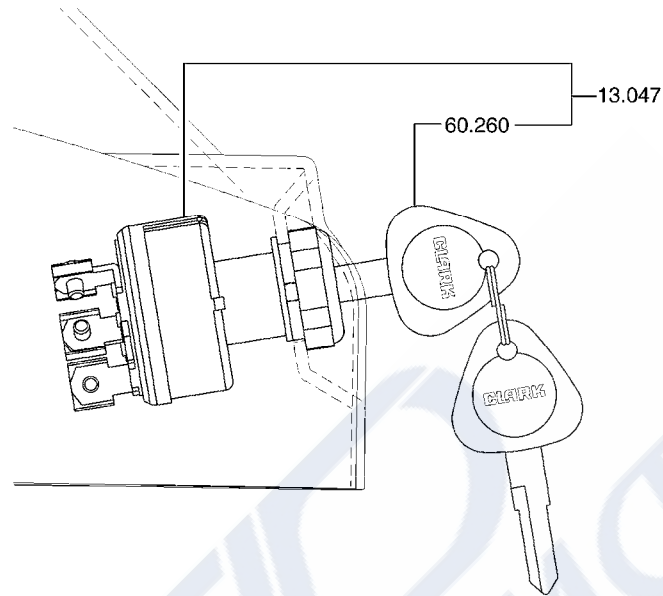
- |        |  |
|--------|--|
| 13.330 | BRACKET, WARNING LIGHT<br>브라켓          |
| 13.331 | FASTENER, WARNING LIGHT BRACKET<br>패스너 |
| 13.332 | ASSEMBLY, WARNING LIGHT<br>경고등         |



- |        |                                |
|--------|--------------------------------|
| 13.332 | ASSEMBLY, WARNING LIGHT<br>경고등 |
| 13.333 | BULB, WARNING LIGHT<br>전구      |
| 60.821 | GLOBE, STROBE LIGHT<br>글로브     |
| 60.822 | BASE, STROBE LIGHT<br>베이스      |



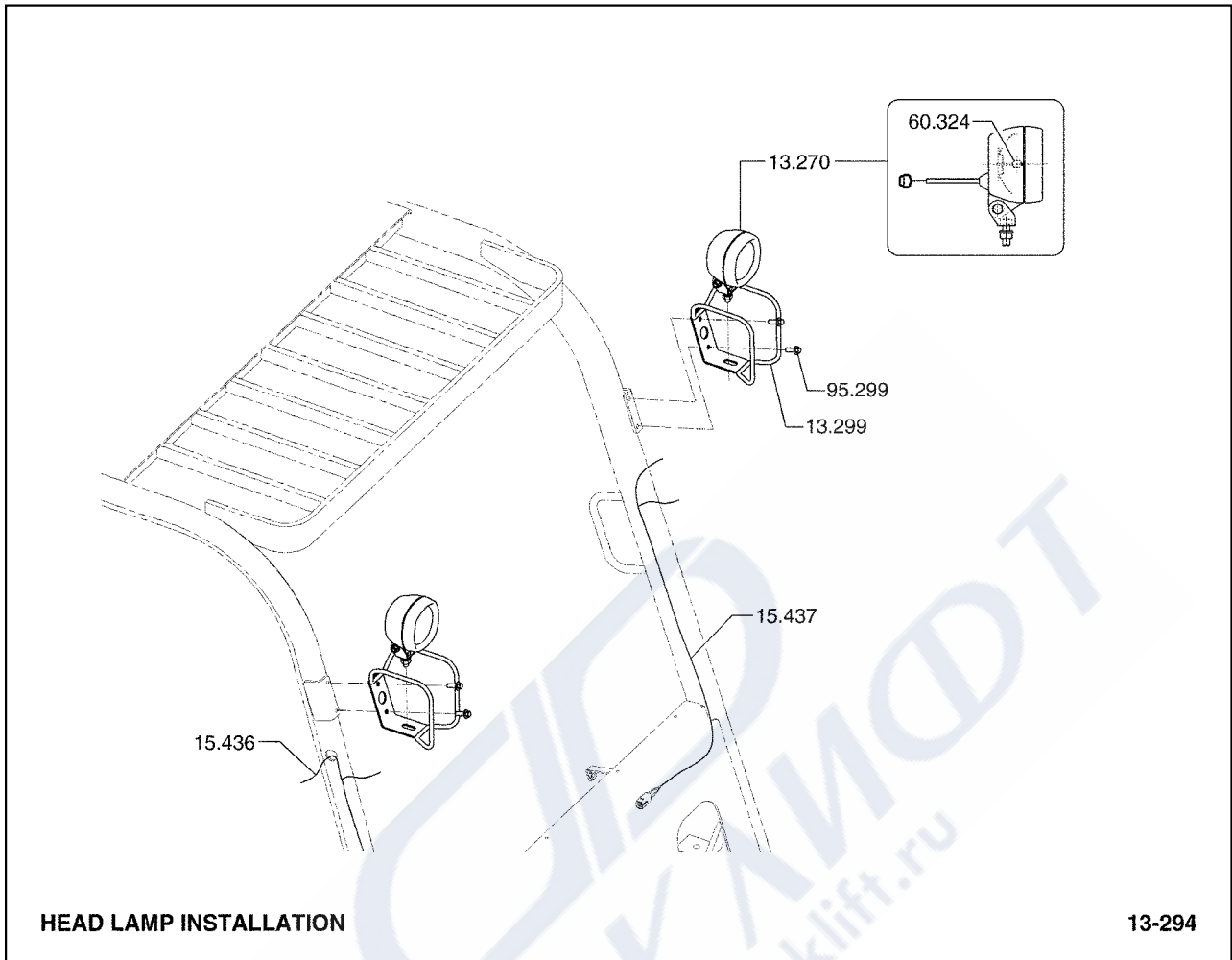
- |        |  |
|--------|--|
| 13.681 | FASTENER, WARNING DEVICE<br>패스너            |
| 42.001 | WARNING DEVICE, AUDIBLE (AIR OPER)<br>경고장치 |
| 42.011 | CLIP, AUDIBLE WARNING DEVICE CABLE<br>클립   |



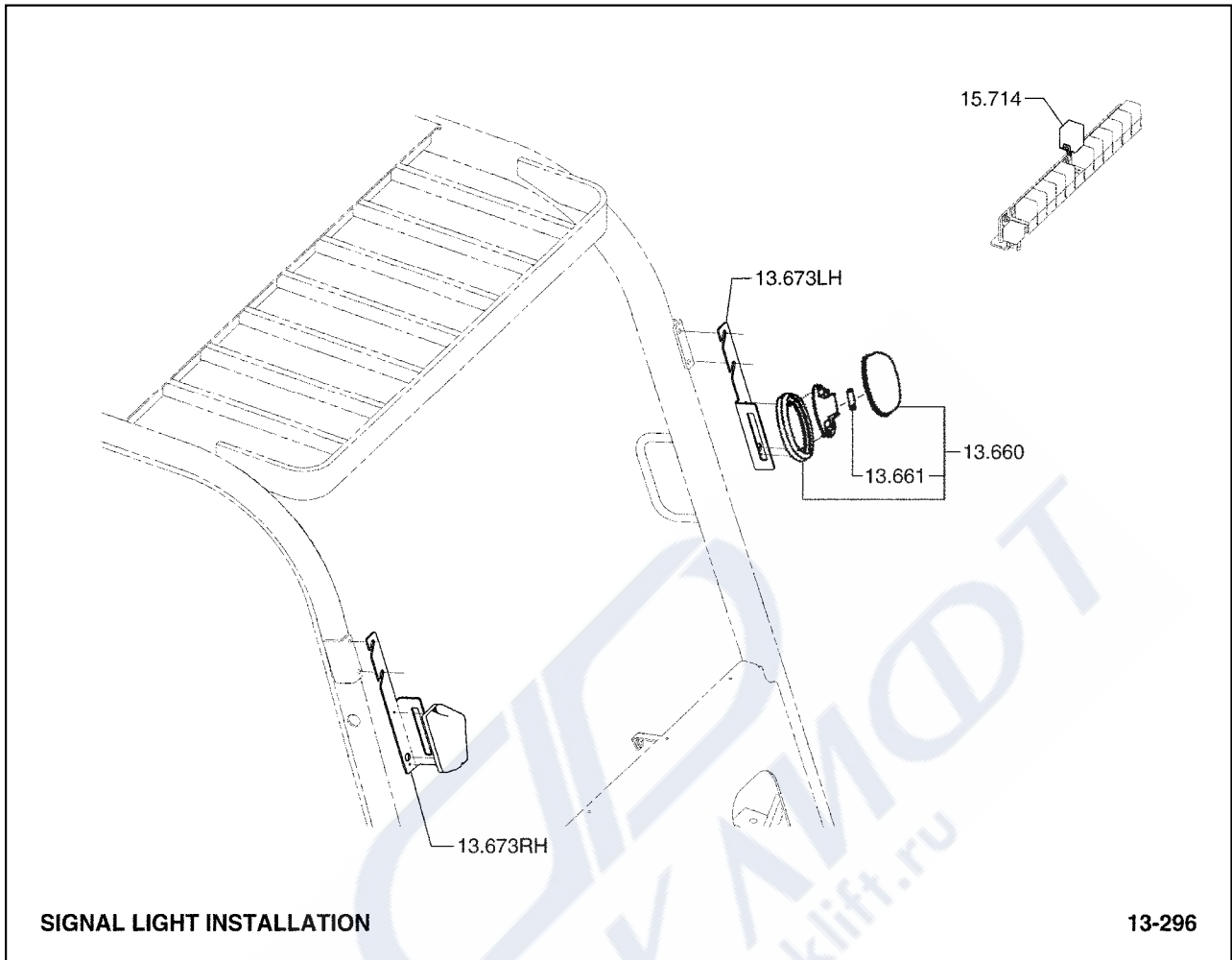
**KEY SWITCH INSTALLATION**

**13-292**

- |        |                                  |
|--------|----------------------------------|
| 13.047 | SWITCH, CIRCUIT LOCKING<br>스위치   |
| 60.260 | KEY, CIRCUIT LOCKING SWITCH<br>키 |



13.270	HEADLAMP, ADJUSTABLE 헤드램프
13.299	GUARD, HEADLIGHT 가드
15.436	HARNESS, RH HEADLAMP WIRING 하네스
15.437	HARNESS, HEADLAMP WIRING 하네스
60.324	BULB, HEADLAMP 전구
95.299	FASTENER, HEADLAMP GUARD 패스너



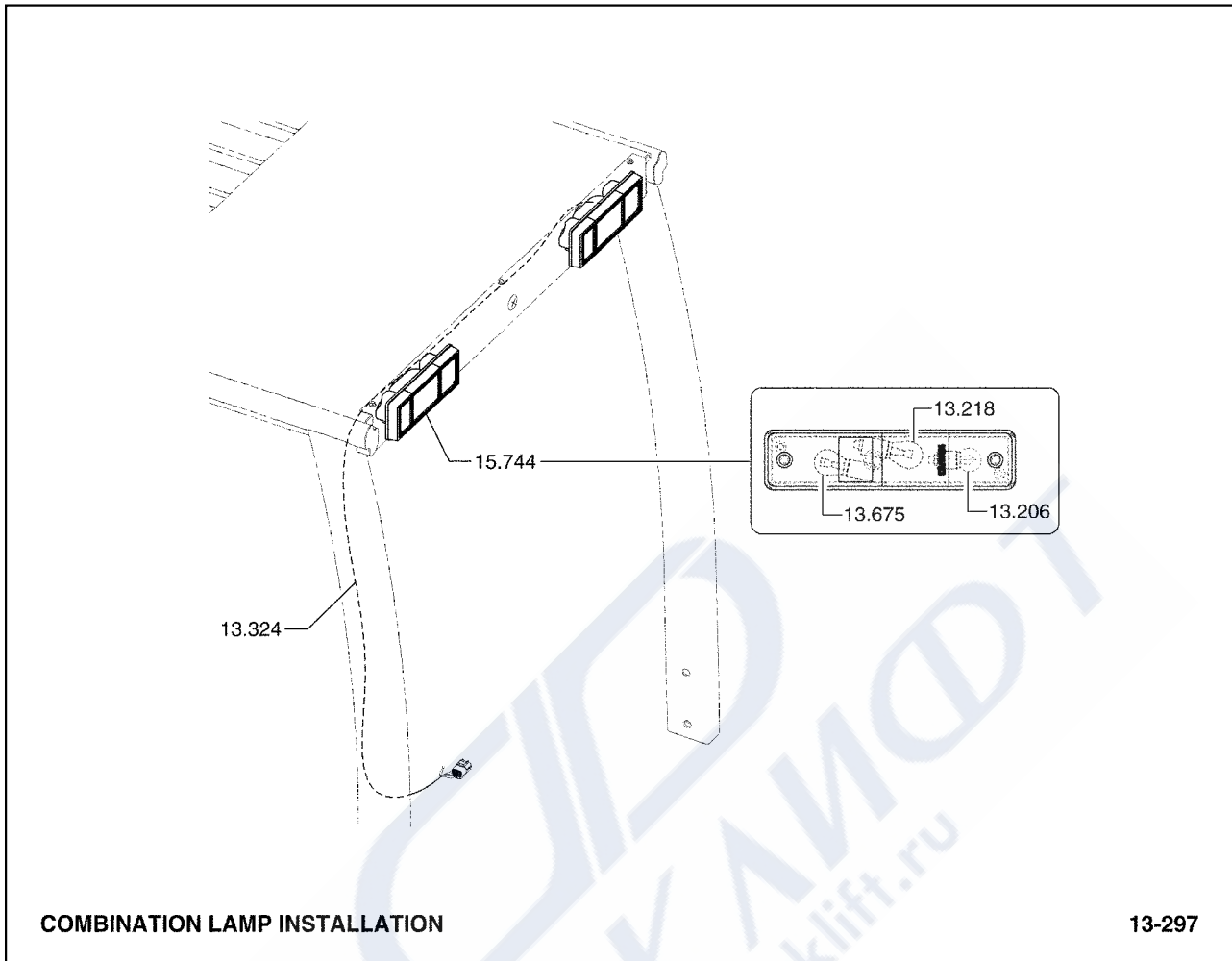
13.660 LIGHT, TURN SIGNAL  
라이트

13.661 BULB, TURN SIGNAL LIGHT  
전구

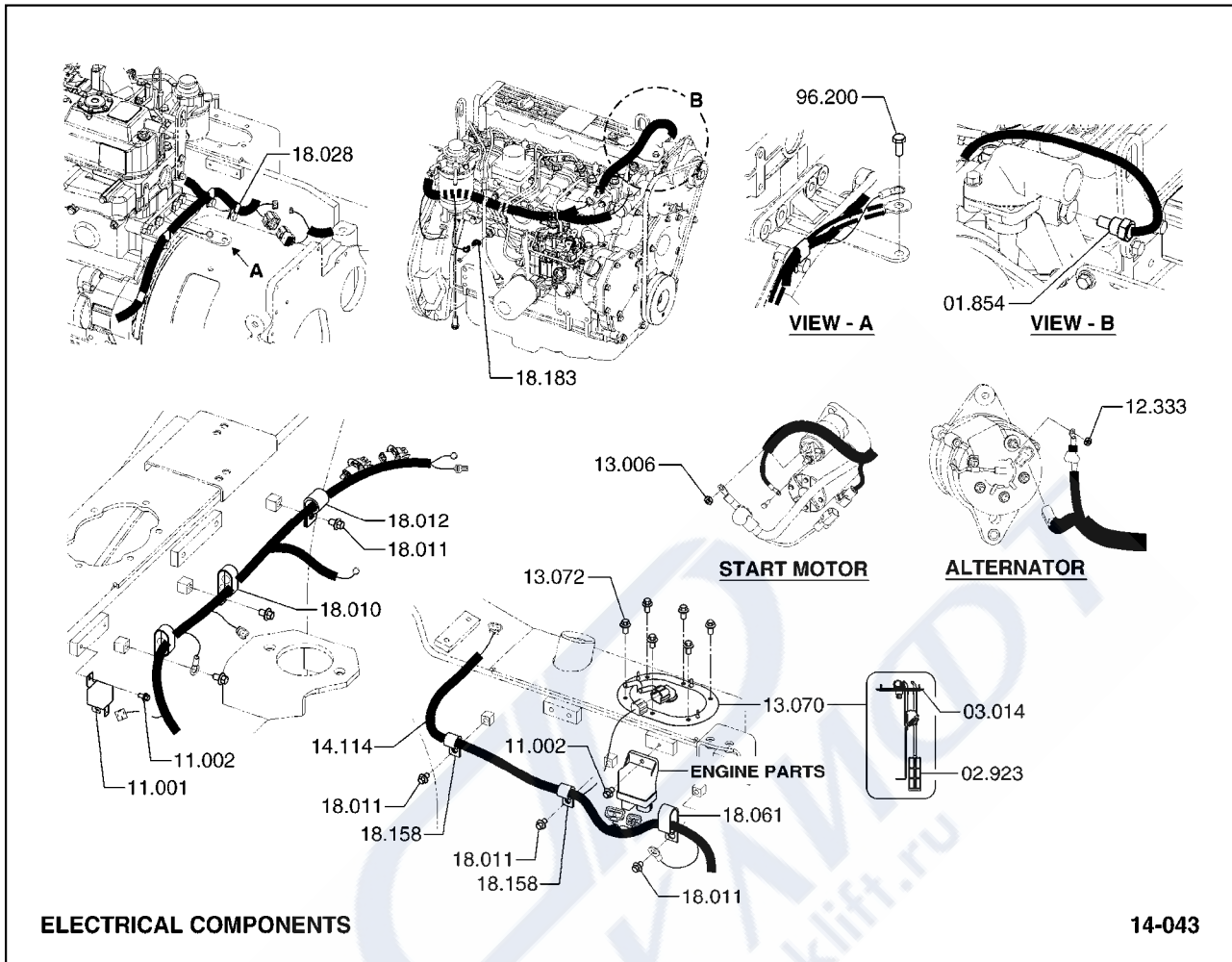
13.673 BRACKET, TURN LIGHT  
브라켓

15.714 FLASHER, UNIT  
플래셔





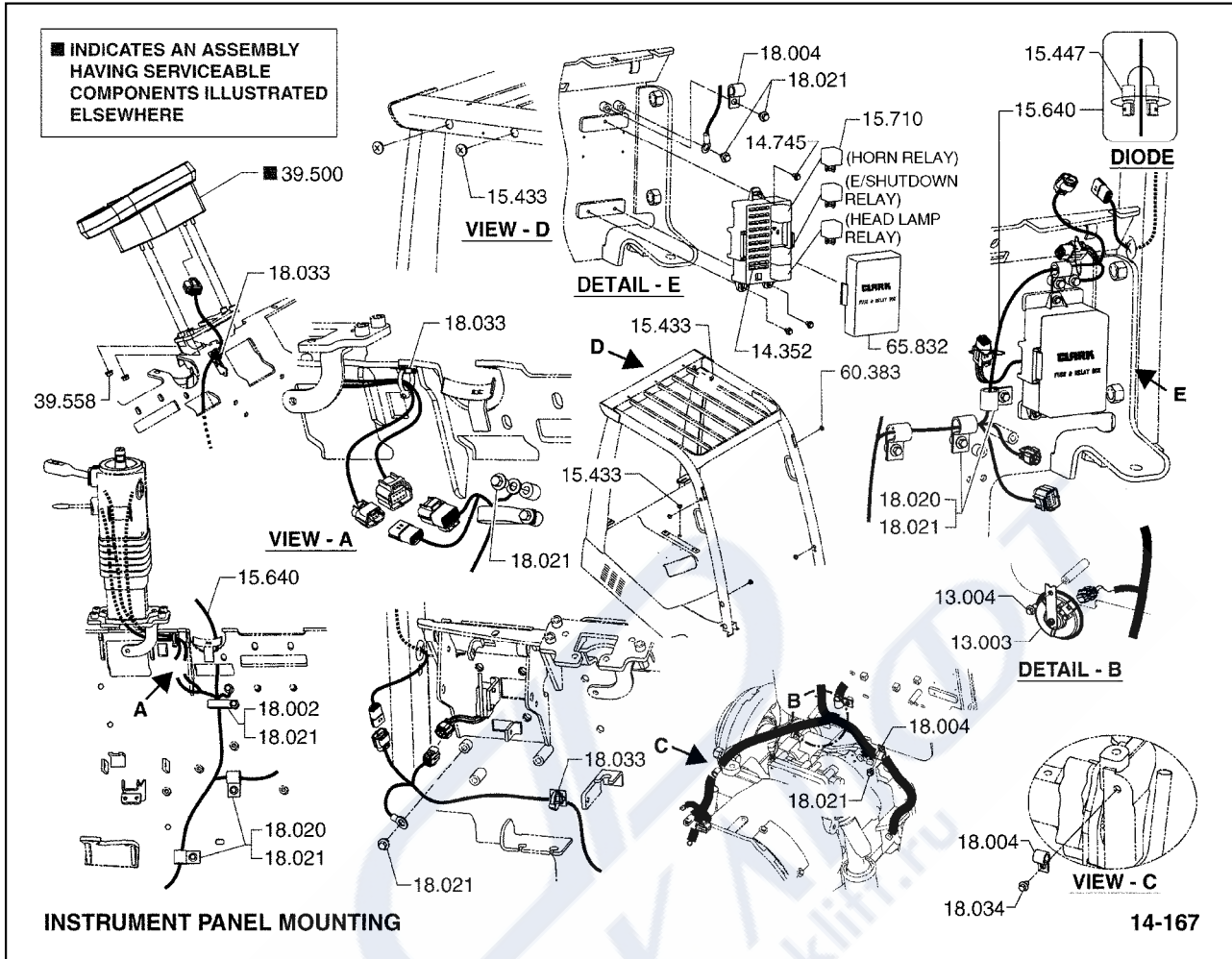
- |        |  |
|--------|--|
| 13.206 | BULB, BACK-UP LAMP<br>전구                     |
| 13.218 | BULB, STOP & TAIL LAMP<br>전구                 |
| 13.324 | HARNES, REAR WORK LAMP<br>하네스                |
| 13.675 | BULB, TURN LIGHT<br>전구                       |
| 15.744 | LAMP ASSEMBLY, COMBINATION STOP & TAIL<br>램프 |



- |        |   |
|--------|---|
| 14.114 | HARNESS, MACHINE WIRING<br>하네스          |
| 14.352 | FUSE, CONTROL CIRCUIT<br>퓨즈             |
| 15.440 | SHIELD, WIRING HARNESS PROTECTION<br>실드 |
| 15.447 | DIODE, HARNESS<br>다이오드                  |
| 15.640 | WIRING HARNESS, MACHINE COWL<br>와이어하네스  |
| 15.716 | BRACKET, RELAY MOUNTING<br>브라켓          |
| 18.000 | CLIP, WIRING HARNESS<br>클립              |
| 18.001 | FASTENER, WIRING HARNESS CLIP<br>패스너    |
| 18.002 | CLIP, WIRING HARNESS<br>클립              |

---

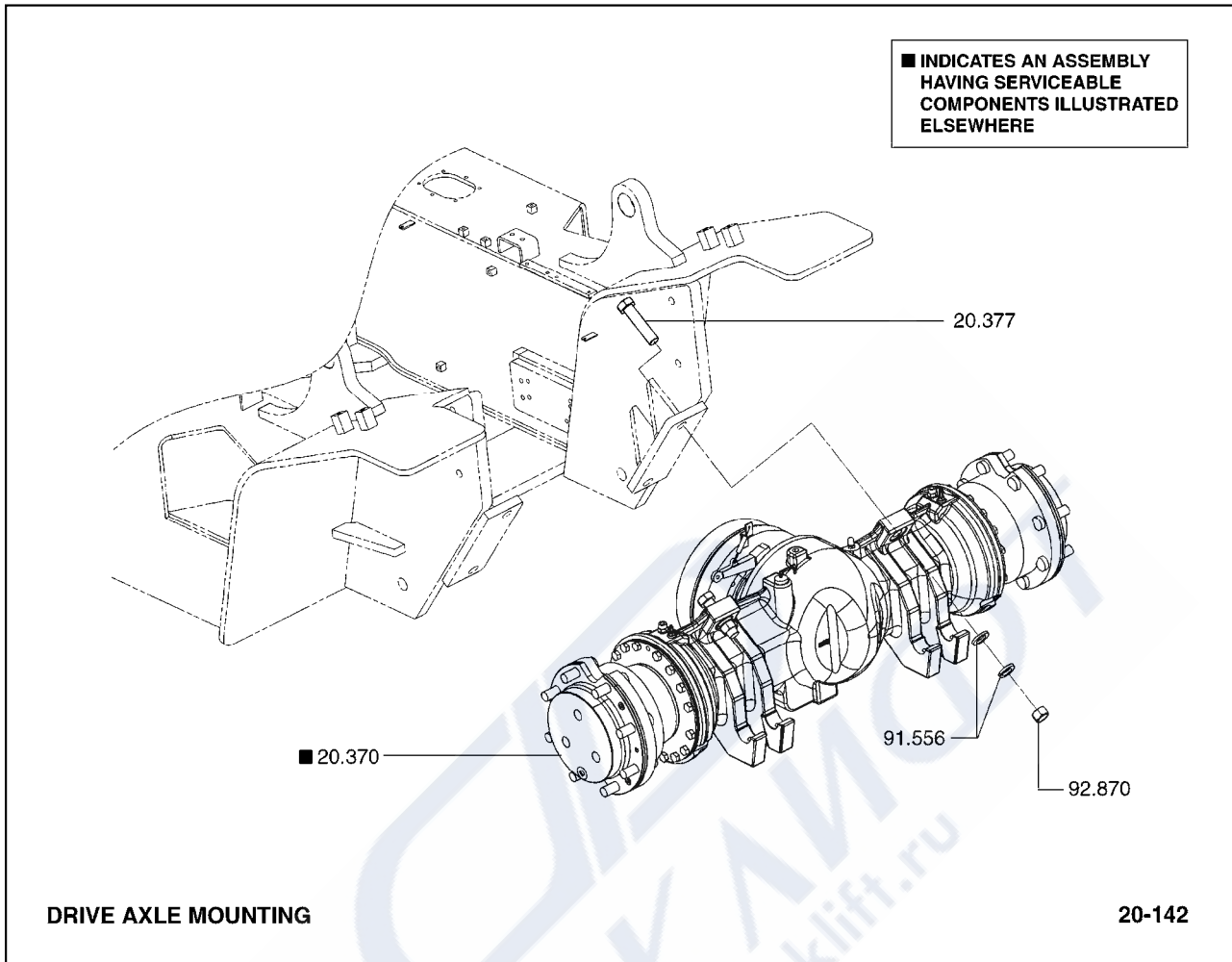
18.020	CLIP, HARNESS 클립
65.289	BODY, FUSE BOX 바디
65.832	COVER, FUSE BOX 커버
95.009	FASTENER, FUSE BOX MOUNTING 패스너
95.396	FASTENER, WIRING HARNESS PROTECTION SHIELD 패스너
96.200	FASTENER, WIRING HARNESS GROUND 패스너
96.840	FASTENER, RELAY MOUNTING BRACKET 패스너



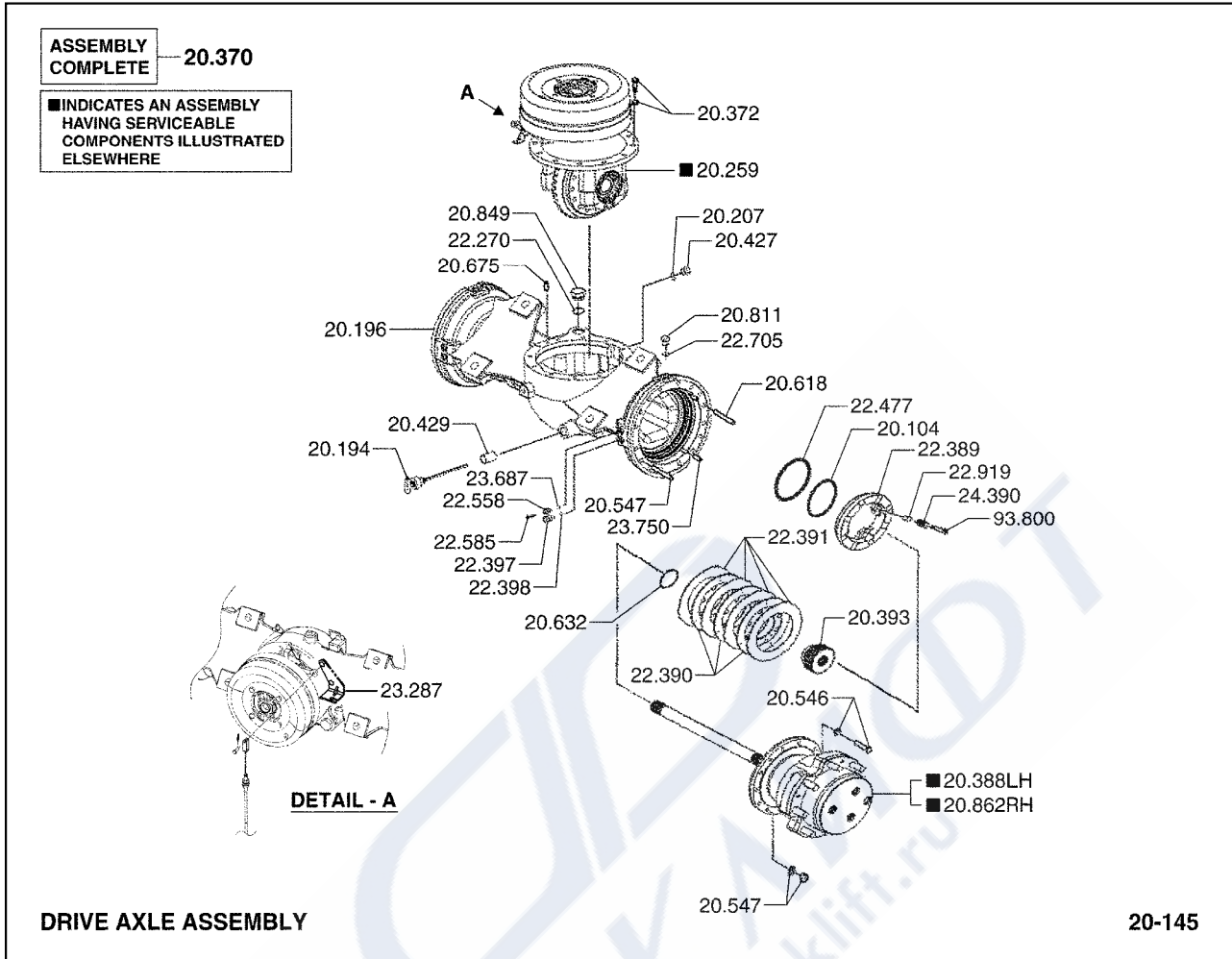
- 03.947 COVER, FUEL TANK  
커버
- 03.948 GASKET, FUEL TANK COVER  
가스켓
- 03.949 FASTENER, FUEL TANK COVER  
패스너
- 08.521 SENSOR, TRANSMISSION SPEED TURBINE  
센서
- 11.001 RELAY, STARTER  
릴레이
- 11.002 FASTENER, STARTER RELAY  
패스너
- 13.000 PANEL, INSTRUMENT CLUSTER  
판넬
- 13.003 HORN  
혼
- 13.004 FASTENER, HORN MOUNTING BRACKET  
패스너

---

13.047	SWITCH, CIRCUIT LOCKING 스위치
13.070	SENDER, FUEL GAUGE 센더
13.071	GASKET, FUEL GAUGE SENDER 가스켓
13.072	FASTENER, FUEL GAUGE SENDER 패스너
13.078	CLAMP, INSTRUMENT CLUSTER TO INST PANEL 클램프
13.079	FASTENER, INSTRUMENT CLUSTER TO INST PANEL 패스너
13.140	STRAINER, FUEL GAGE SENDER 스트레이너
15.433	GROMMET, CONTROL CIRCUIT WIRING HARNESS 그로멧
15.710	RELAY, ELECTRICAL 릴레이
60.260	KEY, CIRCUIT LOCKING SWITCH 키
60.383	GROMMET, CONTROL CIRCUIT WIRING HARNESS 그로멧
60.950	CONTROLLER, ELECTRIC SIGNAL 컨트롤러
97.139	FASTENER, ELECTRIC SIGNAL CONTROLLER 패스너
97.282	FASTENER, ENGINE PRE-HEATER CONTROLLER 패스너
97.290	FASTENER, ENGINE PRE-HEATER RELAY 패스너



20.370	AXLE ASSEMBLY, DRIVE 드라이브액슬
20.377	FASTENER, DRIVE AXLE TO FRAME 패스너
91.556	LOCKWASHER, DRIVE AXLE END 로크와셔
92.870	NUT, DRIVE AXLE MOUNTING FASTENER 너트

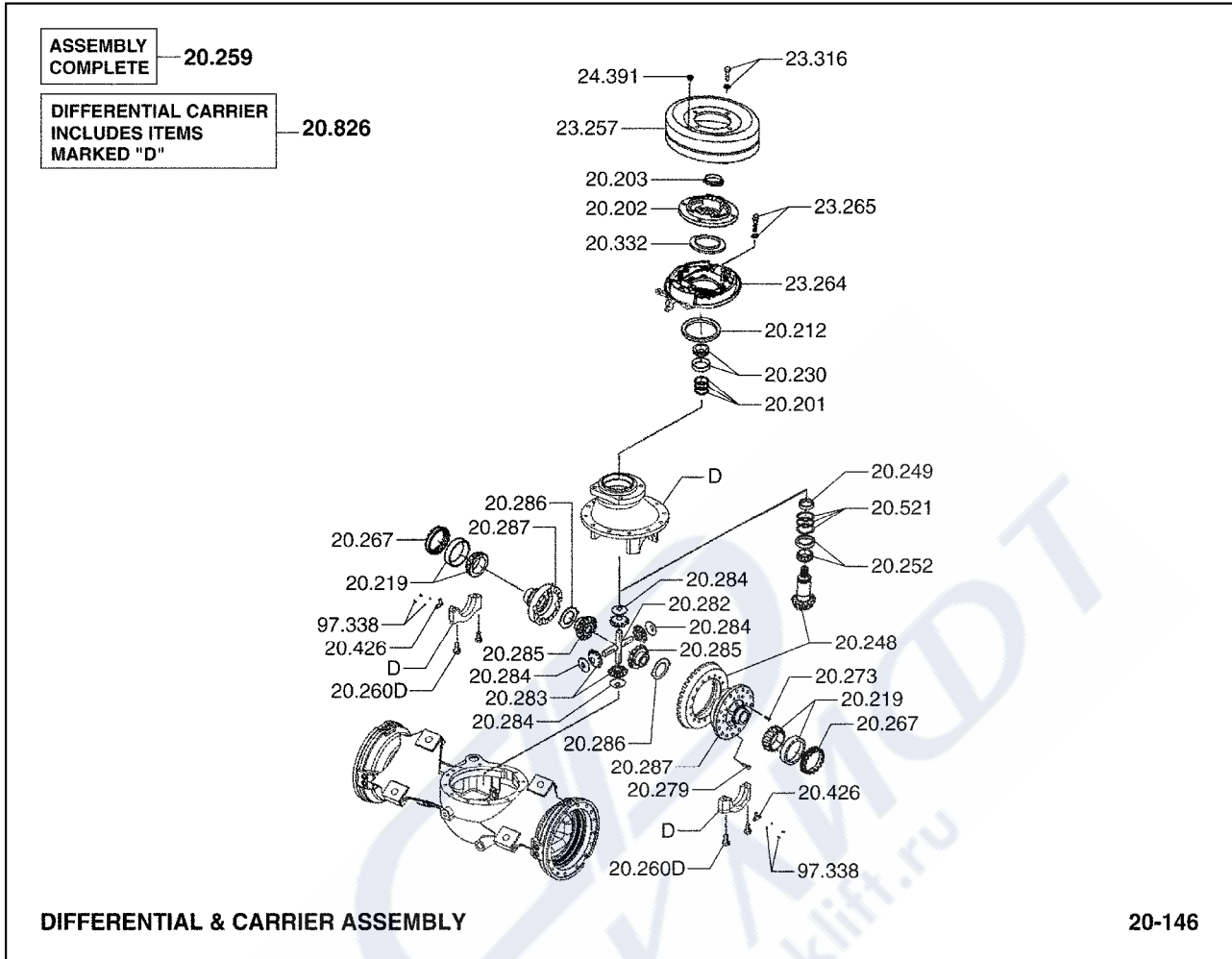


20.104 RING, RETAINER AXLE END 링	20.675 DOWEL PIN, DRIVE AXLE END HOUSING 다웰핀
20.194 DIPSTICK, DRIVE AXLE 딤스틱	20.811 PLUG, DRIVE AXLE HOUSING 플러그
20.196 HOUSING ASSEMBLY, DRIVE AXLE 하우징	20.849 PLUG, DRIVE AXLE HOUSING 플러그
20.207 SEAL, DIFFERENTIAL & AXLE HOUSING DRAIN PLUG 씰	20.862 HOUSING, DRIVE AXLE (RH) 하우징
20.259 CARRIER & CAP ASSEMBLY, DIFFERENTIAL 캐리어&캡	22.270 SEAL, DRIVE AXLE END HOUSING 씰
20.370 AXLE ASSEMBLY, DRIVE 드라이브액슬	22.389 PISTON, BRAKE DISC 피스톤
20.372 FASTENER, AXLE HOUSING 패스너	22.390 DISC, BRAKE - INNER 디스크
20.388 HOUSING, DRIVE AXLE (LH) 하우징	22.391 DISC, BRAKE - OUTER 디스크
20.393 SPLINE, BRAKE DISC 스플라인	22.397 PLUG, BRAKE DISC HOUSING 플러그
20.427 PLUG, DIFFERENTIAL & AXLE HOUSING DRAIN 플러그	22.398 SEAL, BRAKE DISC HOUSING PLUG 씰
20.429 TUBE, DRIVE AXLE OIL DIPSTICK 튜브	22.477 RING, BRAKE DRUM MOUNTING SPACER 링
20.546 FASTENER, DRIVE AXLE END 패스너	22.558 BLEEDER, BRAKE LINES 블러더
20.547 FASTENER, DRIVE AXLE END 패스너	22.585 ADAPTOR, BRAKE LINE BLEEDER 어댑터
20.618 FASTENER, DRIVE AXLE SPINDLE 패스너	22.705 SEAL, DRIVE AXLE END HOUSING 씰
20.632 RETAINER, DRIVE AXLE INTERNAL GEAR HUB 리테이너	22.919 PLATE, BRAKE DISC PISTON 플레이트

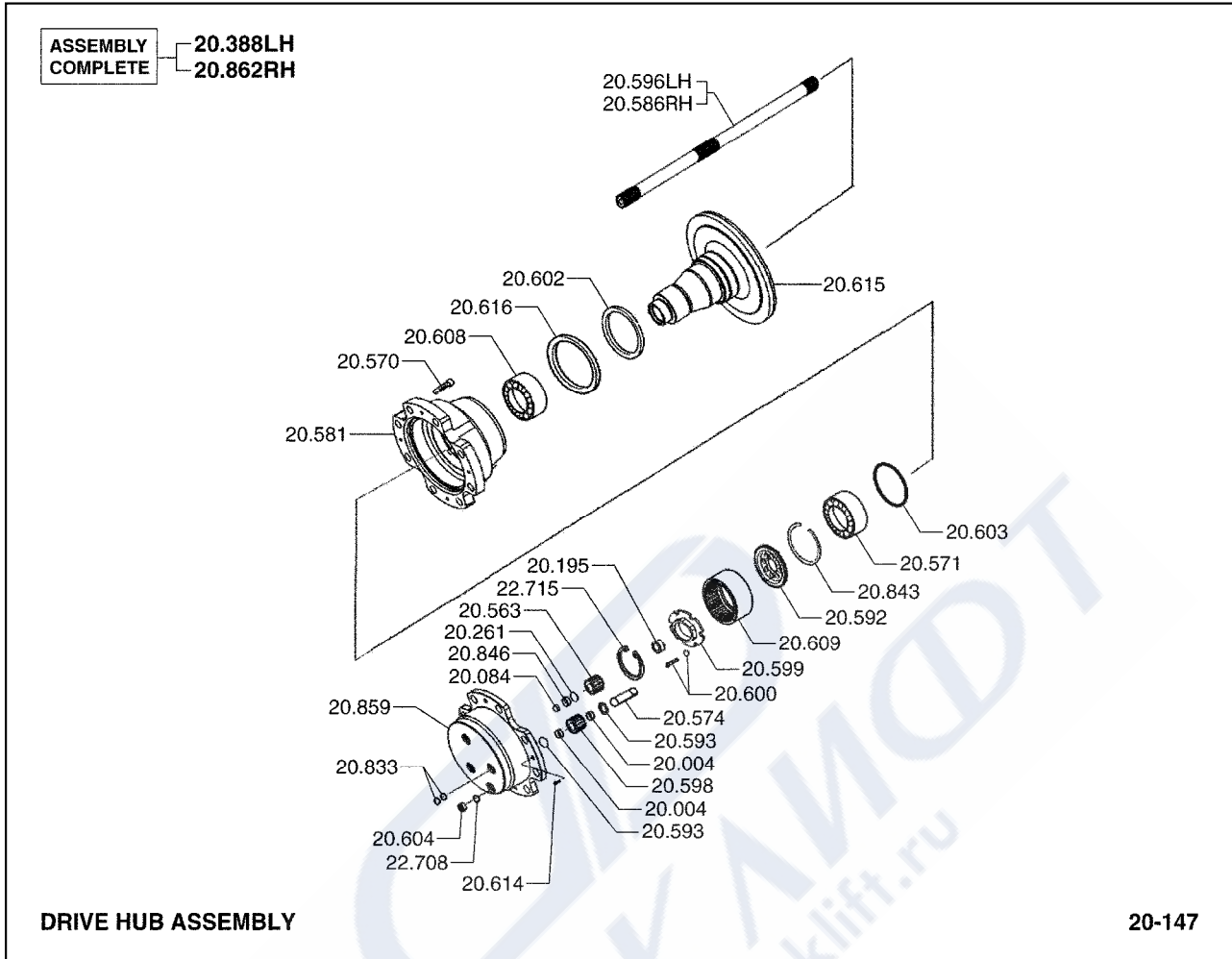
23.287	BRACKET, PARKING BRAKE CABLE 브라켓
23.687	SEAL, AXLE ADAPTOR BLEEDER OPENING COVER 씰
23.750	PIN, BRAKE ACTUATING LEVER PIVOT 핀
24.390	BUSHING, BRAKE DISC PISTON 부싱
93.800	FASTENER, BRAKE DISC HOUSING 패스너







20.201	SHIM, DIFF BRG CARRIER TO AXLE HOUSING 심	20.283	GEAR, DIFFERENTIAL SIDE PINION 기어
20.202	FLANGE, DIFFERENTIAL PINION COMPANION 플랜지	20.284	WASHER, DIFF SIDE PINION GEAR THRUST 와셔
20.203	NUT, DIFFERENTIAL PINION COMPANION FLANGE 너트	20.285	GEAR, DIFFERENTIAL SIDE 기어
20.212	SEAL, DIFFERENTIAL PINION OIL 씰	20.286	WASHER, DIFFERENTIAL SIDE GEAR THRUST 와셔
20.219	BEARING, DIFFERENTIAL 베어링	20.287	CASE & GEAR ASSEMBLY, DIFFERENTIAL 케이스& 기어
20.230	BEARING ASSEMBLY, DIFF PINION OUTER 베어링	20.332	COVER, DRIVE AXLE CARRIER 커버
20.248	RING GEAR & PINION SET, DIFFERENTIAL 링	20.426	PLATE, DRIVE AXLE END HOUSING 플레이트
20.249	RING, DIFFERENTIAL PINION INNER BRG LOC 링	20.521	SHIM, DRIVE AXLE SHAFT GEAR 심
20.252	BEARING, DIFFERENTIAL PINION INNER 베어링	20.826	CARRIER, DRIVE AXLE HOUSING 캐리어
20.259	CARRIER & CAP ASSEMBLY, DIFFERENTIAL 캐리어& 캡	23.257	DRUM, PARKING BRAKE 드럼
20.260	FASTENER, DIFFERENTIAL CARRIER CAP 패스너	23.264	BRAKE ASSEMBLY, PARKING 브레이크
20.267	NUT, DIFFERENTIAL BEARING ADJUSTING 너트	23.265	FASTENER, PARKING BRAKE 패스너
20.273	FASTENER, DIFFERENTIAL CASE 패스너	23.316	FASTENER, BRAKE DRUM 패스너
20.279	FASTENER, DIFFERENTIAL CASE TO RING GEAR 패스너	24.391	PLUG, BRAKE DRUM 플러그
20.282	SPIDER, DIFFERENTIAL PINION 스파이더	97.338	FASTENER, DRIVE AXLE END HOUSING PLATE 패스너



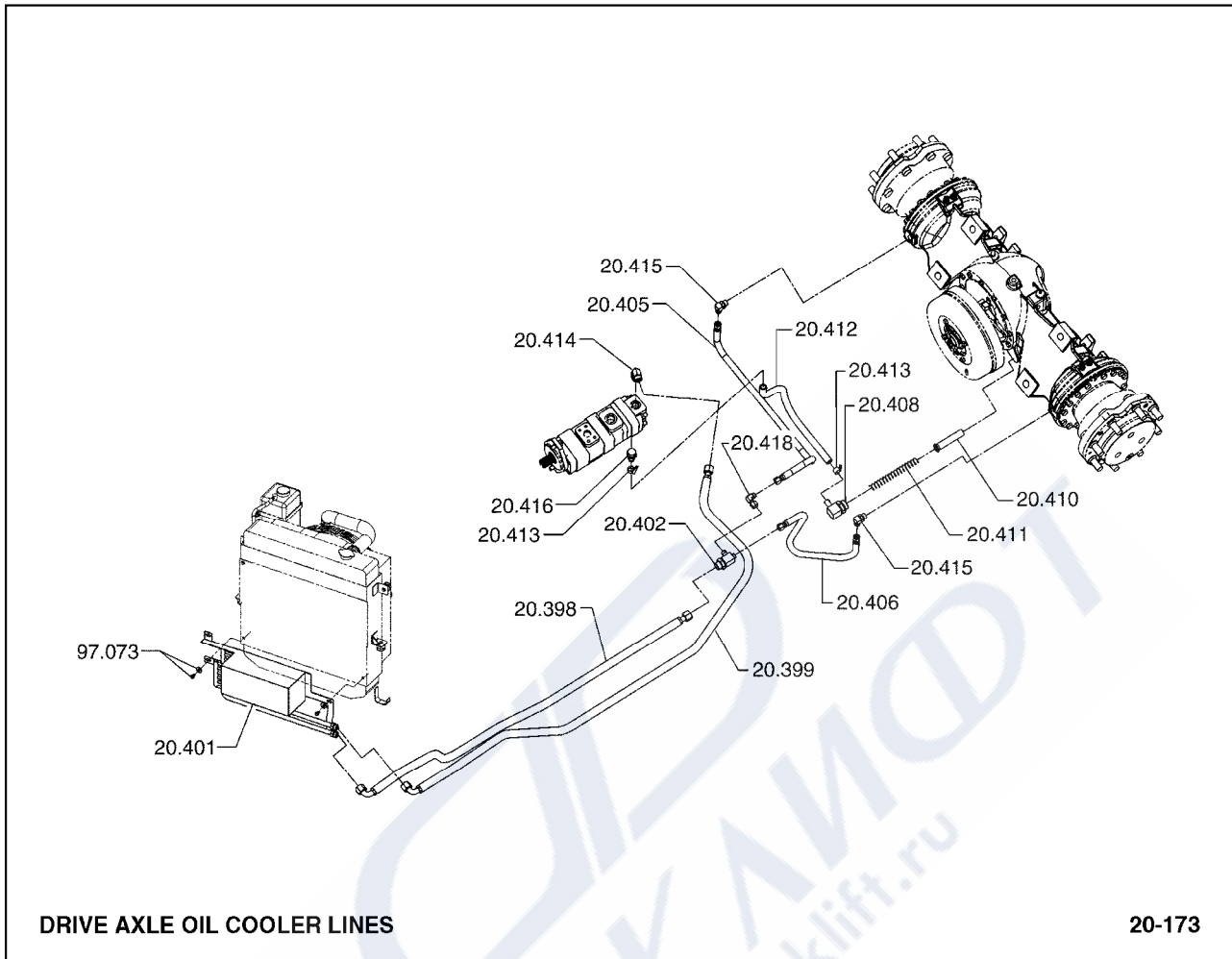
DRIVE HUB ASSEMBLY

20-147

20.004	BEARING, DRIVE HOUSING SPINDLE 베어링	20.599	NUT, DRIVE AXLE HUB BEARING OUTER RETAINING 너트
20.084	STOP, DRIVE AXLE 스톱	20.600	LOCK, DRIVE AXLE HUB BEARING RETAINING NUT 로크
20.195	BUSHING, DRIVE END HOUSING 부싱	20.602	SEAL, DRIVE AXLE HUB INNER OIL 씰
20.261	RETAINER, DIFF PINION OUTER BEARING 리테이너	20.603	SEAL, DRIVE AXLE HUB OUTER OIL 씰
20.388	HOUSING, DRIVE AXLE (LH) 하우징	20.604	PLUG, DRIVE AXLE HUB DRAIN 플러그
20.563	GEAR, DRIVE AXLE SUN 기어	20.608	CONE, DRIVE AXLE HUB INNER BEARING 콘
20.570	FASTENER, DRIVE WHEEL MOUNTING 패스너	20.609	HUB, DRIVE AXLE INTERNAL GEAR 허브
20.571	CONE, DRIVE AXLE HUB OUTER BEARING 콘	20.614	FASTENER, DRIVE WHEEL BRAKE DRUM 패스너
20.574	SHAFT, DRIVE AXLE PLANET PINION 샤프트	20.615	SPINDLE, DRIVE AXLE END 스핀들
20.581	HUB ASSEMBLY, DRIVE AXLE 허브	20.616	SEAL, DRIVE AXLE HUB 씰
20.586	SHAFT, DRIVE AXLE 샤프트	20.833	SEAL, DRIVE AXLE RING GEAR SHAFT BEARING HOUSING 씰
20.592	PLANET, DRIVE AXLE 플래닛	20.843	LOCATOR, DRIVE AXLE OUTPUT GEAR BEARING 로케이터
20.593	WASHER, PLANET PINION GEAR THRUST 와셔	20.846	BEARING, DRIVE AXLE PLANET PINION GEAR 베어링
20.596	SHAFT, DRIVE AXLE (LH) 샤프트	20.859	HOUSING, DRIVE AXLE 하우징
20.598	GEAR, DRIVE AXLE PLANET PINION 기어	20.862	HOUSING, DRIVE AXLE (RH) 하우징

- 22.708 SEAL, DRIVE AXLE HOUSING  
씰
- 22.715 RETAINER, DRIVE AXLE ROTOR HOUSING  
리테이너





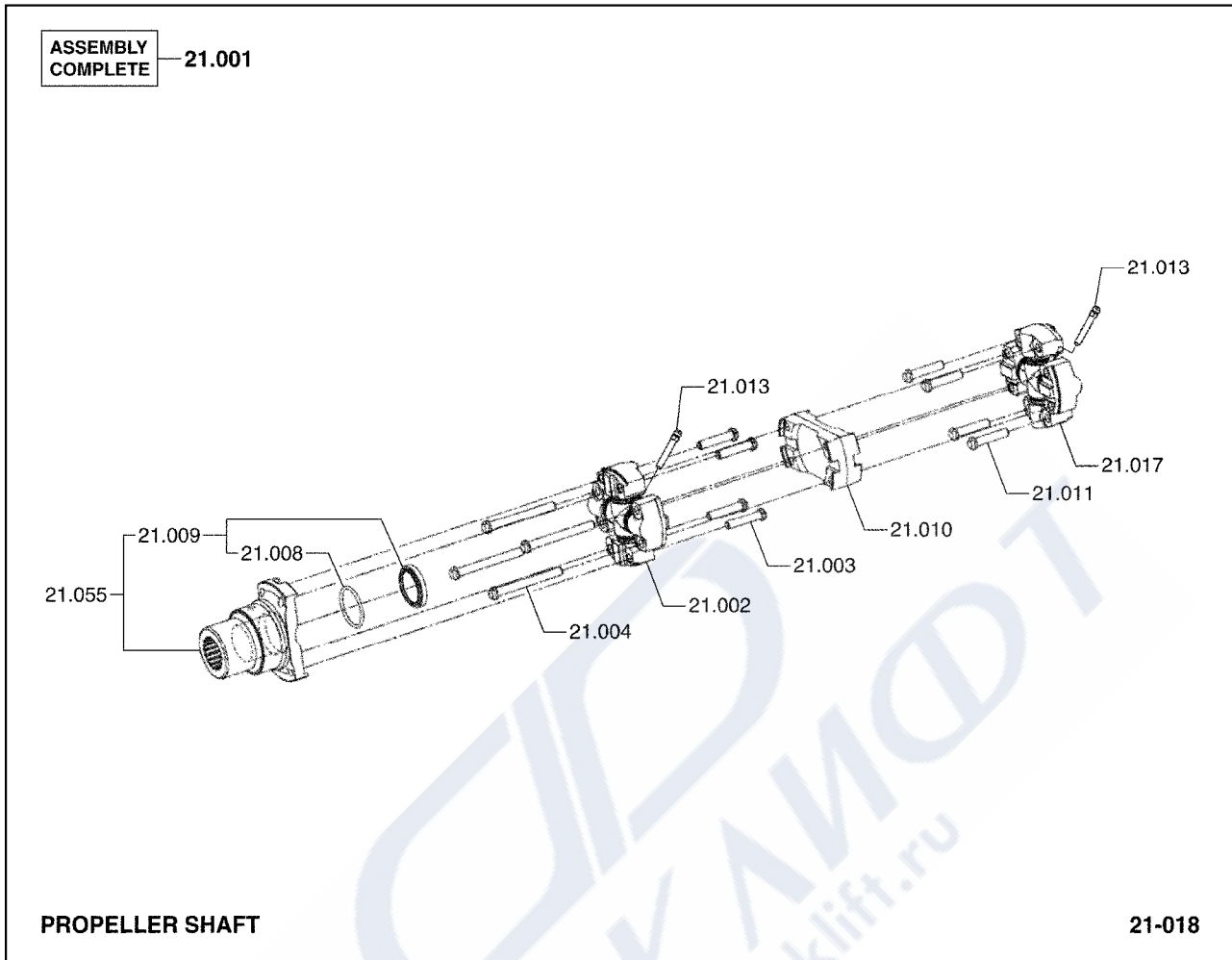
DRIVE AXLE OIL COOLER LINES

20-173

- |        |   |
|--------|---|
| 20.398 | LINE, DRIVE AXLE OIL COOLER<br>라인         |
| 20.399 | LINE, DRIVE AXLE OIL COOLER<br>라인         |
| 20.401 | COOLER, DRIVE AXLE OIL<br>쿨러              |
| 20.402 | TEE, DRIVE AXLE OIL COOLER LINE<br>티      |
| 20.405 | LINE, DRIVE AXLE OIL<br>라인                |
| 20.406 | LINE, DRIVE AXLE OIL<br>라인                |
| 20.408 | PLUG, DRIVE AXLE OIL SUCTION<br>플러그       |
| 20.410 | STRAINER, DRIVE AXLE OIL SUCTION<br>스트레이너 |
| 20.411 | SPRING, DRIVE AXLE OIL SUCTION<br>스프링     |

20.412	LINE, DRIVE AXLE OIL SUCTION 라인
20.413	CLAMP, DRIVE AXLE OIL SUCTION LINE 클램프
20.414	FITTING, DRIVE AXLE OIL COOLER LINE 피팅
20.415	FITTING, DRIVE AXLE OIL LINE 피팅
20.416	FITTING, DRIVE AXLE OIL SUCTION LINE 피팅
20.418	FITTING, DRIVE AXLE OIL LINE 피팅
97.073	FASTENER, DRIVE AXLE COOLER MOUNTING 패스너

ООО «ФОРКЛИФТ»  
www.forklift.ru



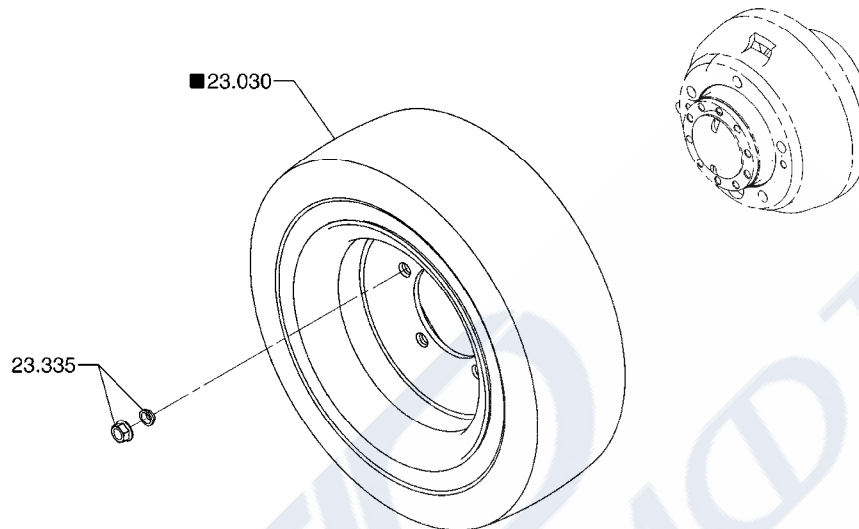
- 21.001 SHAFT ASSEMBLY, TRANSMISSION TO AXLE PROPELLER  
샤프트
- 21.002 REPAIR KIT, PROP SHAFT CENTER CROSS  
리페어키트
- 21.003 FASTENER, CROSS ASSEMBLY TO SLIP YOKE  
패스너
- 21.004 FASTENER, PROPELLER SHAFT  
패스너
- 21.008 SEAL, PROPELLER SHAFT SLIP YOKE FELT  
씰
- 21.009 CAP, PROPELLER SHAFT SLIP YOKE DUST  
캡
- 21.010 YOKE & SPLINE ASSEMBLY, PROPELLER SHAFT  
요크& 스플라인
- 21.011 FASTENER, PROPELLER SHAFT  
패스너
- 21.013 FITTING-LUB, CROSS ASSEMBLY  
피팅

21-018 (1)

- 21.017 REPAIR KIT, PROPELLER SHAFT CENTER CROSS  
리페어키트
- 21.055 YOKE CAP & WASHER ASSEMBLY, PROP SHAFT SLIP  
요크캡& 와셔



■ INDICATES AN ASSEMBLY  
HAVING SERVICEABLE  
COMPONENTS ILLUSTRATED  
ELSEWHERE



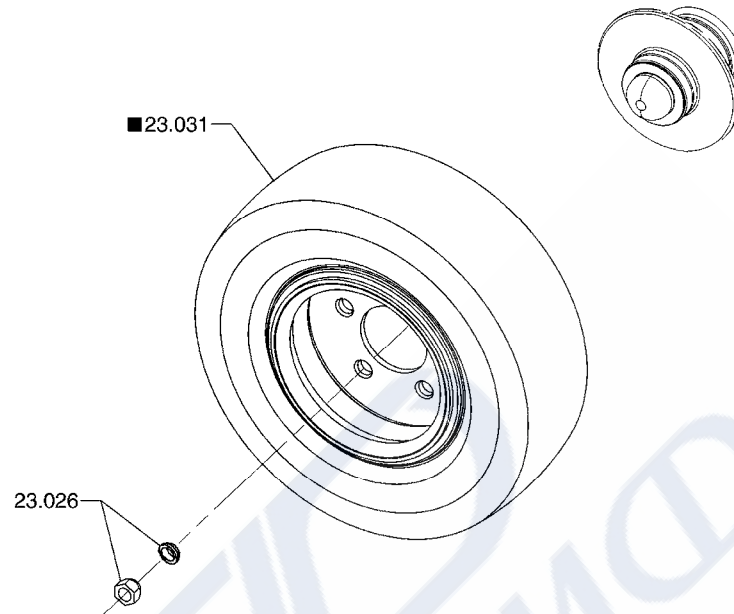
DRIVE WHEEL & TIRE MOUNTING

22-013

- |        |   |
|--------|---|
| 23.030 | DRIVE WHEEL AND TIRE ASSEMBLY<br>드라이브휠& 타이어 |
| 23.335 | FASTENER, DRIVE WHEEL<br>패스너                |



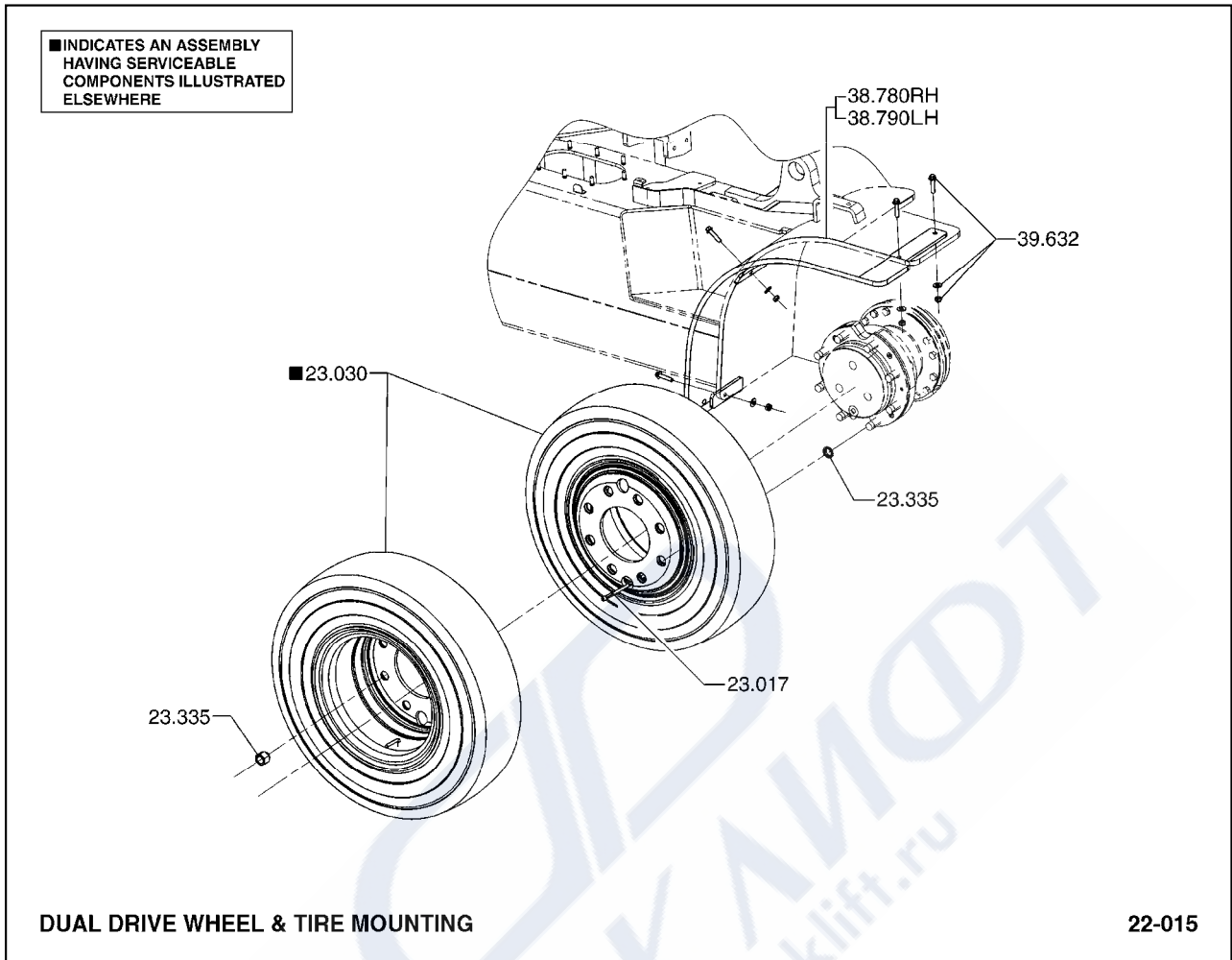
■ INDICATES AN ASSEMBLY  
HAVING SERVICEABLE  
COMPONENTS ILLUSTRATED  
ELSEWHERE



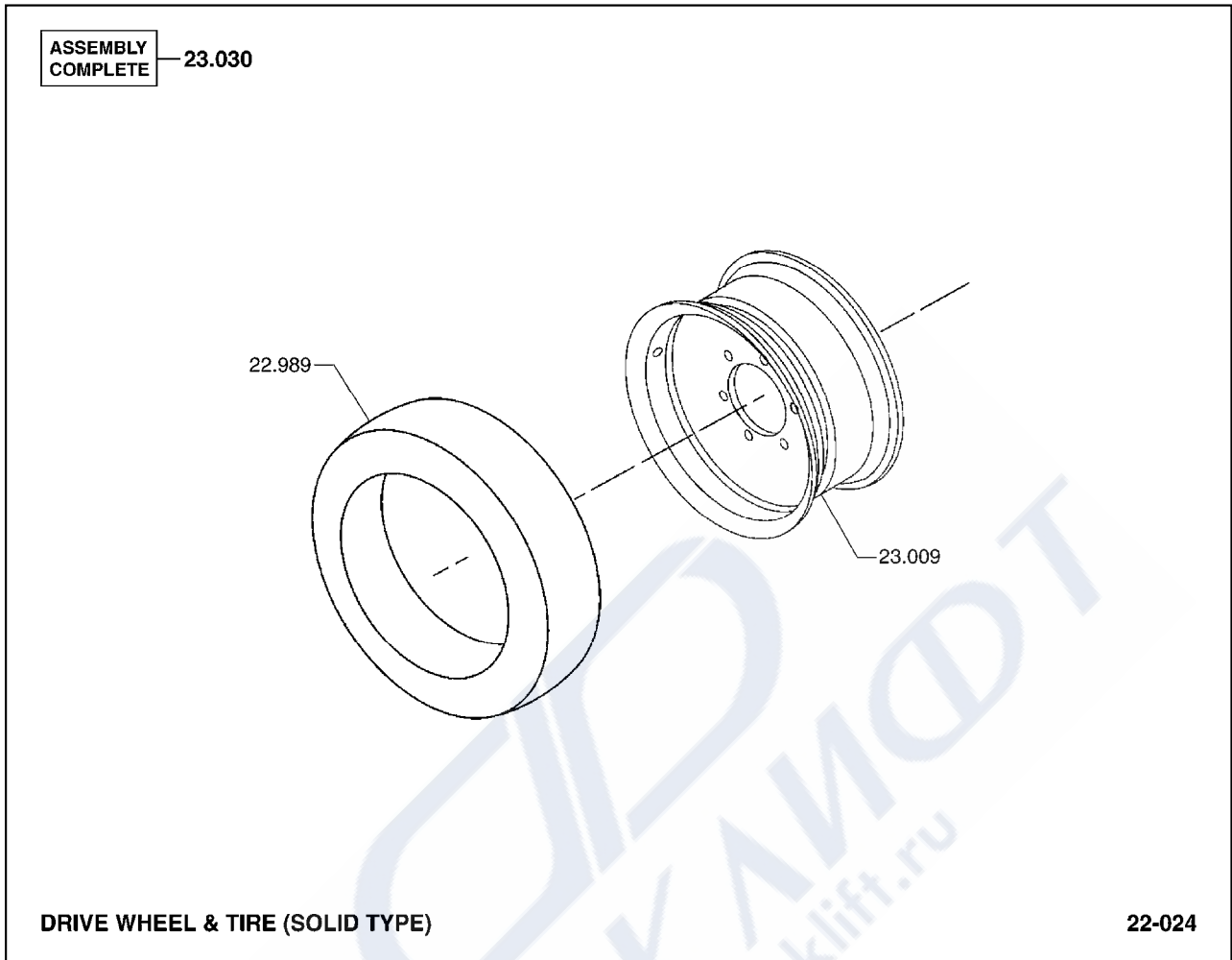
STEER WHEEL & TIRE MOUNTING

22-014

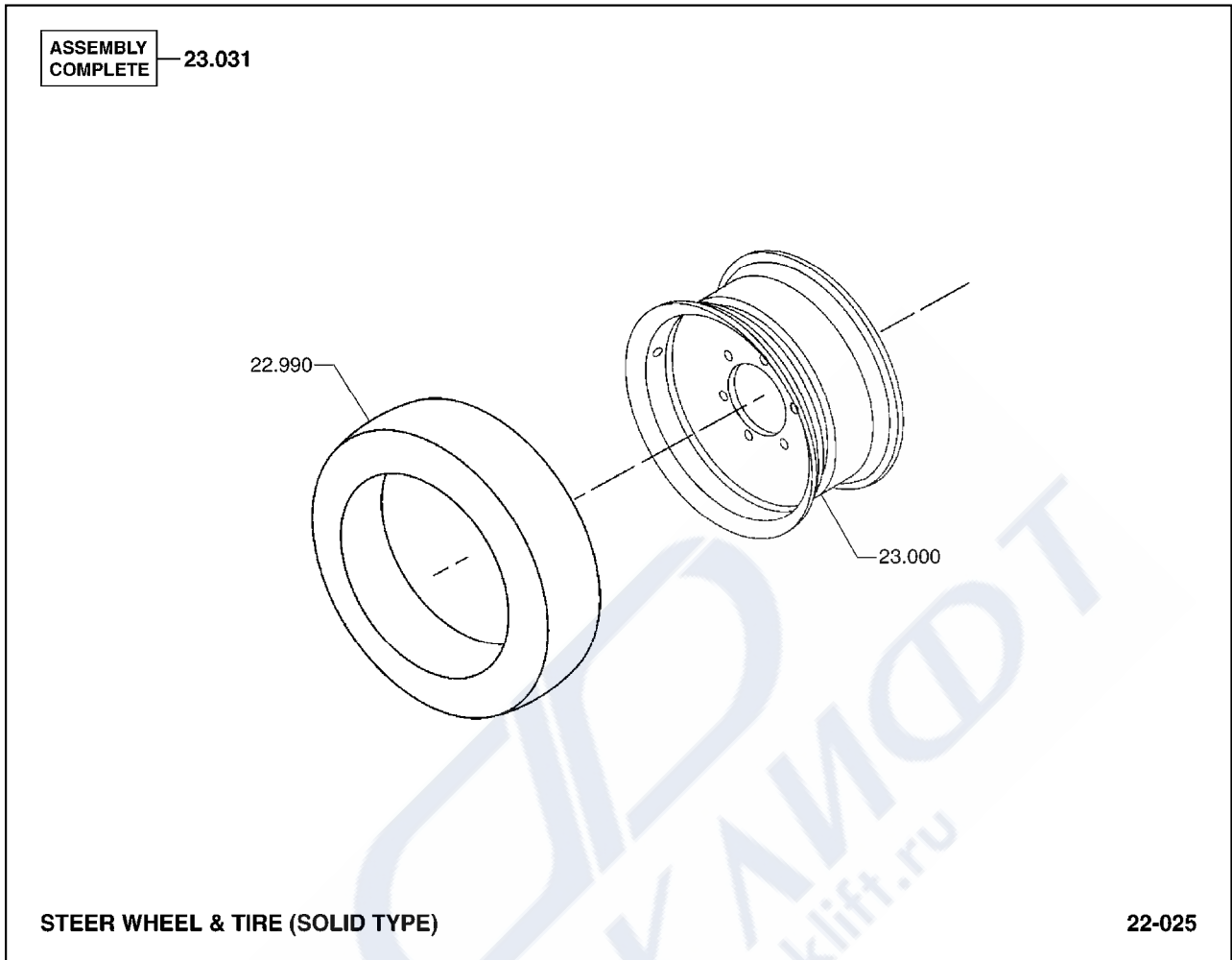
- |        |  |
|--------|--|
| 23.026 | FASTENER, STEER WHEEL<br>패스너               |
| 23.031 | STEER WHEEL AND TIRE ASSEMBLY<br>스티어휠& 타이어 |



23.017	EXTENSION, DRIVE WHEEL VALVE 익스텐션
23.030	DRIVE WHEEL AND TIRE ASSEMBLY 드라이브휠& 타이어
23.335	FASTENER, DRIVE WHEEL 패스너
38.780	FENDER, RIGHT HAND FRONT 펜더
38.790	FENDER, LEFT HAND FRONT 펜더
39.632	FASTENER, FENDER SUPPORT 패스너

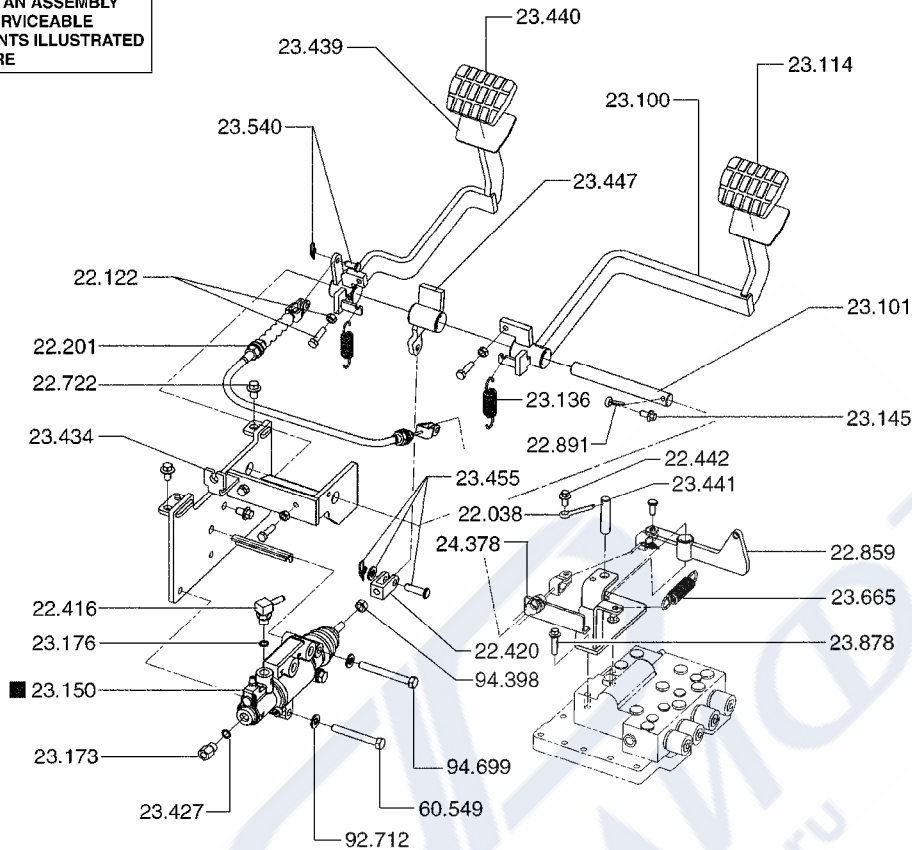


- |        |   |
|--------|---|
| 22.989 | TIRE ASSEMBLY, DRIVE<br>타이어                 |
| 23.009 | RIM ASSEMBLY, DRIVE WHEEL<br>립              |
| 23.030 | DRIVE WHEEL AND TIRE ASSEMBLY<br>드라이브휠& 타이어 |



22.990	TIRE ASSEMBLY, STEER 타이어
23.000	RIM ASSEMBLY, STEER WHEEL 립
23.031	STEER WHEEL AND TIRE ASSEMBLY 스티어휠 & 타이어

■ INDICATES AN ASSEMBLY HAVING SERVICEABLE COMPONENTS ILLUSTRATED ELSEWHERE



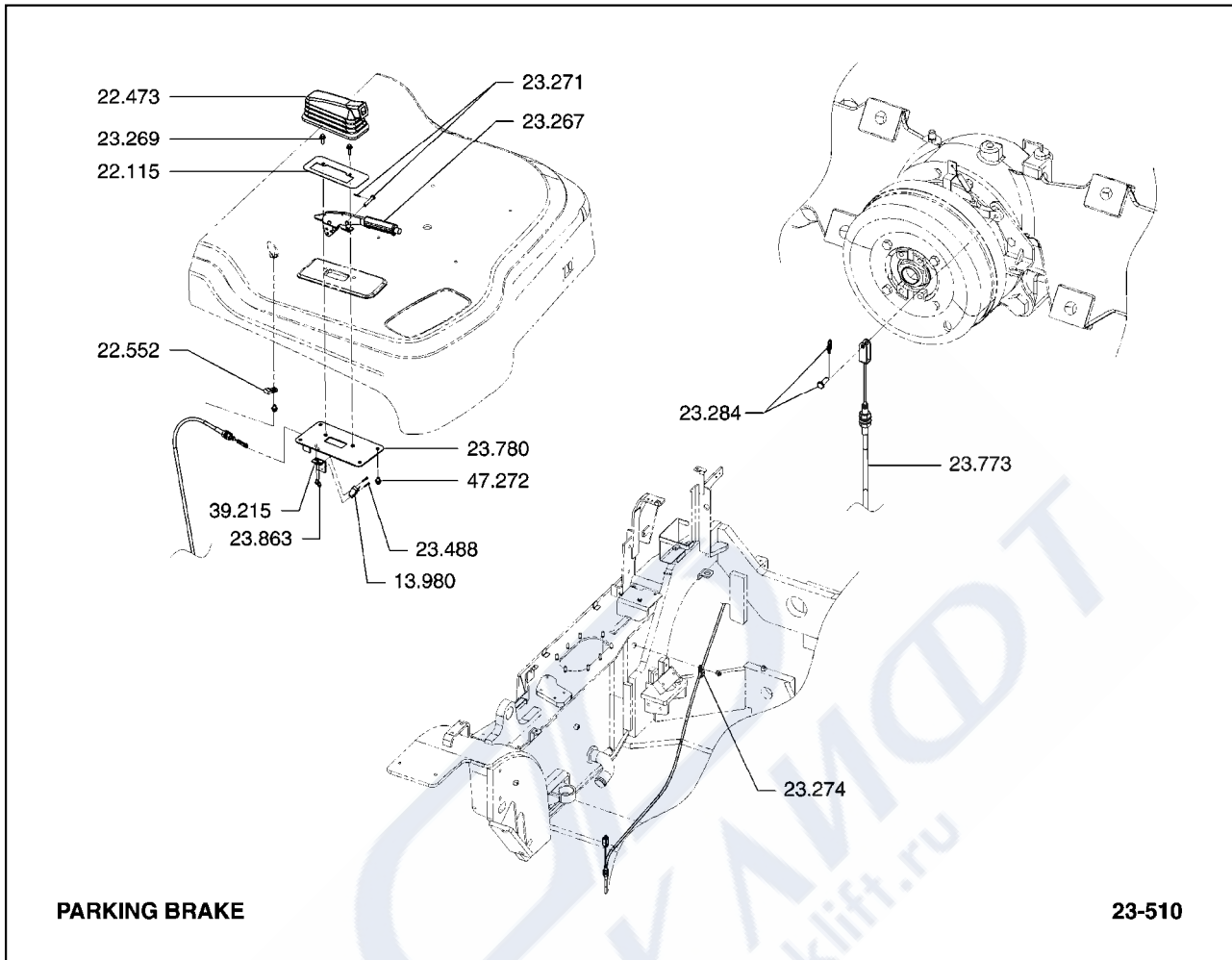
**BRAKE & INCHING LINES**

**23-491**

22.038	PIN, INCHING PEDAL LINKAGE 핀	23.150	CYLINDER ASSEMBLY, BRAKE MASTER COMPLETE 실린더
22.122	FASTENER, BRAKE PEDAL PIVOT RETAINER 패스너	23.173	FITTING, BRAKE MASTER CYLINDER OUTLET 피팅
22.201	CABLE, INCHING 케이블	23.176	GASKET, BRAKE MASTER CYLINDER OUTLET FTG BOLT 가스켓
22.416	FITTING, BRAKE MASTER CYLINDER INLET LINE 피팅	23.427	SEAL, MASTER CYLINDER OUTLET HOUSING 씰
22.420	CLEVIS, MASTER CYLINDER PUSH ROD 클레비스	23.434	BRACKET, BRAKE PEDAL PIVOT 브라켓
22.442	PAD, PARKING BRAKE PEDAL 패드	23.439	PEDAL, INCHING 페달
22.722	FASTENER, BRAKE MOUNTING PLATE 패스너	23.440	PAD & FASTENER, INCHING PEDAL 패드 & 패스너
22.859	ARM, BRAKE MASTER CYLINDER ACTUATING ROD 암	23.441	SHAFT, INCHING PEDAL 샤프트
22.891	PIN, BRAKE PEDAL ROD 핀	23.446	BUSHING, INCHING PEDAL 부싱
23.100	PEDAL, BRAKE 페달	23.447	LEVER, OUTBOARD INCHING 레버
23.101	SHAFT, BRAKE PEDAL 샤프트	23.455	FASTENER, INCHING LEVER ROD CLEVIS 패스너
23.105	BEARING, BRAKE PEDAL 베어링	23.540	FASTENER, BRAKE LINKAGE PIVOT ARM 패스너
23.114	PAD & FASTENER, BRAKE PEDAL 패드 & 패스너	23.665	SPRING, INCHING PEDAL RETURN 스프링
23.136	SPRING, BRAKE PEDAL RETURN 스프링	23.878	FASTENER, INCHING PEDAL PIVOT BRACKET 패스너
23.145	FASTENER, BRAKE PEDAL SHAFT 패스너	24.378	BRACKET, INCHING 브라켓

60.549	FASTENER, BRAKE VALVE 패스너
92.712	WASHER, BRAKE MASTER CYLINDER MOUNTING BRACKET F 와셔
94.398	NUT, BRAKE MASTER CYLINDER ACTUATING ROD FASTENE 너트
94.699	FASTENER, BRAKE MASTER CYLINDER SUPPORT BRACKET 패스너





**PARKING BRAKE**

**23-510**

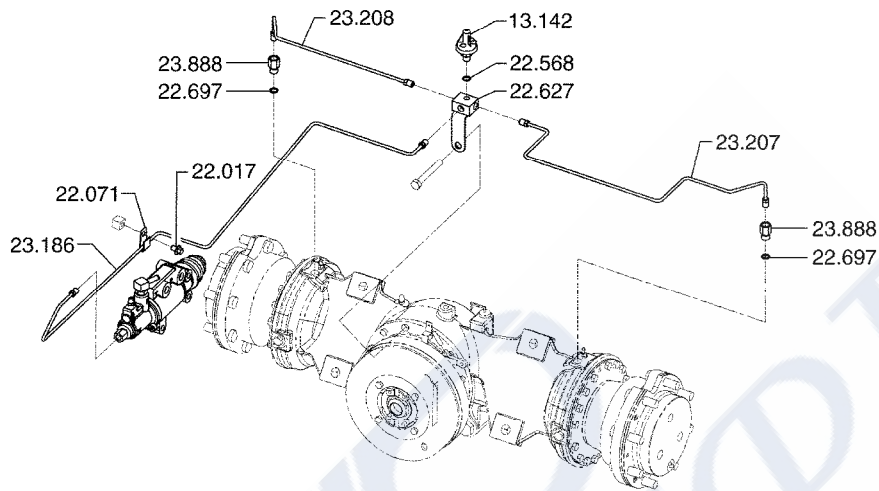
- |        |  |
|--------|--|
| 13.980 | SWITCH, PARK/SAFETY INTERLOCK<br>스위치                 |
| 22.115 | SUPPORT, PARKING BRAKE LEVER MOUNTING BRACKET<br>서포트 |
| 22.473 | COVER, HAND BRAKE LEVER<br>커버                        |
| 22.552 | CLAMP, PARKING BRAKE CABLE<br>클램프                    |
| 23.267 | LEVER, PARKING BRAKE<br>레버                           |
| 23.269 | FASTENER, PARKING BRAKE LEVER<br>패스너                 |
| 23.271 | FASTENER, PARKING BRAKE LEVER<br>패스너                 |
| 23.274 | CLAMP, PARKING BRAKE CABLE<br>클램프                    |
| 23.284 | FASTENER, PARKING BRAKE CABLE BRACKET<br>패스너         |

---

23.488	FASTENER, PARKING BRAKE SIDE PLATE 패스너
23.773	CABLE, PARKING BRAKE WHEEL END 케이블
23.780	SUPPORT, PARKING BRAKE LINKAGE 서포트
23.863	FASTENER, PARKING BRAKE LEVER BRACKET 패스너
39.215	FASTENER, GAS SPRING 패스너
47.272	BRACKET, CAB REAR GLASS GAS SPRING MOUNTING 브라켓







**BRAKE LINES**

**23-538**

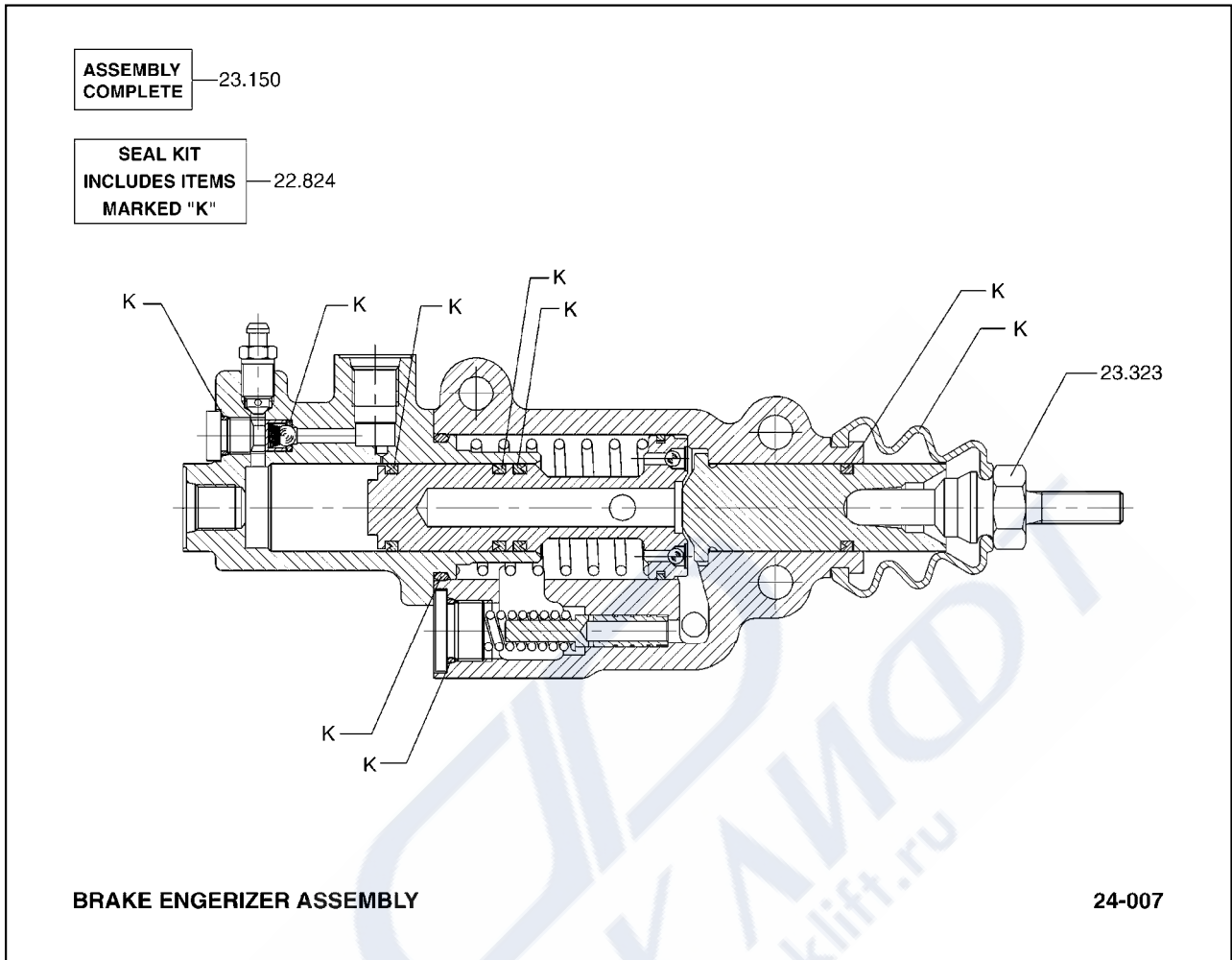
13.142	SWITCH, BRAKE INTERLOCK 스위치
22.017	FASTENER, BRAKE HOSE GUIDE 패스너
22.071	CLIP, BRAKE HOSE 클립
22.568	SEAL, BRAKE LINE TEE PLUG 씰
22.627	TEE, BRAKE LINE 티
22.697	SEAL, BRAKE LINE FITTING 씰
23.186	LINE, BRAKE MASTER CYLINDER OUTLET 라인
23.207	LINE, LH DRIVE WHEEL BRAKE CYLINDER TO TEE 라인
23.208	LINE, RH DRIVE WHEEL BRAKE CYLINDER TO TEE 라인

23.888

FITTING, BRAKE LINE

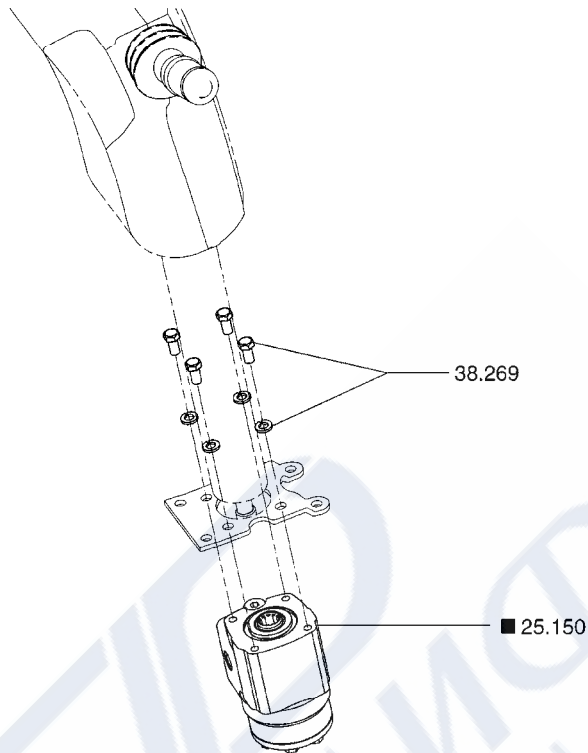
피팅

ФОРКЛИФТ  
www.forklift.ru



- |        |   |
|--------|---|
| 22.824 | SEAL KIT, BRAKE ENERGIZER/MASTER CYL<br>씰키트     |
| 23.150 | CYLINDER ASSEMBLY, BRAKE MASTER COMPLETE<br>실린더 |
| 23.323 | ROD, BRAKE ADJUSTING<br>로드                      |

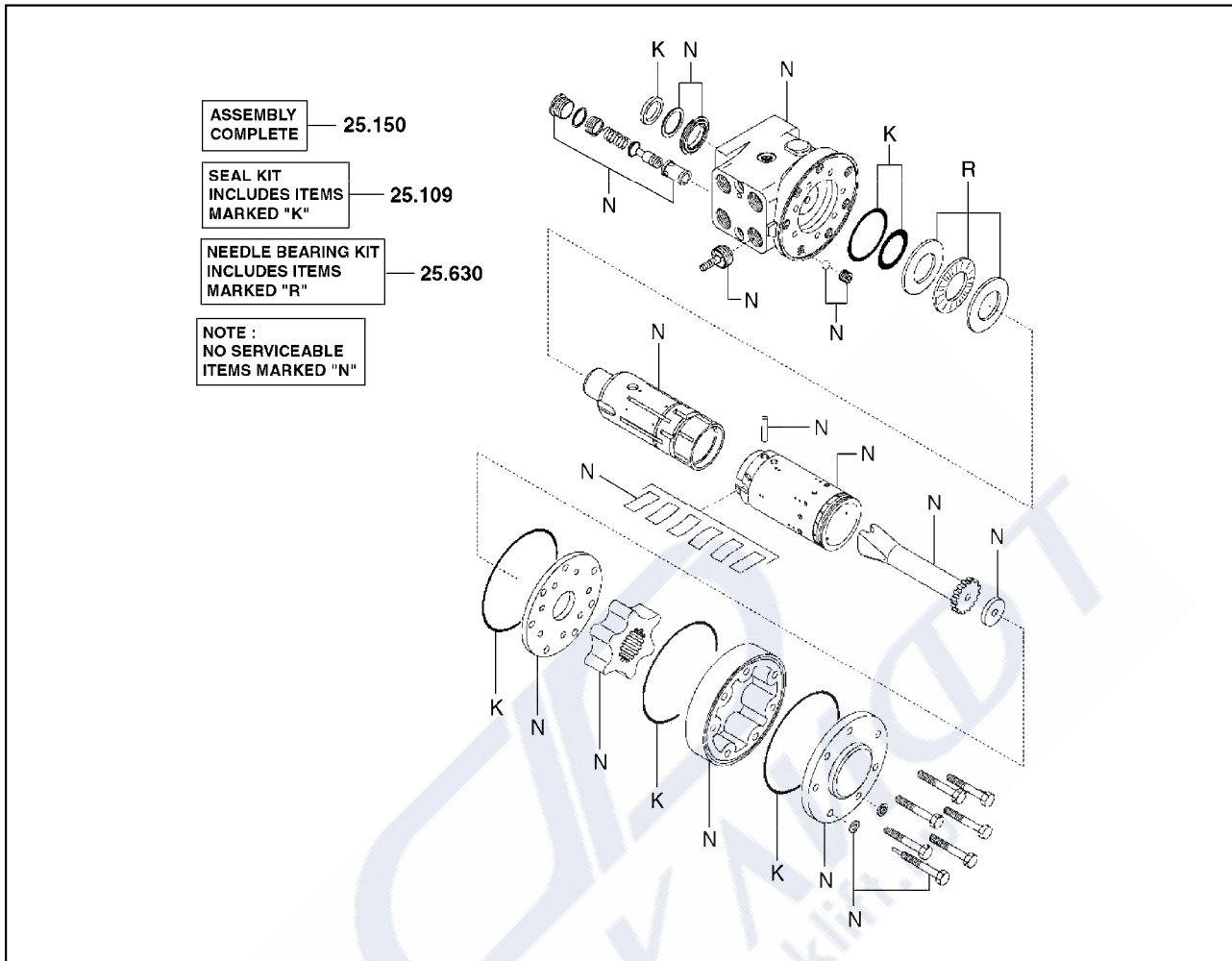
■ INDICATES AN ASSEMBLY  
HAVING SERVICEABLE  
COMPONENTS ILLUSTRATED  
ELSEWHERE



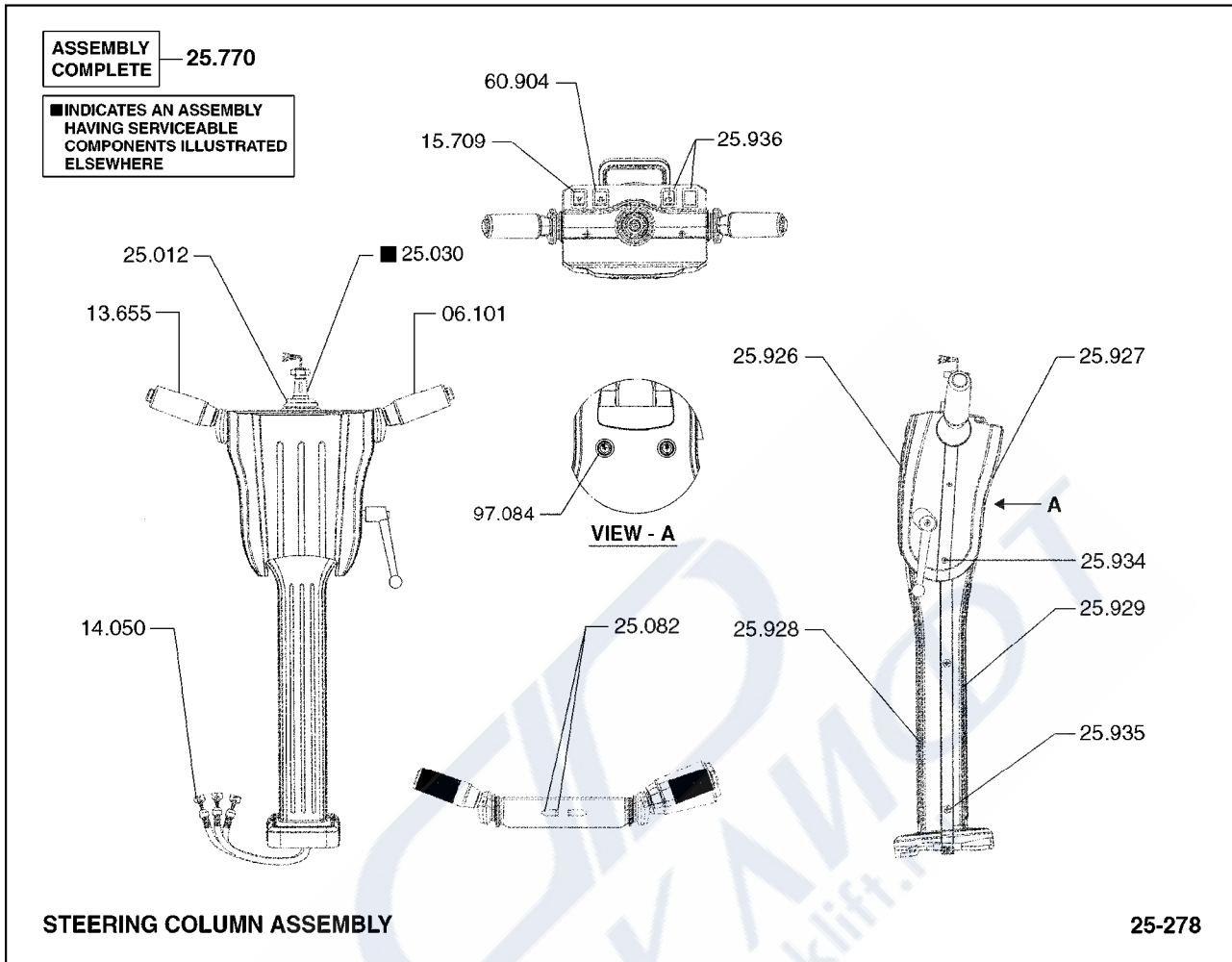
STEERING GEAR MOUNTING

25-058

- |        |  |
|--------|--|
| 25.150 | GEAR BOX ASSEMBLY, STEERING<br>기어박스      |
| 38.269 | FASTENER, STEERING COLUMN SUPPORT<br>패스너 |



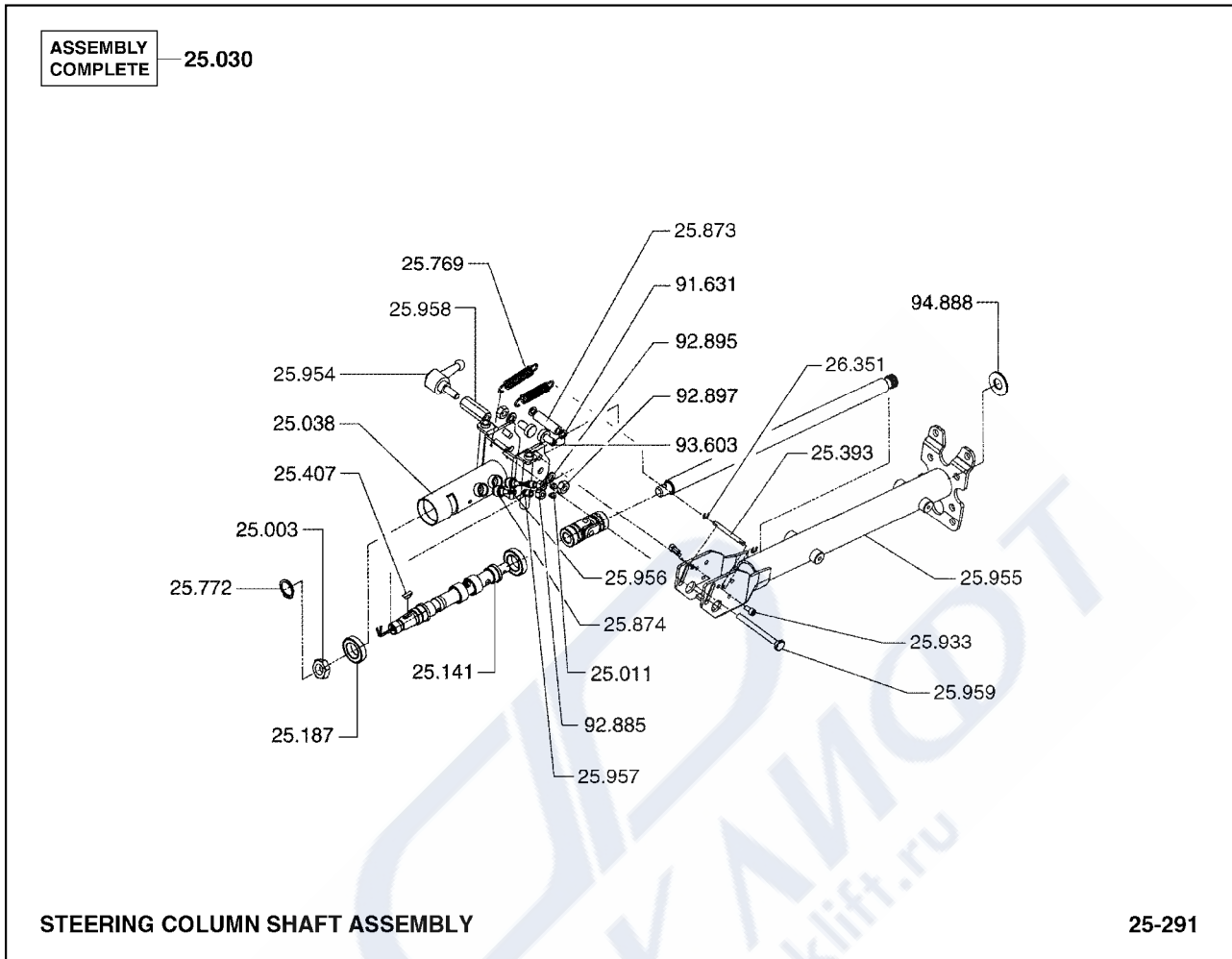
- |        |                                      |
|--------|--------------------------------------|
| 25.109 | KIT, STEER GEAR SEAL<br>키트           |
| 25.150 | GEAR BOX ASSEMBLY, STEERING<br>기어박스  |
| 25.630 | REPAIR KIT, STEERING COLUMN<br>리페어키트 |



06.101	LEVER ASSEMBLY, FORWARD & REVERSE 레버
13.655	SWITCH, TURN INDICATOR 스위치
14.050	HARNESS, CONTROL CIRCUIT WIRING 하네스
15.709	SWITCH, EMERGENCY 스위치
25.012	CUSHION, STEERING COLUMN 쿠션
25.030	SHAFT ASSEMBLY, STEERING COLUMN 샤프트
25.082	FASTENER, LEVER MOUNTING BRACKET 패스너
25.770	SHAFT & COLUMN ASSY, POWER STEERING (TILT) 샤프트& 컬럼
25.926	COVER, STEER COLUMN FRONT UPPER 커버

---

25.927	COVER, STEER COLUMN REAR UPPER 커버
25.928	COVER, STEER COLUMN FRONT LOWER 커버
25.929	COVER, STEER COLUMN REAR LOWER 커버
25.934	FASTENER, STEER COLUMN COVER 패스너
25.935	FASTENER, STEER COLUMN COVER 패스너
25.936	PLUG, STEER COLUMN SWITCH 플러그
60.904	SWITCH, STROBE LIGHT 스위치
97.084	FASTENER, STEER COLUMN COVER 패스너



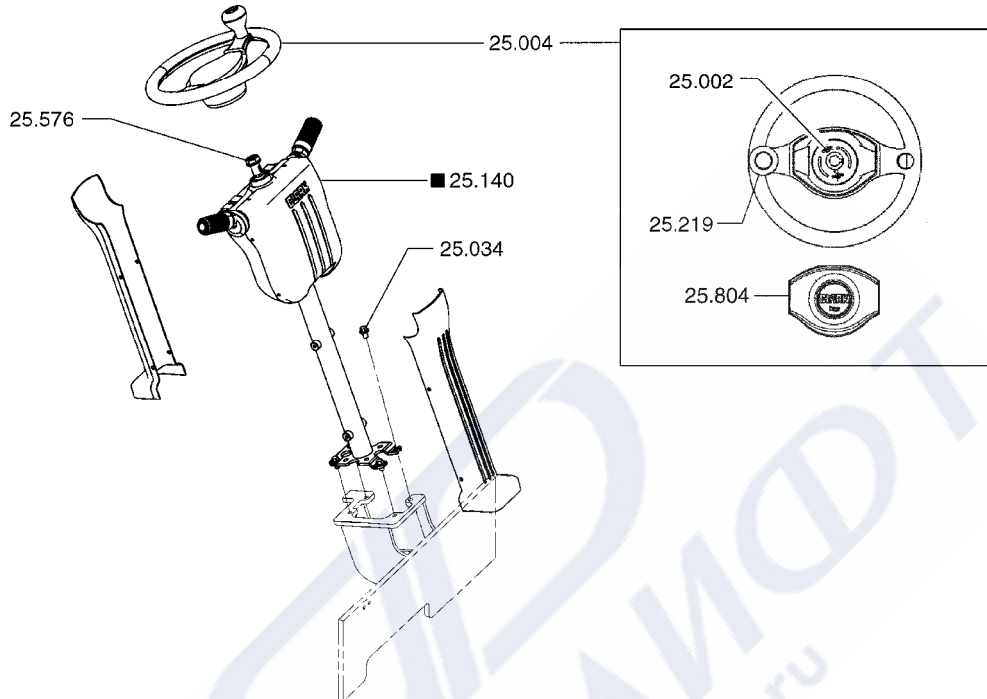
25.003	NUT, HANDWHEEL 너트
25.011	FASTENER, STEERING COLUMN 패스너
25.030	SHAFT ASSEMBLY, STEERING COLUMN 샤프트
25.038	HOUSING ASSEMBLY-CUP & BUSHING, STEERING 하우징
25.141	SHAFT, STEERING GEAR 샤프트
25.187	BEARING, STEER SHAFT 베어링
25.393	PIN, STEERING LINK (STEERING ARM) 핀
25.407	KEY, STEER COLUMN SHAFT COUPLING 키
25.769	SPRING, STEERING COLUMN TILTING (LOWER) 스프링



---

25.772	RETAINER, STEERING COLUMN SHAFT 리테이너
25.873	BUSHING, STEER COLUMN AXIAL 부싱
25.874	BUSHING, STEER COLUMN TELESCOPING 부싱
25.933	FASTENER, STEERING COLUMN 패스너
25.954	ARM, TILT STEERING COLUMN ADJUSTOR 암
25.955	SUPPORT, STEERING COLUMN SHAFT 서포트
25.956	BRUSH, STEERING COLUMN SHAFT 브러쉬
25.957	BRUSH HOLDER, STEERING COLUMN SHAFT 브러쉬홀더
25.958	PIVOT, TILT STEERING COLUMN ADJUSTOR ARM 피벗
25.959	PIN, TILT STEERING COLUMN ADJUSTOR ARM 핀
26.351	WASHER, STEERING ARM PIN 와셔
91.631	WASHER, STEERING COLUMN UPPER BRACKET FASTENER 와셔
92.885	NUT, STEERING COLUMN UPPER BRACKET FASTENER 너트
92.895	WASHER, STEERING COLUMN SUPPORT FASTENER 와셔
92.897	NUT, STEERING COLUMN SUPPORT FASTENER 너트
93.603	FASTENER, STEERING COLUMN TILTING SPRING BALL STUD 패스너
94.888	RETAINER, STEERING COLUMN ADJUSTOR 리테이너

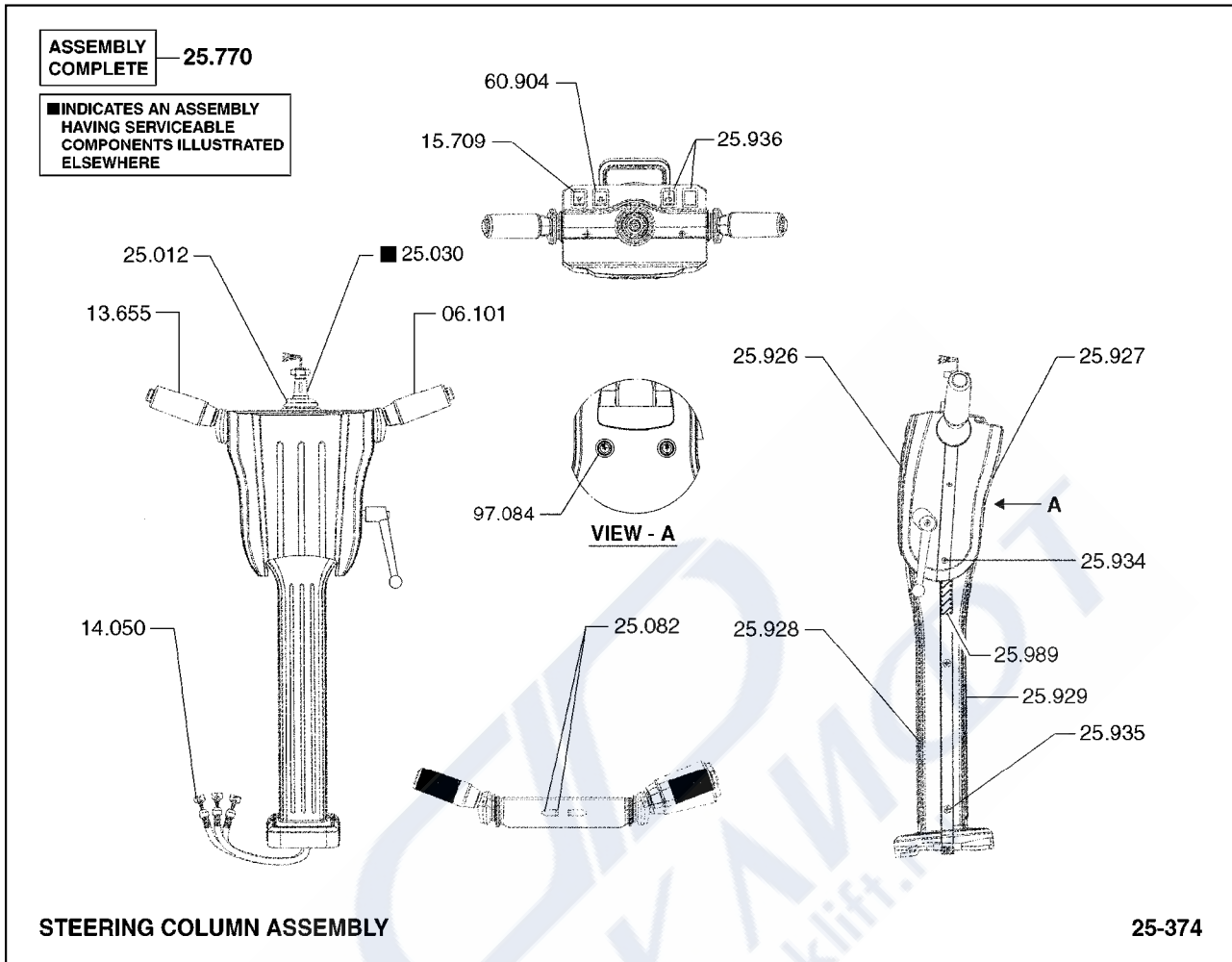
■ INDICATES AN ASSEMBLY  
HAVING SERVICEABLE  
COMPONENTS ILLUSTRATED  
ELSEWHERE



STEERING WHEEL & COLUMN MOUNTING

25-292

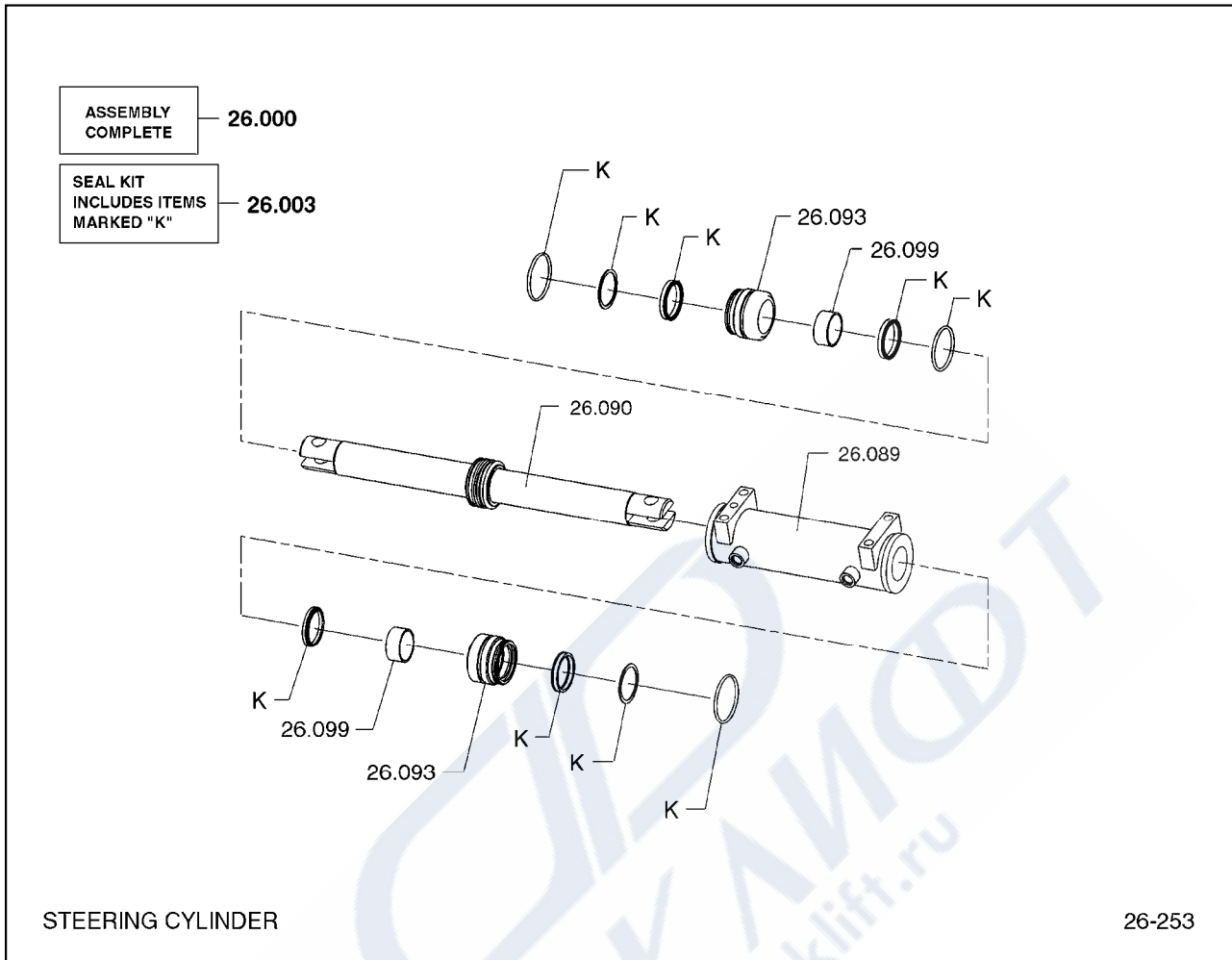
25.002	HORN BUTTON KIT 혼버튼키트
25.004	HAND WHEEL, STEERING GEAR 핸드휠
25.219	KNOB, STEERING HAND WHEEL SPINNER 노브
25.576	SPACER, STEERING HAND WHEEL 스페이서
25.770	SHAFT & COLUMN ASSY, POWER STEERING (TILT) 샤프트& 컬럼
25.785	FASTENER, TILT STEERING SHAFT & COLUMN ASSEMBLY 패스너
25.804	COVER, HANDLE CONTROL ASSEMBLY 커버



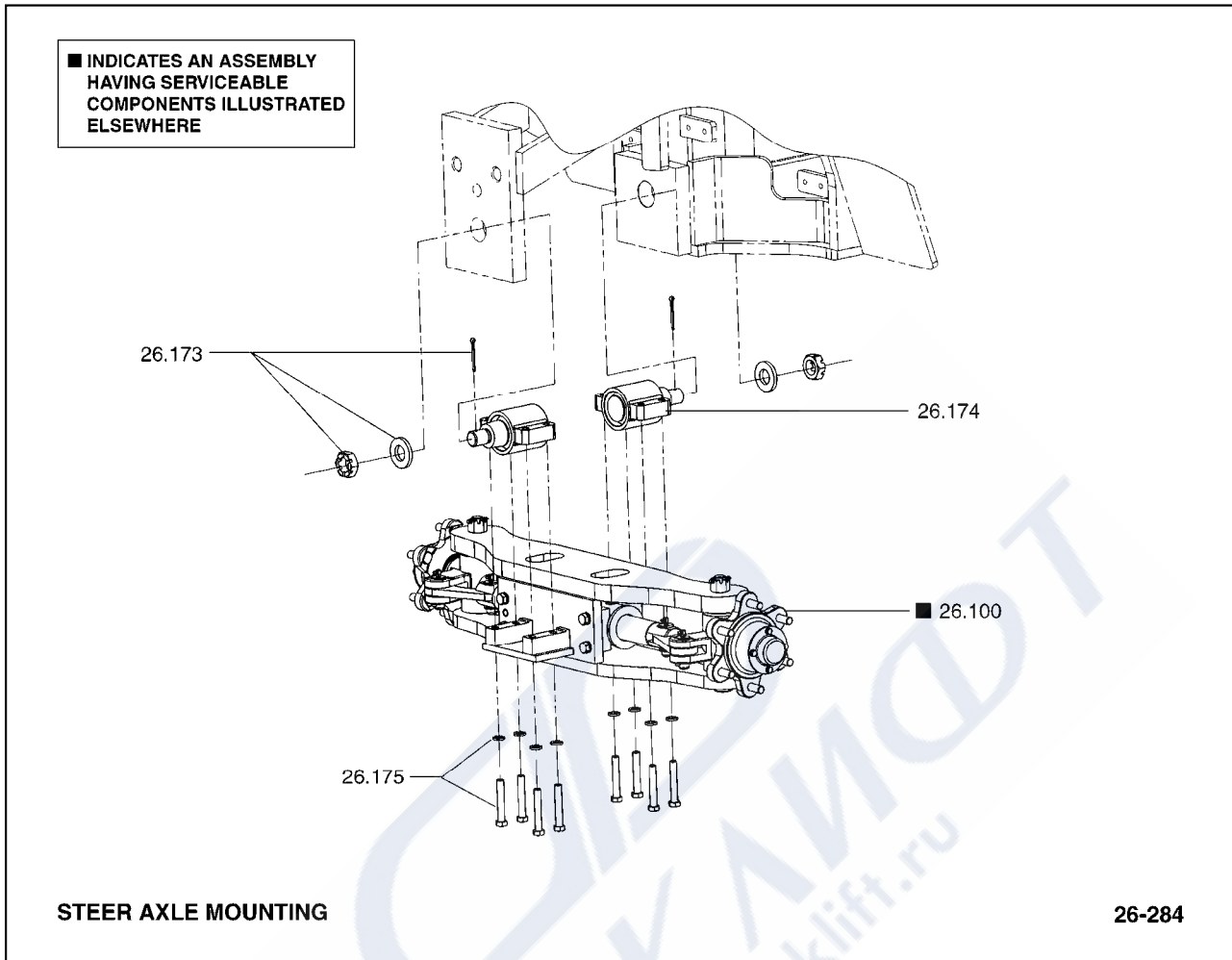
06.101	LEVER ASSEMBLY, FORWARD & REVERSE 레버
13.655	SWITCH, TURN INDICATOR 스위치
14.050	HARNESS, CONTROL CIRCUIT WIRING 하네스
15.709	SWITCH, EMERGENCY 스위치
25.012	CUSHION, STEERING COLUMN 쿠션
25.030	SHAFT ASSEMBLY, STEERING COLUMN 샤프트
25.082	FASTENER, LEVER MOUNTING BRACKET 패스너
25.770	SHAFT & COLUMN ASSY, POWER STEERING (TILT) 샤프트& 컬럼
25.926	COVER, STEER COLUMN FRONT UPPER 커버

---

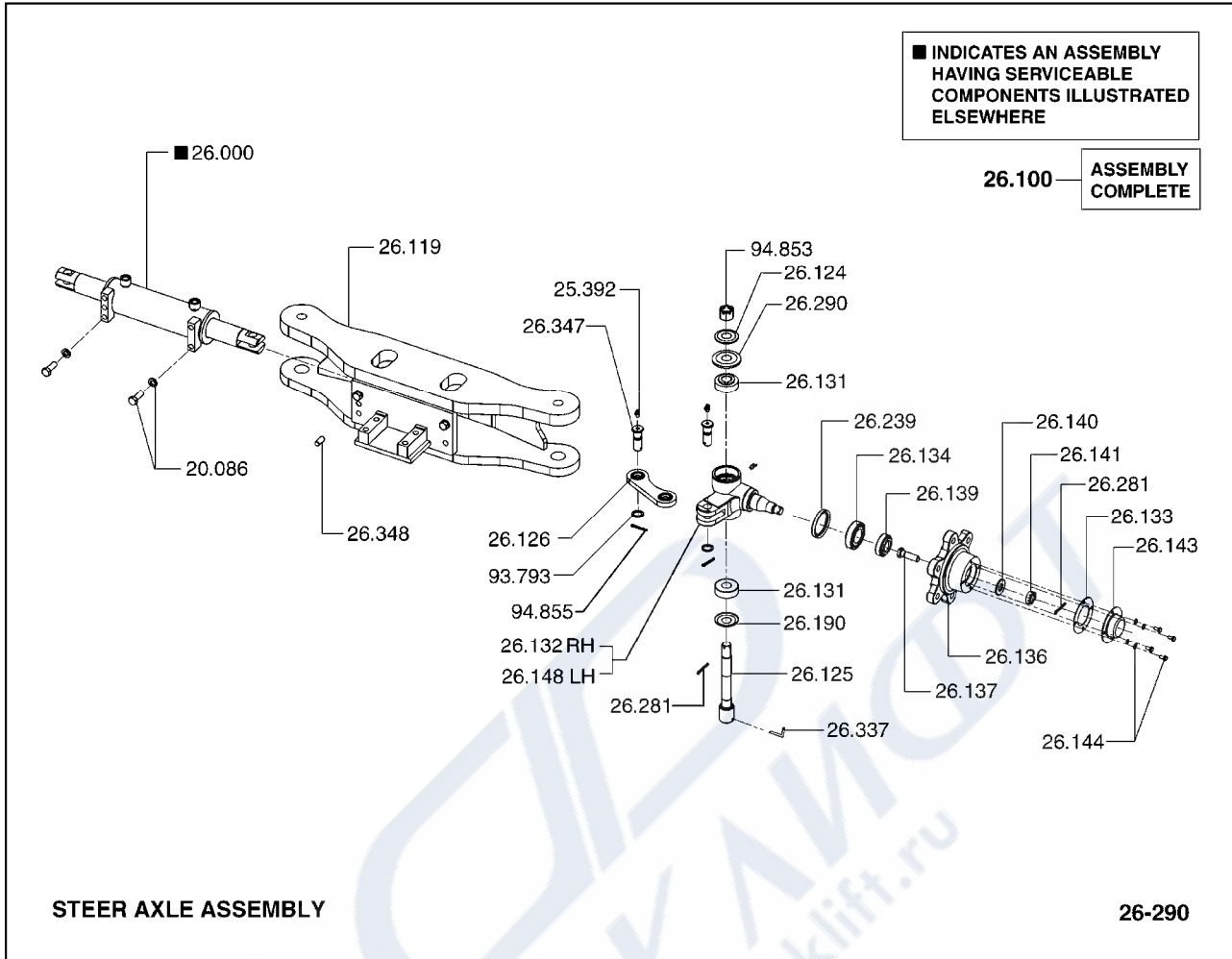
25.927	COVER, STEER COLUMN REAR UPPER 커버
25.928	COVER, STEER COLUMN FRONT LOWER 커버
25.929	COVER, STEER COLUMN REAR LOWER 커버
25.934	FASTENER, STEER COLUMN COVER 패스너
25.935	FASTENER, STEER COLUMN COVER 패스너
25.936	PLUG, STEER COLUMN SWITCH 플러그
25.989	SOUND SEAL, STEER COLUMN COVER 사운드씰
60.904	SWITCH, STROBE LIGHT 스위치
97.084	FASTENER, STEER COLUMN COVER 패스너



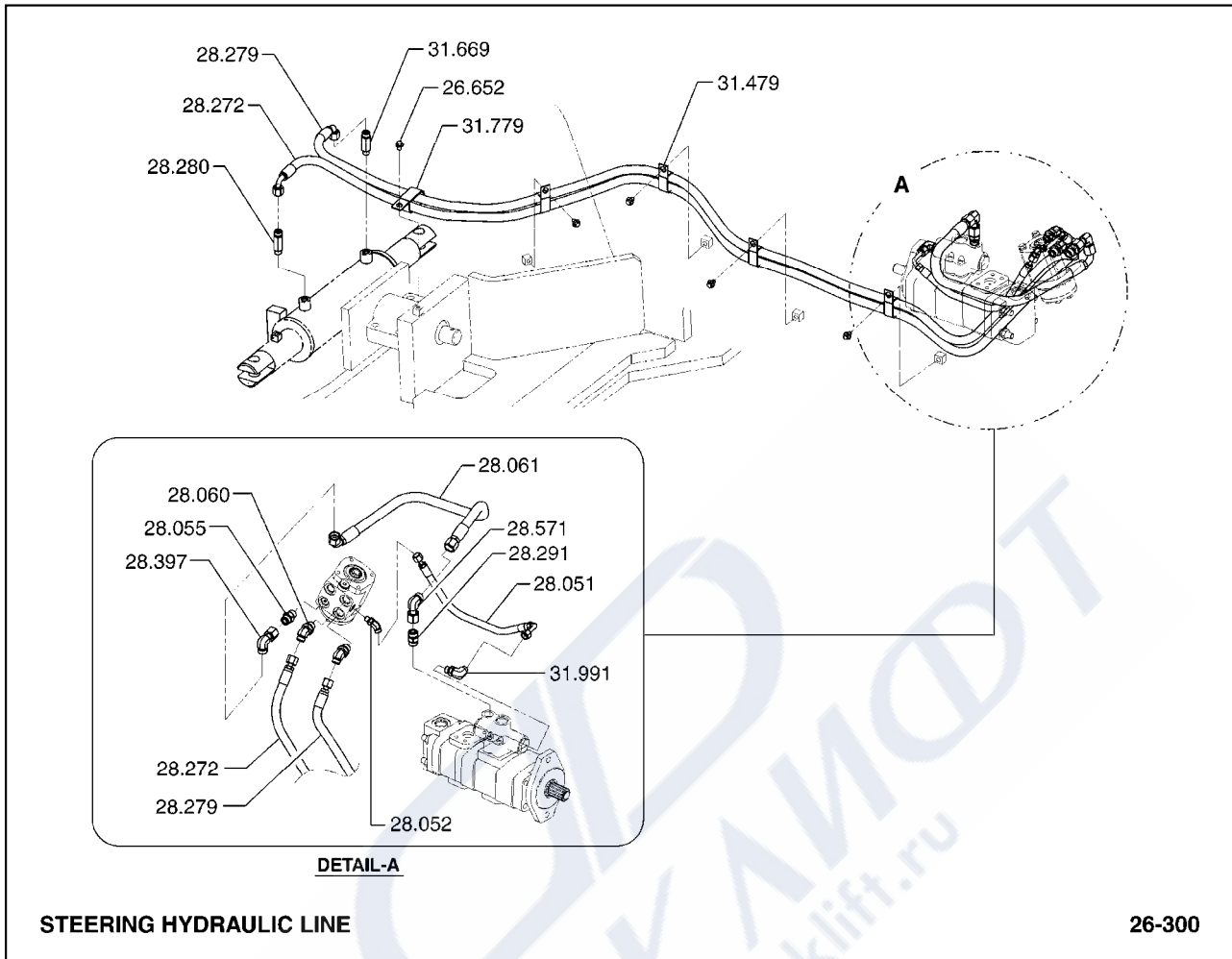
26.000	CYLINDER ASSEMBLY, STEERING 실린더
26.003	SEAL KIT, PISTON ROD 씰키트
26.089	BARREL, STEERING CYLINDER 배럴
26.090	STEER CYLINDER PISTON 스티어실린더피스톤
26.093	GLAND, STEERING CYLINDER 그랜드
26.099	BUSHING, STEERING CYLINDER GLAND 부싱



- |        |  |
|--------|--|
| 26.100 | AXLE ASSEMBLY, STEERING<br>스티어액슬               |
| 26.173 | FASTENER, SILENT BLOCK TO FRAME (FRONT)<br>패스너 |
| 26.174 | SILENT BLOCK, AXLE MOUNTING (REAR)<br>사일런트블록   |
| 26.175 | FASTENER, SILENT BLOCK TO FRAME (REAR)<br>패스너  |



20.086	SPACER, DRIVE AXLE SILENT BLOCK 스페이서	26.140	WASHER, STEER WHEEL HUB BEARING THRUST 와셔
25.392	FITTING-LUB, STEERING ARM 피팅	26.141	FASTENER, STEER WHEEL HUB 패스너
26.000	CYLINDER ASSEMBLY, STEERING 실린더	26.143	CAP, STEER WHEEL HUB 캡
26.100	AXLE ASSEMBLY, STEERING 스티어액슬	26.144	FASTENER, STEER AXLE HUB CAP 패스너
26.119	AXLE, STEER 액슬	26.148	KNUCKLE, STEER AXLE (LH) 너트
26.124	SHIM, STEER AXLE KNUCKLE 심	26.190	SEAL, STEER AXLE KNUCKLE OIL 씰
26.125	PIN, STEER AXLE KNUCKLE 핀	26.239	SEAL, STEER AXLE FORK COVER 씰
26.126	ARM, RH STEERING 암	26.281	RETAINER, STEER AXLE HUB BRG KNUCKLE NUT 리테이너
26.131	BEARING, STEER AXLE KNUCKLE PIN LOWER 베어링	26.290	RETAINER, STEER AXLE KNUCKLE PIN LOWER BEARING 리테이너
26.132	KNUCKLE, STEER AXLE (RH) 너트	26.337	LOCATOR, STEER AXLE KNUCKLE PIN 로케이터
26.133	SEAL, STEER WHEEL HUB 씰	26.347	PIN, STEER ARM 핀
26.134	CONE, STEER WHEEL HUB BEARING (INNER) 콘	26.348	LOCATOR, STEER CYLINDER 로케이터
26.136	HUB & CUP, STEER WHEEL 허브&컵	93.793	WASHER, STEERING ARM PIVOT FASTENER 와셔
26.137	FASTENER, STEER WHEEL 패스너	94.853	FASTENER, STEER AXLE KNUCKLE PIN 패스너
26.139	CONE, STEER WHEEL HUB BEARING (OUTER) 콘	94.855	RETAINER, STEERING ARM PIN 리테이너

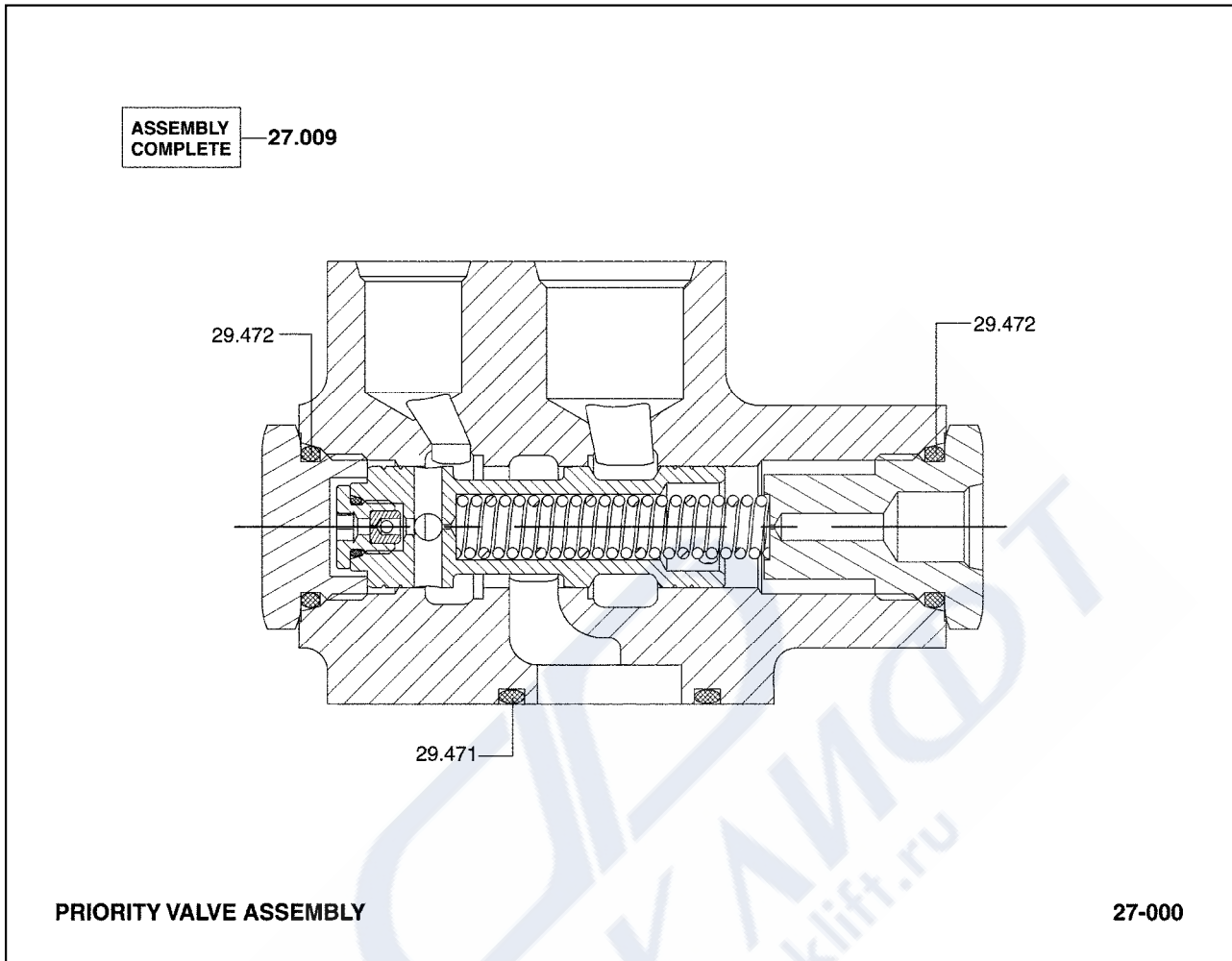


26.652	FASTENER, POWER STEERING LINES CLAMP 패스너
28.051	LINE, STEERING GEAR 라인
28.052	FITTING, STEERING GEAR 피팅
28.055	FITTING, STEERING GEAR 피팅
28.060	FITTING, STEER VALVE CONTROL PORT 피팅
28.061	LINE, STEER VALVE CONTROL 라인
28.272	LINE, STEER CYLINDER INLET 라인
28.279	LINE, STEER CYLINDER INLET 라인
28.280	FITTING, STEER CYLINDER 피팅

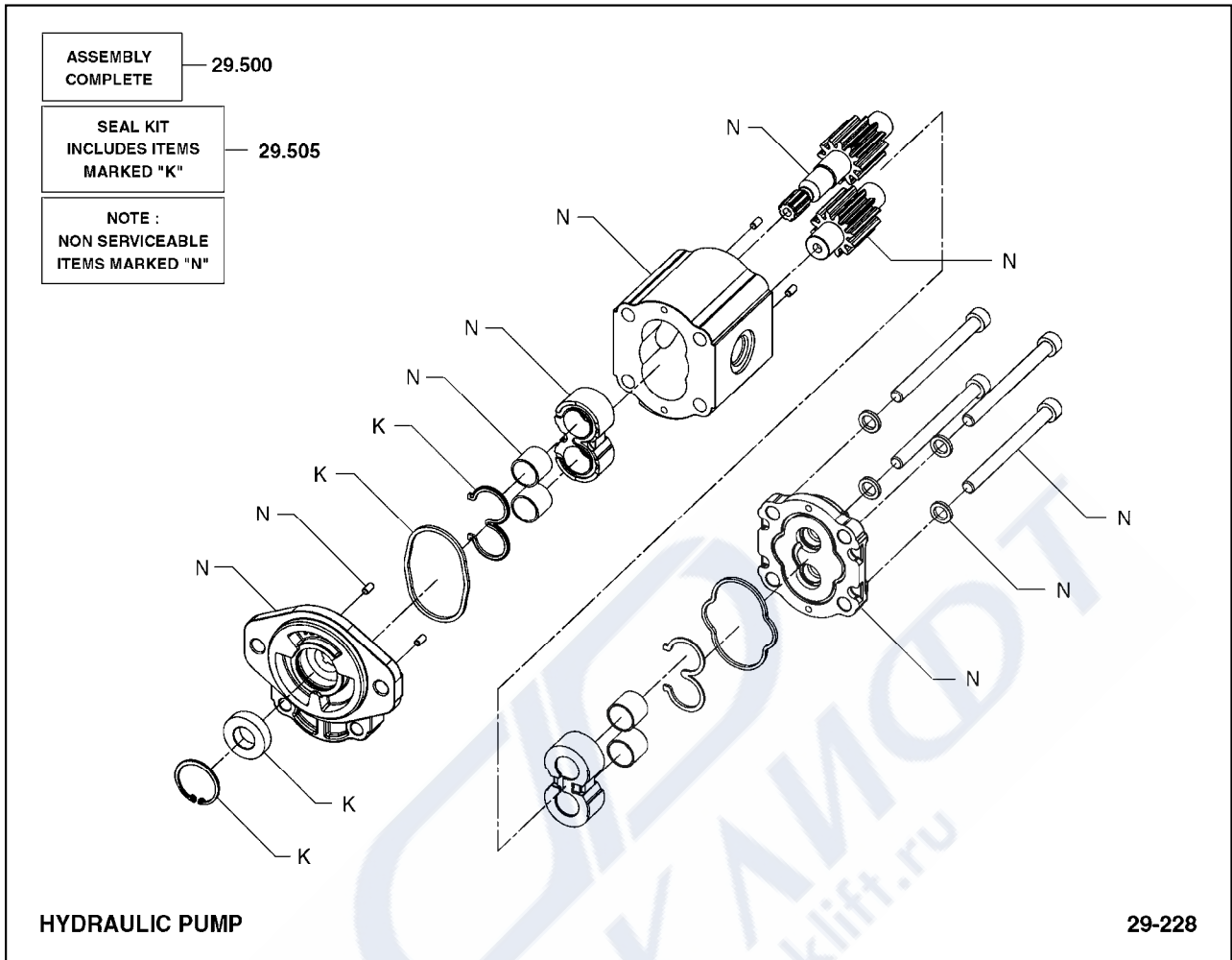


28.291	FITTING, PUMP OUTLET 피팅
28.397	FITTING, STEERING GEAR LINE 피팅
28.571	FITTING, STEER VALVE INLET LINE 피팅
31.479	CLAMP, STEERING LINES 클램프
31.669	FITTING, STEERING CYLINDER ROD PORT 피팅
31.779	CLAMP, POWER STEERING LINES 클램프
31.991	FITTING, PUMP INLET LINE 피팅

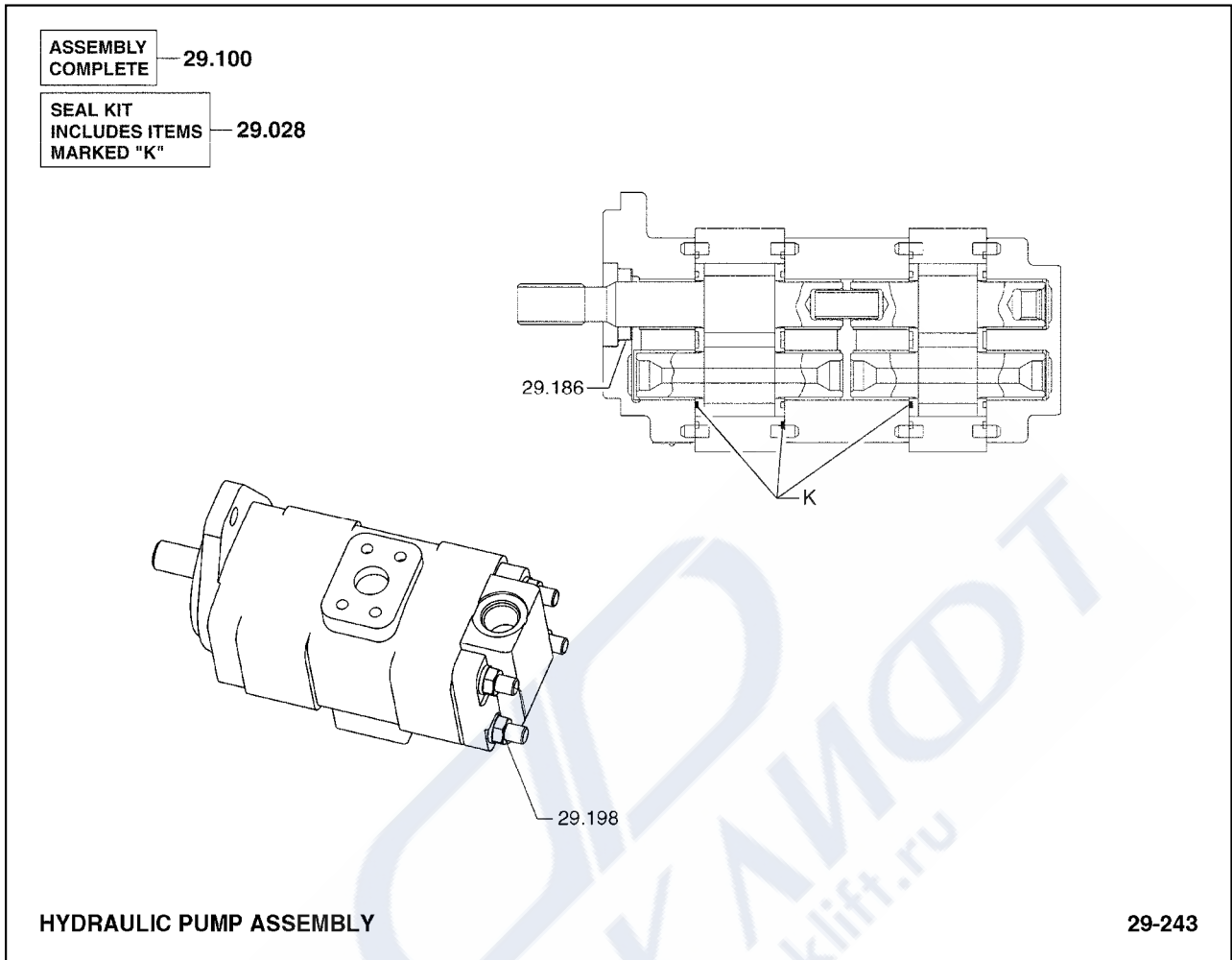




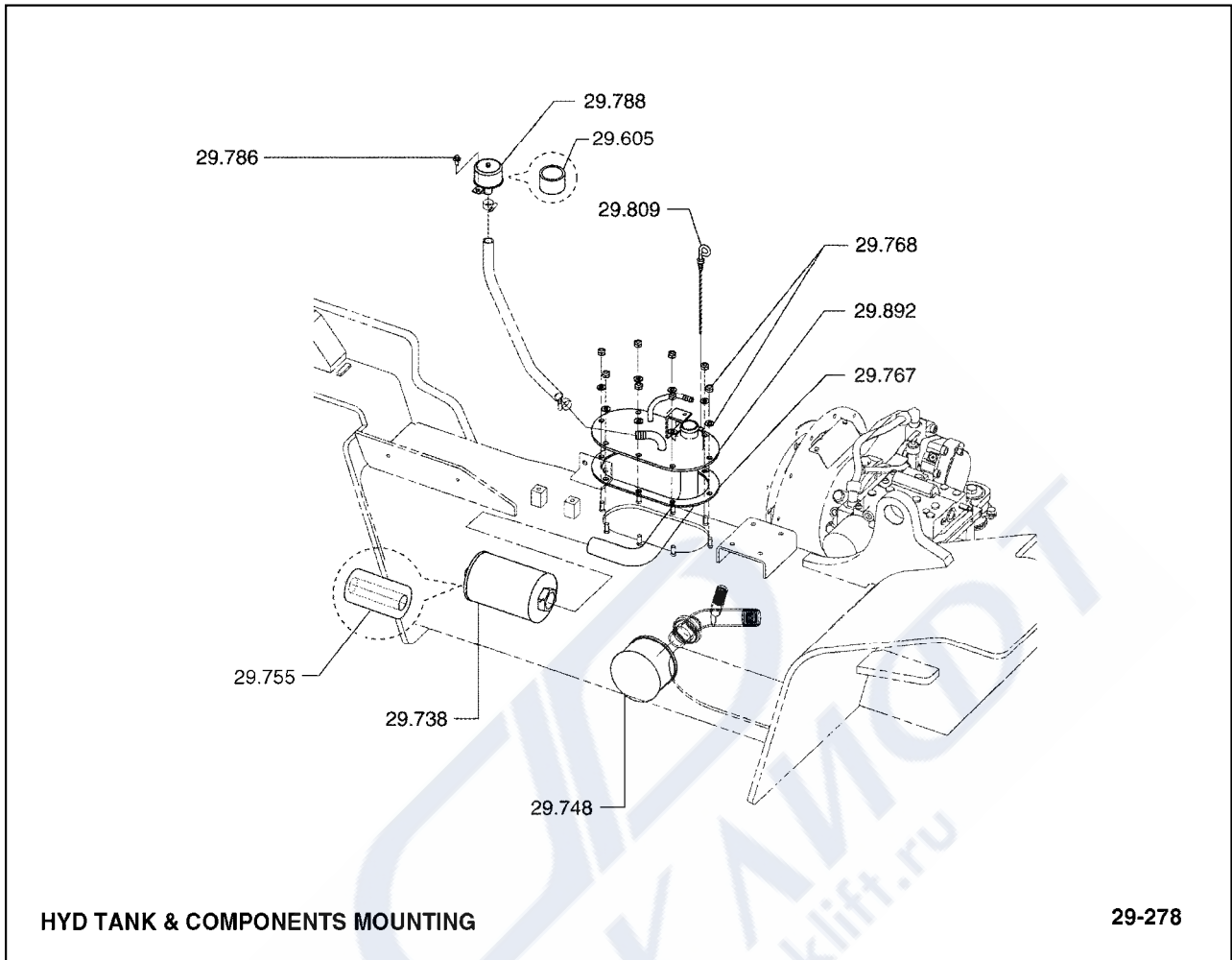
- |        |  |
|--------|--|
| 27.009 | VALVE ASSEMBLY, HYDRAULIC PRIORITY<br>밸브 |
| 29.471 | SEAL, PRIORITY VALVE FITTING<br>씰        |
| 29.472 | SEAL, PRIORITY VALVE FITTING<br>씰        |



- 29.500 PUMP ASSEMBLY, AUXILIARY HYDRAULIC  
펌프
- 29.505 GASKET & SEAL KIT, AUXILIARY PUMP  
가스켓& 씬



- |        |                                      |
|--------|--------------------------------------|
| 29.028 | SEAL KIT, HYDRAULIC UNIT PUMP<br>씰키트 |
| 29.100 | PUMP ASSEMBLY, HYDRAULIC<br>펌프       |
| 29.186 | SEAL, PUMP SHAFT<br>씰                |
| 29.198 | FASTENER, PUMP HOUSING<br>패스너        |

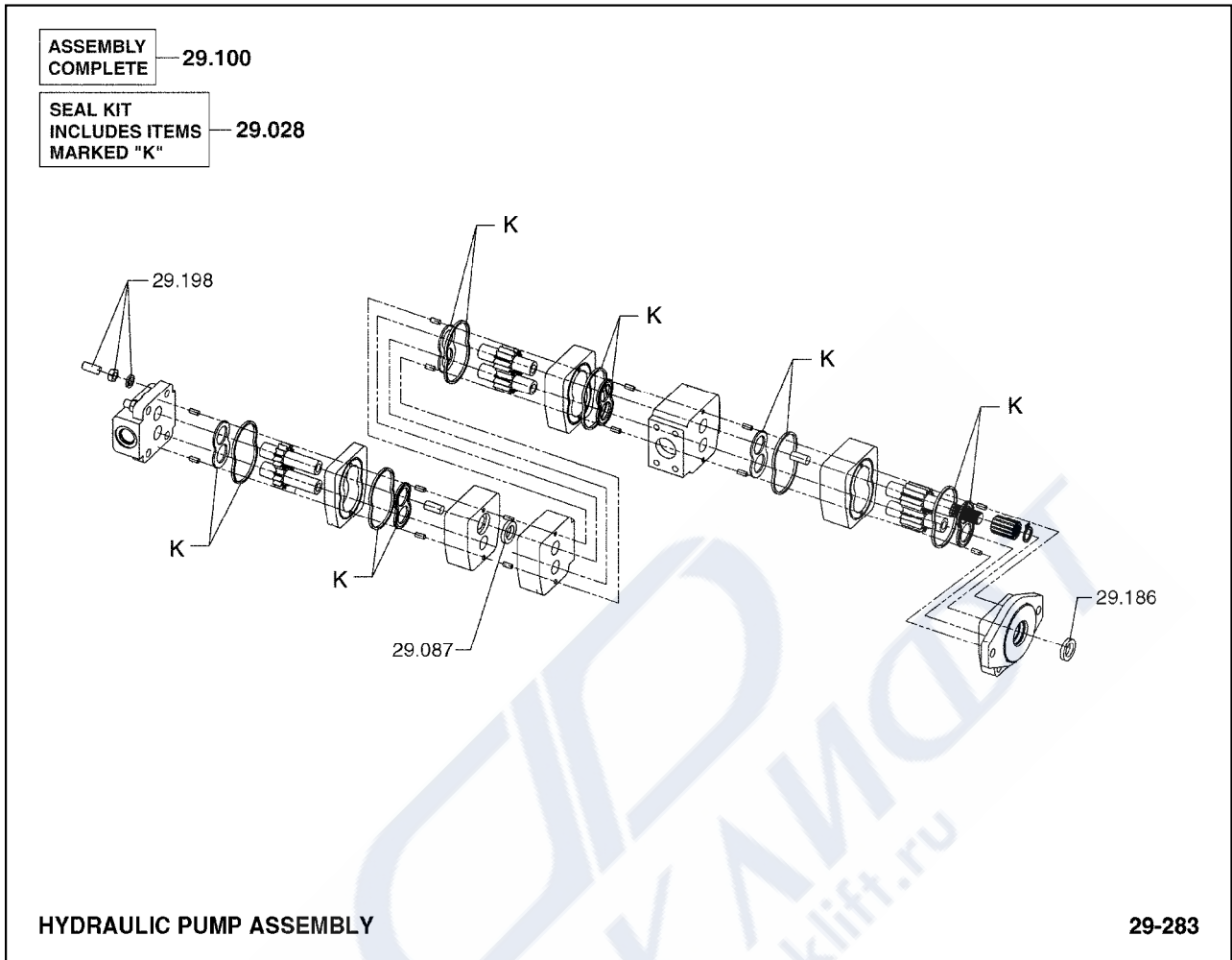


29.605	FILTER, AIR BREATHER 필터
29.738	FILTER ASSEMBLY, HYDRAULIC SUMP 필터
29.748	STRAINER, HYDRAULIC 스트레이너
29.755	SCREEN, HYDRAULIC SUMP FILTER 스크린
29.767	SEAL, SUMP TANK COVER 씰
29.768	FASTENER, SUMP TANK COVER 패스너
29.786	FASTENER, SUMP BREATHER 패스너
29.788	BREATHER, SUMP 브리더
29.809	DIPSTICK, SUMP LEVEL 딤스틱

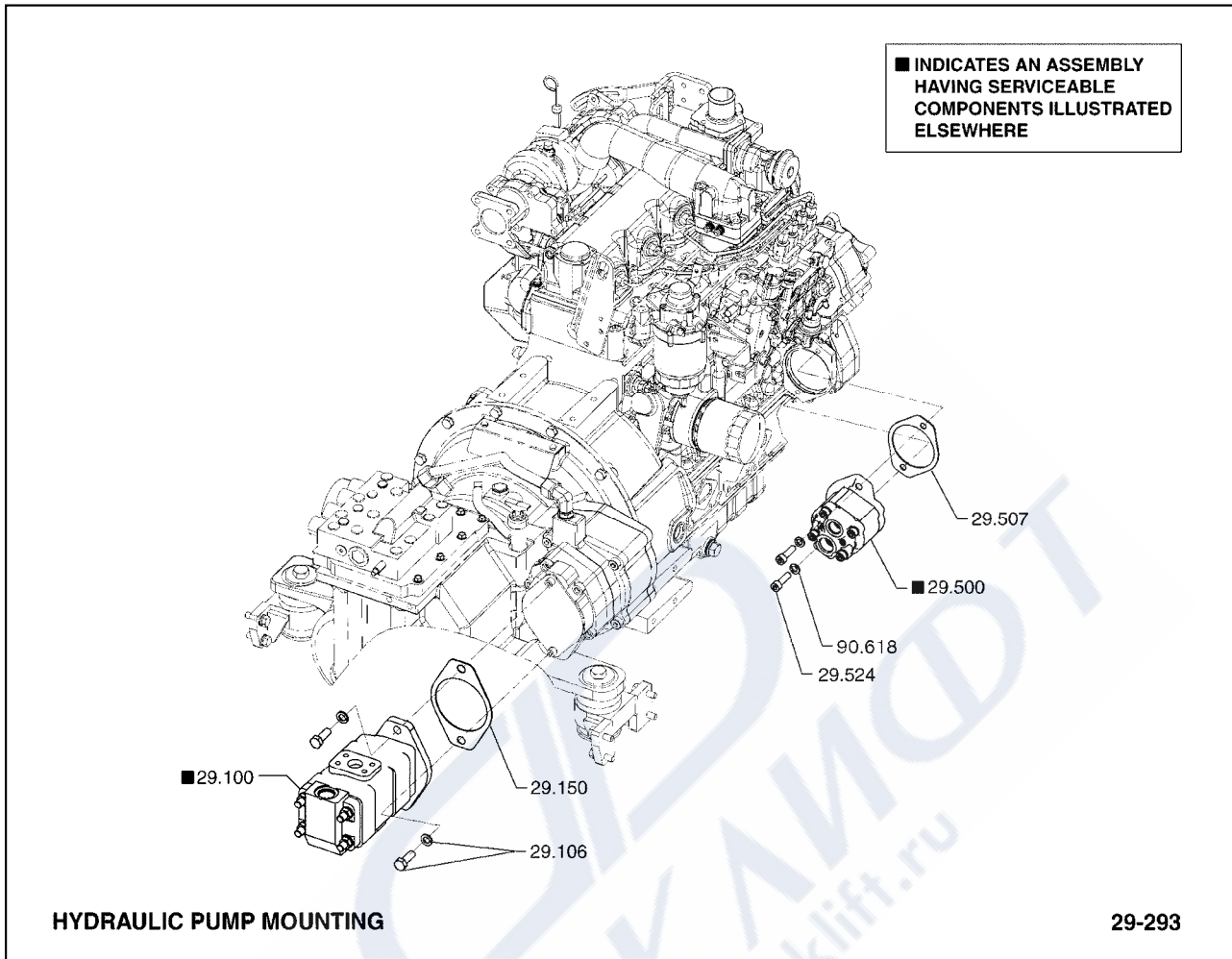
29.892

COVER, HYDRAULIC SUMP  
커버



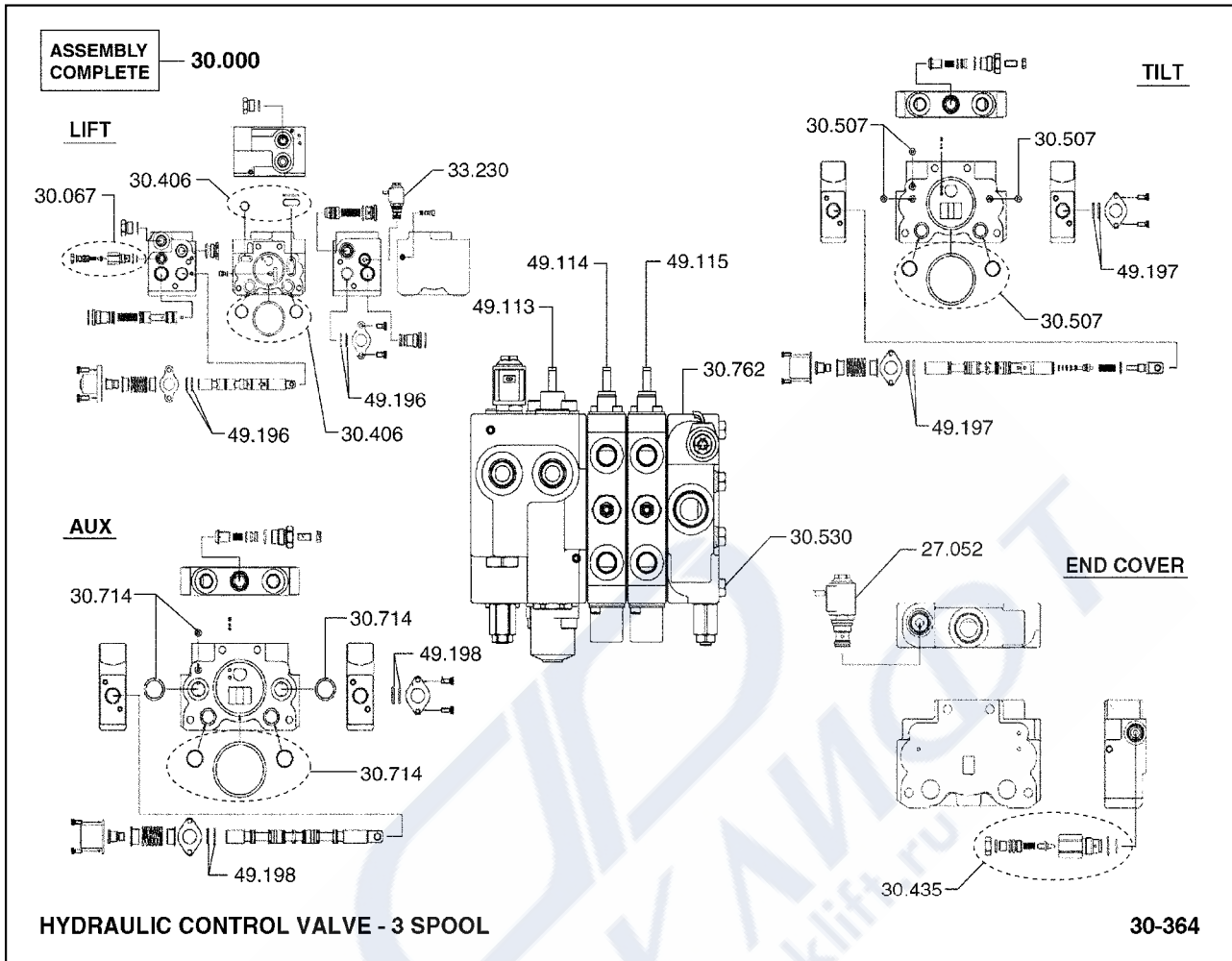


- |        |                                      |
|--------|--------------------------------------|
| 29.028 | SEAL KIT, HYDRAULIC UNIT PUMP<br>씰키트 |
| 29.087 | SEAL, HYDRAULIC PUMP HOUSING<br>씰    |
| 29.100 | PUMP ASSEMBLY, HYDRAULIC<br>펌프       |
| 29.186 | SEAL, PUMP SHAFT<br>씰                |
| 29.198 | FASTENER, PUMP HOUSING<br>패스너        |



29.100	PUMP ASSEMBLY, HYDRAULIC 펌프
29.150	GASKET, HYDRAULIC PUMP MOUNTING 가스켓
29.500	PUMP ASSEMBLY, AUXILIARY HYDRAULIC 펌프
29.507	GASKET, AUXILIARY PUMP MOUNTING 가스켓
29.616	FASTENER, HYDRAULIC PUMP MOUNTING 패스너
90.618	LOCKWASHER, AUXILIARY PUMP FASTENER 로크와셔

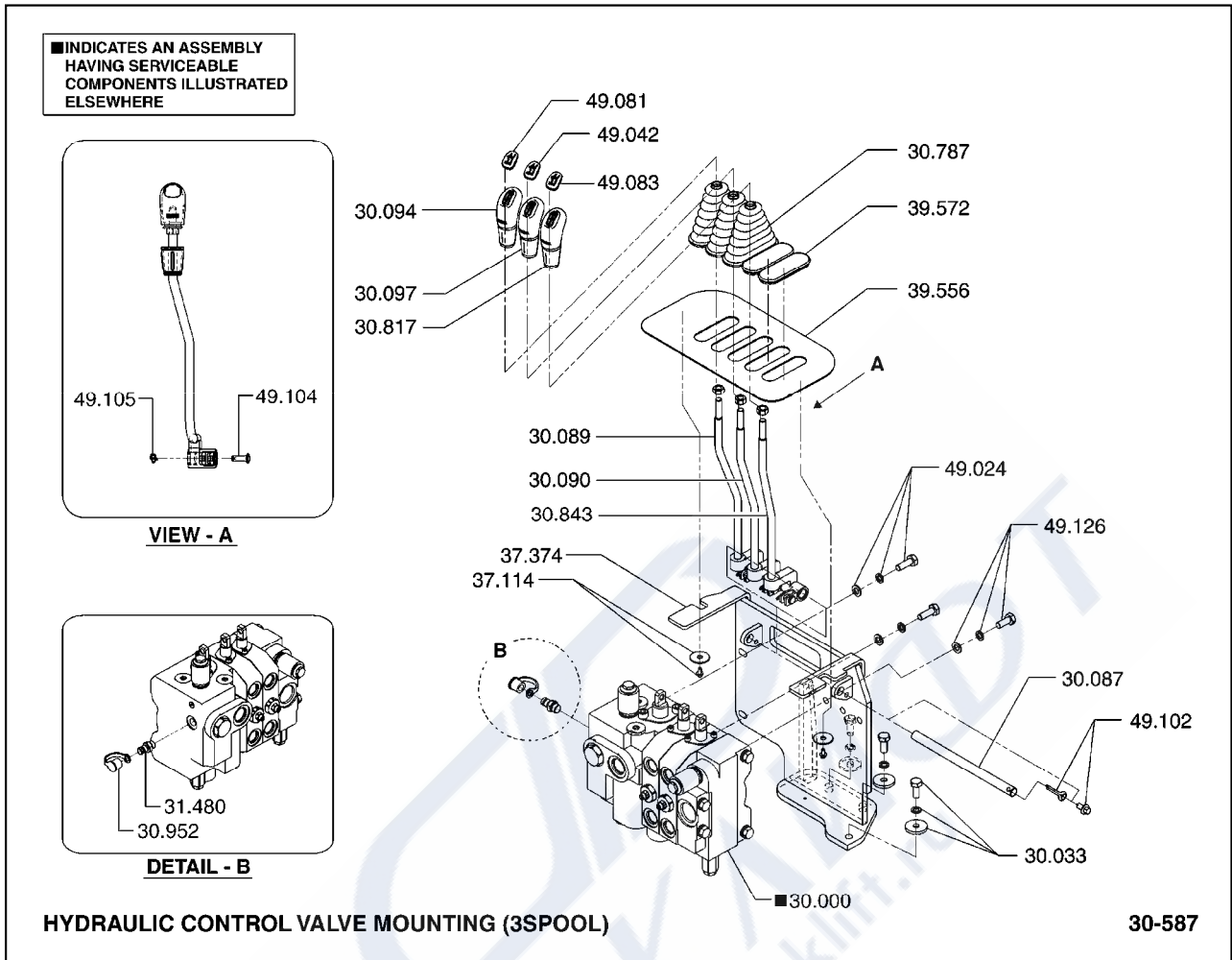




27.052	VALVE ASSEMBLY, AUXILIARY SOLENOID 밸브
30.000	VALVE ASSEMBLY, HYDRAULIC 밸브
30.067	RELIEF VALVE KIT, VALVE INLET SECTION 릴리프밸브
30.406	SEAL KIT, HYDRAULIC VALVE (LIFT) 씰키트
30.435	RELIEF VALVE ASSEMBLY, AUXILIARY VALVE 릴리프밸브
30.507	SEAL KIT, HYDRAULIC VALVE (TILT) 씰키트
30.530	FASTENER, VALVE THRU 패스너
30.714	SEAL KIT, HYDRAULIC VALVE SECTION (AUX) 씰키트
30.762	END COVER, HYDRAULIC VALVE 엔드커버

33.230	VALVE ASSEMBLY, LIFT SOLENOID 밸브
49.113	LIFT SECTION, HYDRAULIC VALVE 리프트섹션
49.114	TILT SECTION, HYDRAULIC VALVE 틸트섹션
49.115	AUX SECTION, HYDRAULIC VALVE 보조섹션
49.196	SPOOL SEAL KIT, LIFT SECTION 스풀씰키트
49.197	SPOOL SEAL KIT, TILT SECTION 스풀씰키트
49.198	SPOOL SEAL KIT, AUX SECTION 스풀씰키트

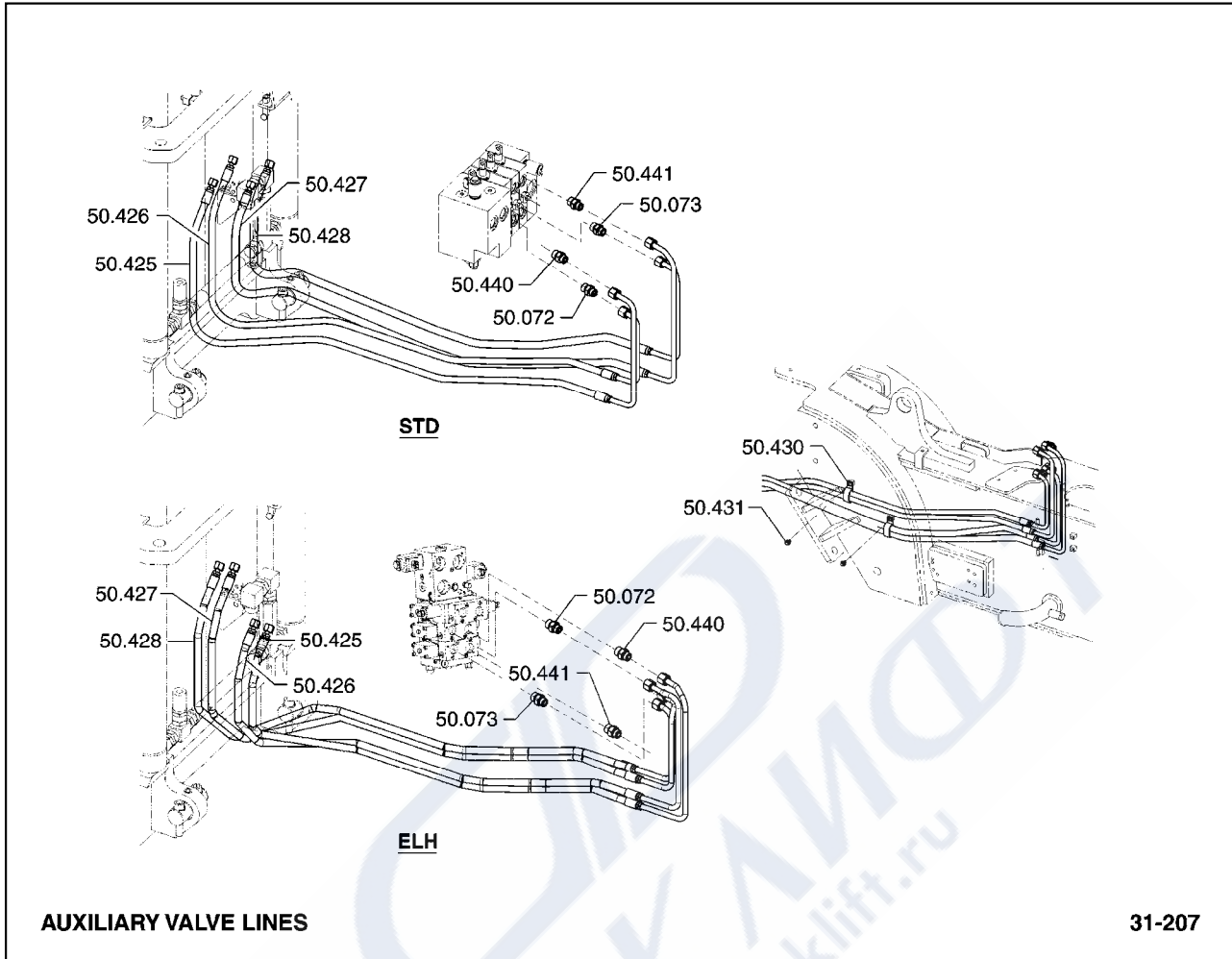
ООО «ФОРКЛИФТ»  
www.forklift.ru



30.000	VALVE ASSEMBLY, HYDRAULIC 밸브
30.033	FASTENER, HYDRAULIC VALVE MOUNTING 패스너
30.087	PIN, VALVE CONTROL LEVER PIVOT 핀
30.089	LEVER, LIFT CONTROL 레버
30.090	LEVER, TILT CONTROL 레버
30.094	KNOB, LIFT CONTROL LEVER 노브
30.097	KNOB, TILT CONTROL LEVER 노브
30.787	BOOT, VALVE CONTROL LEVER 부트
30.817	KNOB, AUXILIARY VALVE CONTROL LEVER 노브

---

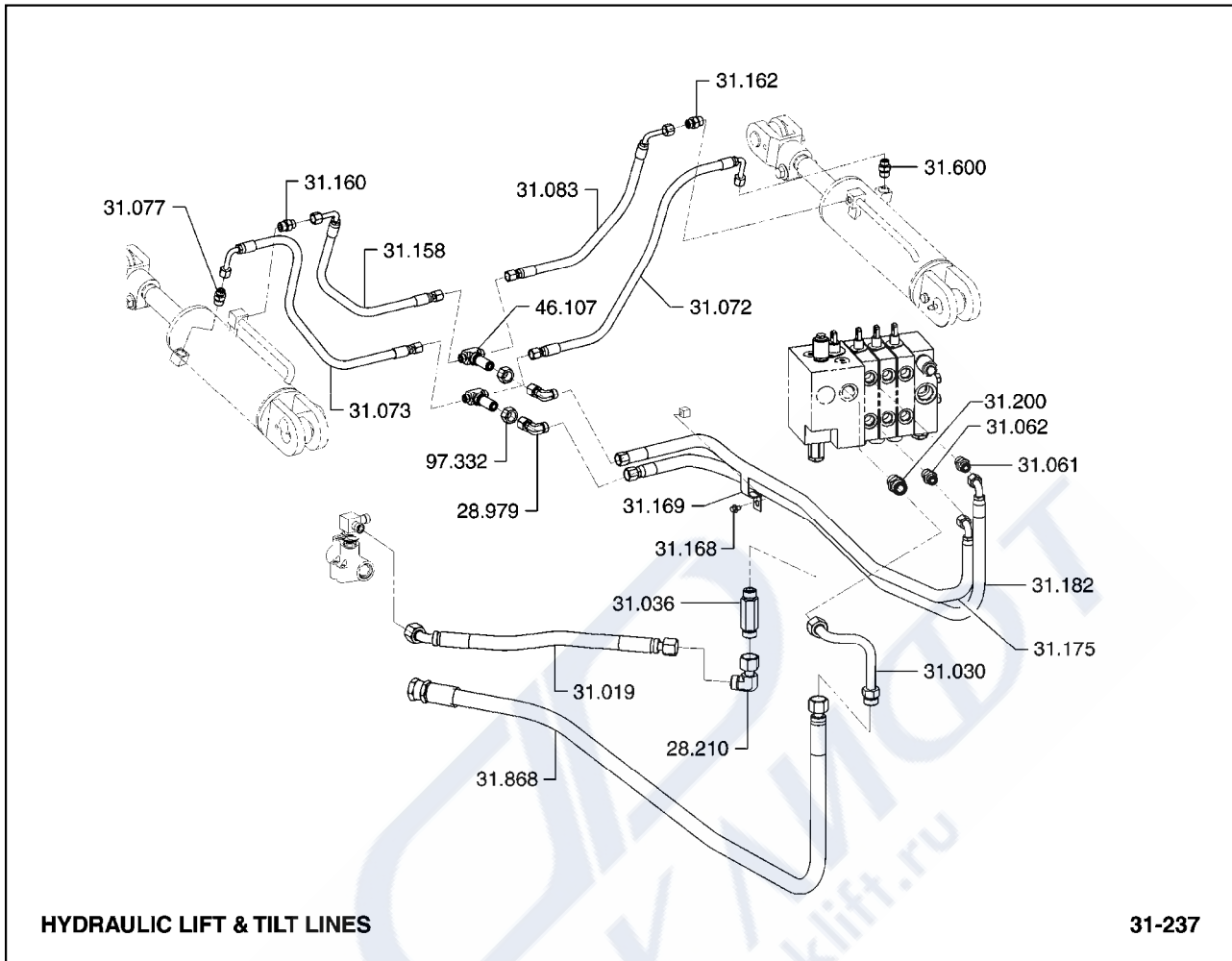
30.843	LEVER, AUXILIARY VALVE CONTROL (1ST AUX) 레버
30.952	DUST CAP, PRESSURE GAUGE PORT FITTING 더스트캡
31.480	PLUG, PRESSURE GAUGE PORT 플러그
37.114	FASTENER, VALVE LINKAGE ACCESS COVER 패스너
37.374	COVER, HYDRAULIC VALVE 커버
39.556	COVER, VALVE LINKAGE ACCESS 커버
39.572	COVER, AUXILIARY VALVE LEVER HOLE 커버
49.024	FASTENER, HYDRAULIC VALVE MOUNTING BRACKET 패스너
49.042	CAP, TILT CONTROL LEVER 캡
49.081	CAP, LIFT CONTROL LEVER 캡
49.083	CAP, VALVE CONTROL LEVER DECAL 캡
49.102	FASTENER, VALVE CONTROL LEVER PIVOT RETAINER 패스너
49.104	PIN, VALVE CONTROL LEVER CLEVIS ROD 핀
49.105	RETAINER, VALVE CONTROL LEVER CLEVIS ROD PIN 리테이너
49.126	FASTENER, HYDRAULIC VALVE MOUNTING 패스너



50.072	FITTING, 1ST AUXILIARY VALVE "B" PORT 피팅
50.073	FITTING, 2ND AUXILIARY VALVE "B" PORT 피팅
50.425	LINE, 1ST AUXILIARY VALVE "A" PORT 라인
50.426	LINE, 1ST AUXILIARY VALVE "B" PORT 라인
50.427	LINE, 2ND AUXILIARY VALVE "A" PORT 라인
50.428	LINE, 2ND AUXILIARY VALVE "B" PORT 라인
50.430	CLAMP, AUXILIARY VALVE LINES 클램프
50.431	FASTENER, AUX VALVE LINES CLAMP 패스너
50.440	FITTING, 1ST AUXILIARY VALVE "A" PORT 피팅

50.441 FITTING, 2ND AUXILIARY VALVE "A" PORT  
피팅



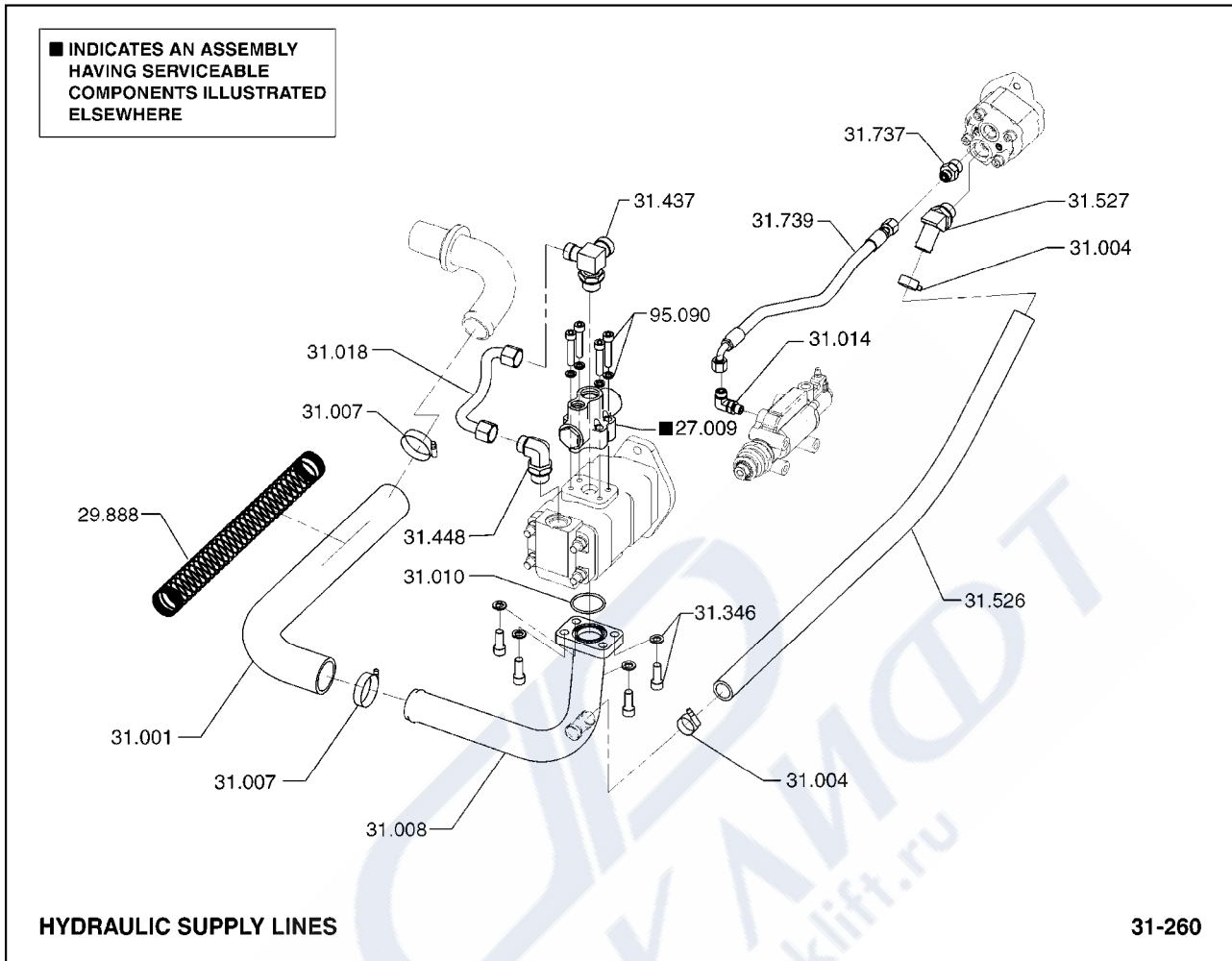


28.210	FITTING, MAIN VALVE INLET LINE 피팅
28.979	FITTING, HYDRAULIC LINES 피팅
31.019	LINE, VALVE INLET 라인
31.030	LINE, VALVE TO LIFT CYLINDER 라인
31.036	FITTING, MAIN VALVE INLET PORT 피팅
31.061	FITTING, VALVE TILT PORT "A" 피팅
31.062	FITTING, VALVE TILT PORT "B" 피팅
31.072	LINE, RH TILT CYLINDER ROD PORT 라인
31.073	LINE, LH TILT CYLINDER ROD PORT 라인

---

31.077	FITTING, LH TILT CYLINDER ROD PORT 피팅
31.083	LINE, RH TILT CYLINDER ANCHOR PORT 라인
31.158	LINE, LH TILT CYLINDER ANCHOR PORT 라인
31.160	FITTING, LH TILT CYLINDER ANCHOR PORT 피팅
31.162	FITTING, RH TILT CYLINDER ANCHOR PORT 피팅
31.168	FASTENER, TILT LINE CLAMP 패스너
31.169	CLAMP, TILT LINE 클램프
31.175	LINE, VALVE TILT PORT "B" 라인
31.182	LINE, VALVE TILT PORT "A" 라인
31.200	FITTING, MAIN VALVE LIFT PORT 피팅
31.600	FITTING, RH TILT CYLINDER ROD PORT 피팅
31.868	LINE, MAIN VALVE LIFT 라인
46.107	TEE, TILT CYLINDER LINE 티
97.332	FASTNER, TILT CYLINDER LINE 패스너

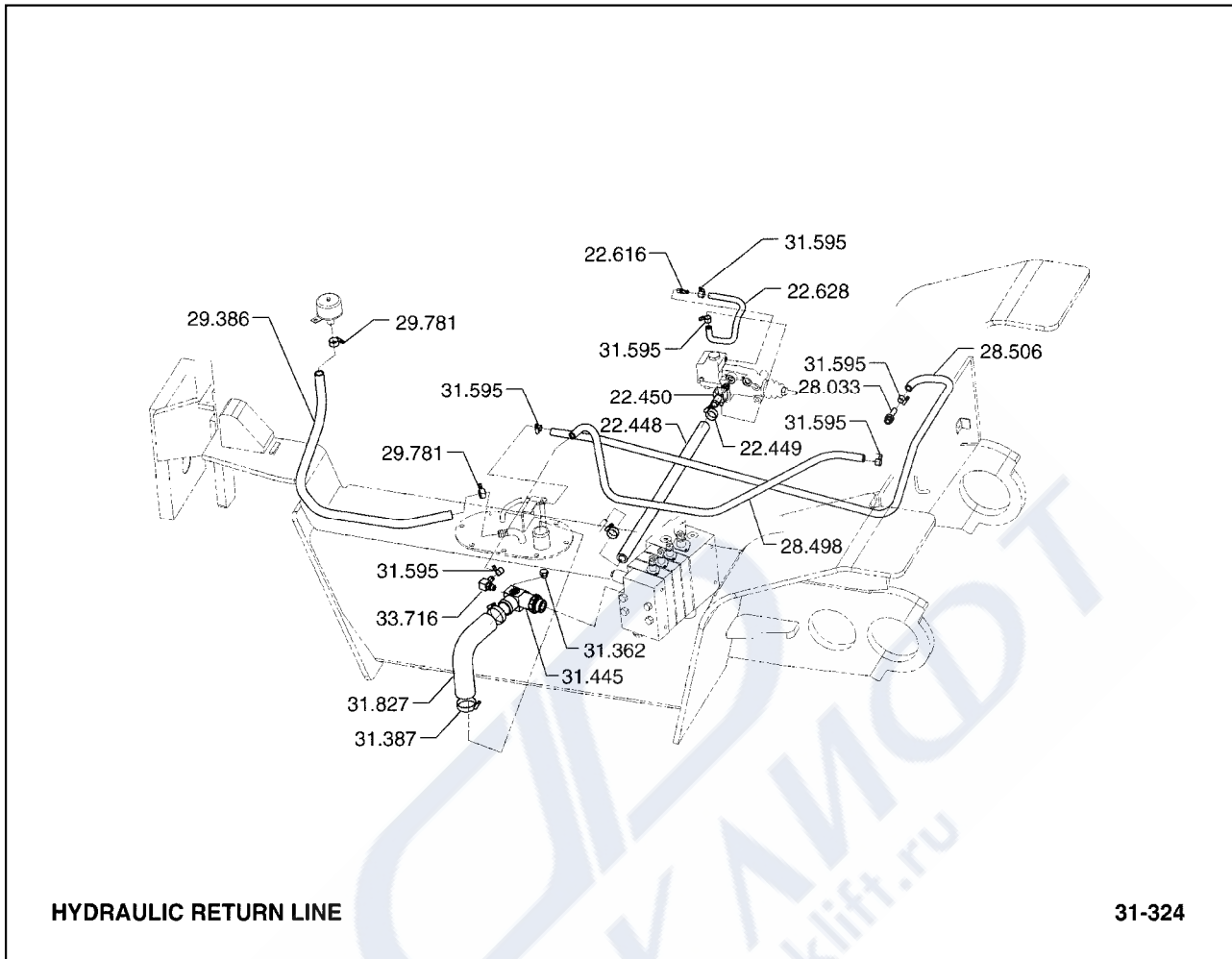




27.009	VALVE ASSEMBLY, HYDRAULIC PRIORITY 밸브
29.888	SPRING, HYDRAULIC SUMP 스프링
31.001	LINE, SUMP OUTLET 라인
31.004	CLAMP, PUMP INLET LINE 클램프
31.007	CLAMP, PUMP INLET LINE 클램프
31.008	FITTING, PUMP INLET 피팅
31.010	SEAL, PUMP INLET PORT 씰
31.014	FITTING, PUMP OUTLET 피팅
31.018	LINE, PUMP OUTLET 라인

---

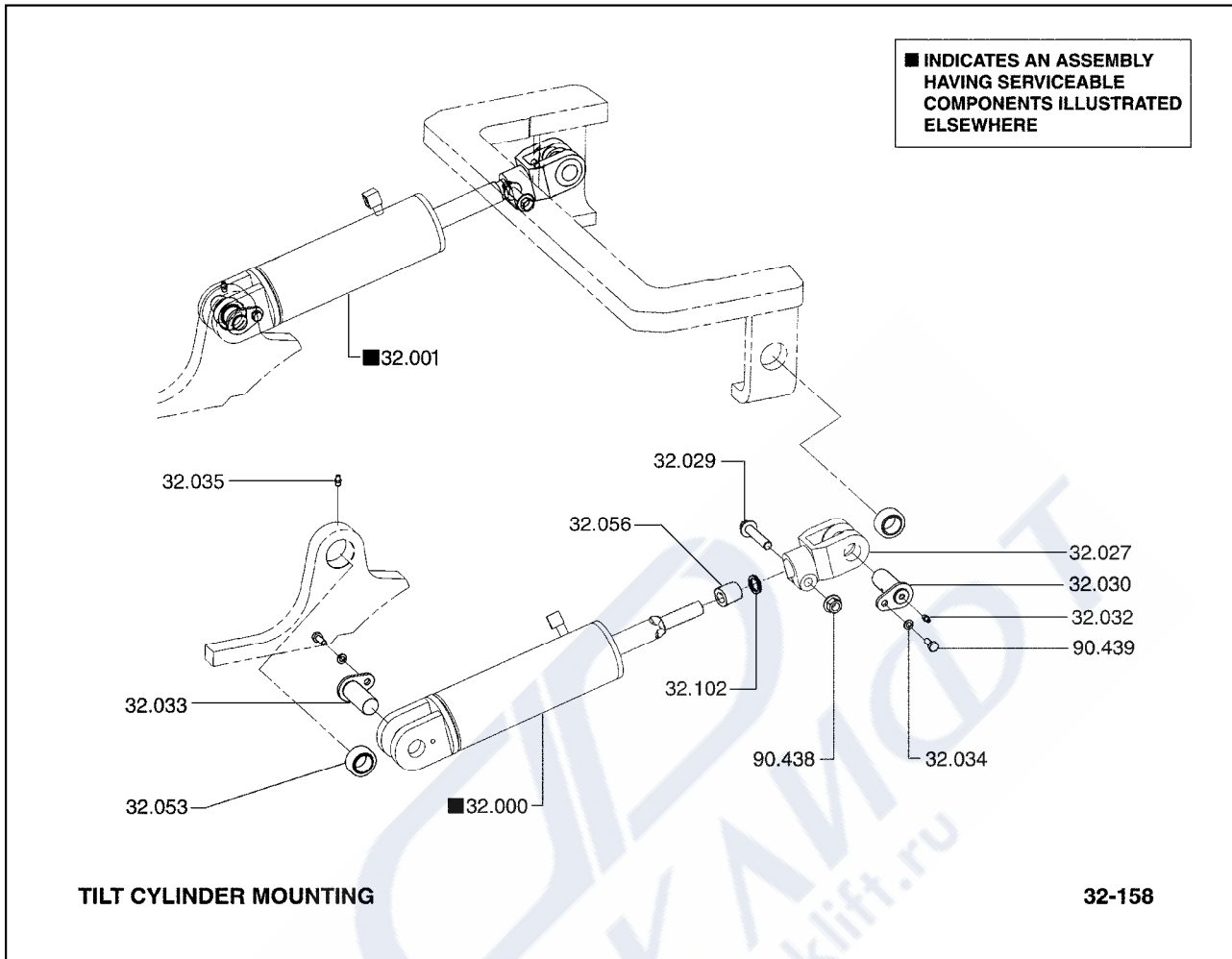
31.346	FASTENER, PUMP INLET PORT FITTING 패스너
31.437	FITTING, VALVE INLET LINE 피팅
31.448	FITTING, PUMP OUTLET LINE 피팅
31.526	LINE, AUXILIARY PUMP INLET 라인
31.527	FITTING, AUXILIARY PUMP INLET 피팅
31.737	FITTING, AUXILIARY SUMP OUTLET 피팅
31.739	LINE, AUXILIARY PUMP OUTLET 라인
95.090	FASTENER, HYDRAULIC PRIORITY VALVE 패스너



- |        |   |
|--------|---|
| 22.448 | LINE, BRAKE MASTER CYLINDER FILLER RETURN<br>라인         |
| 22.449 | CLAMP, BRAKE MASTER CYLINDER FILLER RETURN LINE<br>클램프  |
| 22.450 | FITTING, BRAKE MASTER CYLINDER FILLER RETURN LINE<br>피팅 |
| 22.616 | FITTING, BRAKE ENERGIZER SUMP RETURN LINE<br>피팅         |
| 22.628 | LINE, BRAKE LINE RETURN TO SUMP<br>라인                   |
| 28.033 | FITTING, SUMP RETURN<br>피팅                              |
| 28.498 | LINE, SUMP RETURN<br>라인                                 |
| 28.506 | LINE, SUMP RETURN<br>라인                                 |
| 29.386 | LINE, SUMP BREATHER<br>라인                               |

---

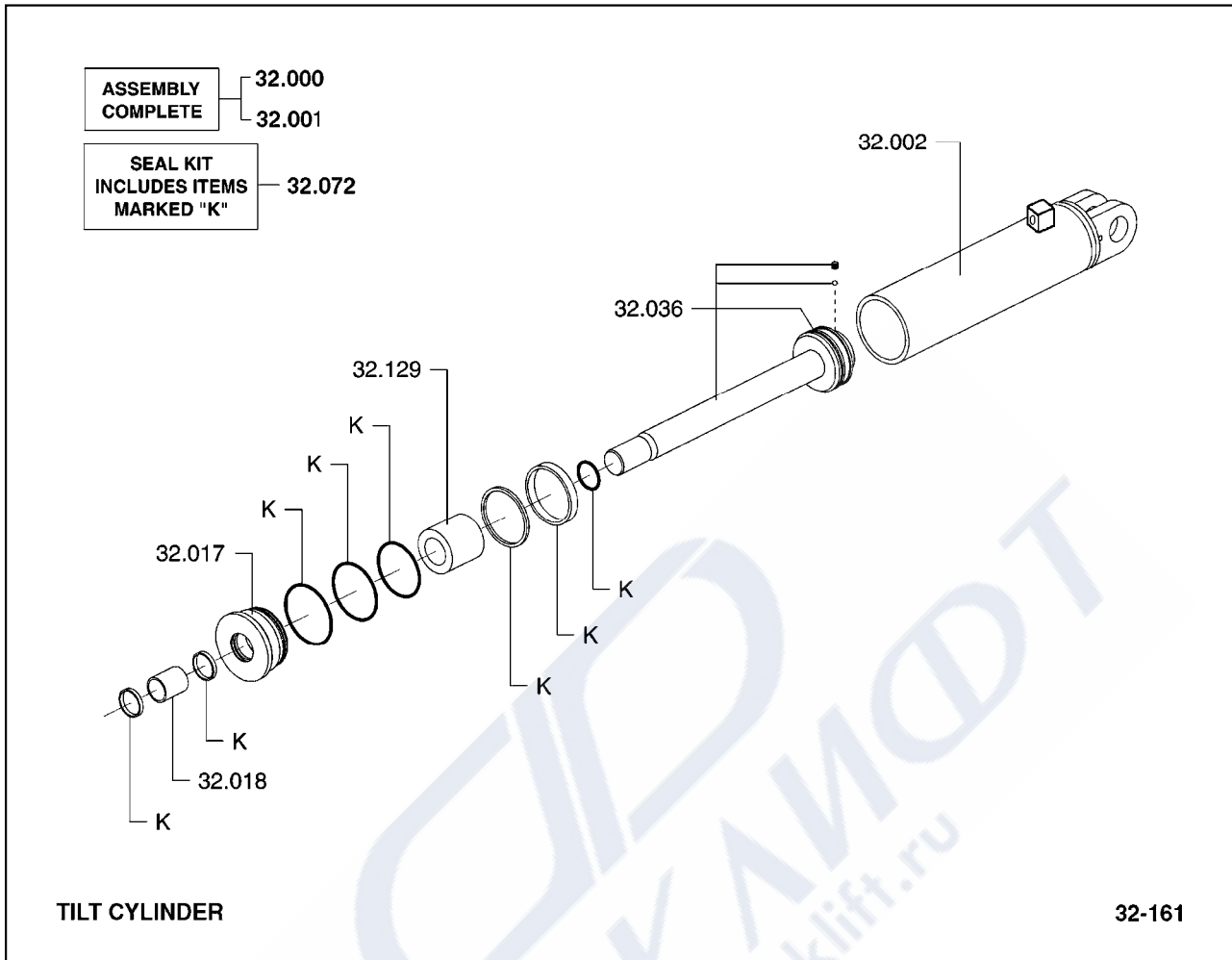
29.781	CLAMP, SUMP BREATHER LINE 클램프
31.362	PLUG, SUMP RETURN LINE FITTING 플러그
31.387	CLAMP, MAIN VALVE TO SUMP LINE 클램프
31.445	FITTING, MAIN VALVE TO FILTER LINE 피팅
31.595	CLAMP, SUMP RETURN LINE FITTING 클램프
31.827	LINE, FILTER INLET 라인
33.716	FITTING, SUMP RETURN LINE 피팅



32.000	CYLINDER ASSEMBLY, TILT 실린더
32.001	TILT CYLINDER ASSEMBLY (LH) 틸트실린더
32.027	END, RH TILT CYLINDER ROD 엔드
32.029	FASTENER, TILT CYLINDER ROD END 패스너
32.030	PIN, TILT CYLINDER TO UPRIGHT 핀
32.032	FITTING, TILT CYLINDER TO UPRIGHT PIN LUB 피팅
32.033	PIN, TILT CYLINDER REAR MOUNTING RH 핀
32.035	FITTING, TILT CYLINDER TO FRAME PIN LUB 피팅
32.043	BEARING, TILT CYLINDER FRAME MOUNTING 베어링

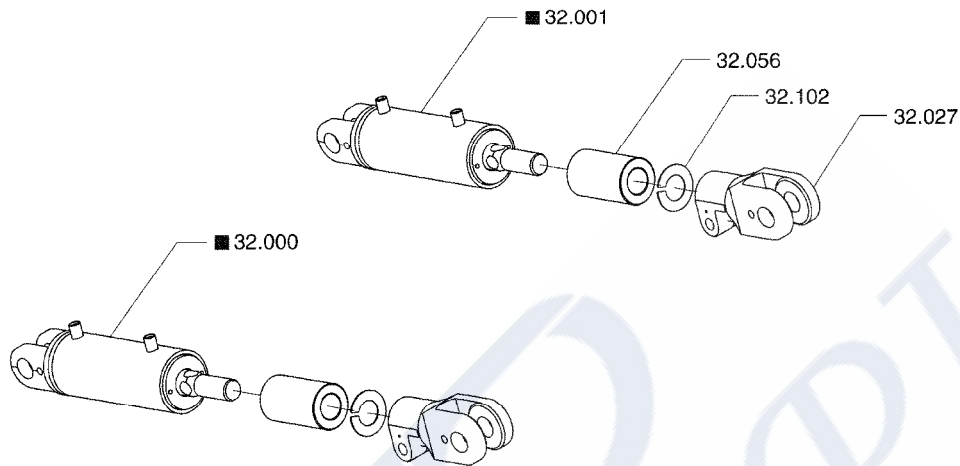
32.053	BEARING, TILT CYLINDER ROD END 베어링
97.214	FASTENER, TILT CYLINDER TO FRAME PIN 패스너
97.224	FASTENER, TILT CYLINDER TO UPRIGHT PIN 패스너





32.000	CYLINDER ASSEMBLY, TILT 실린더
32.001	TILT CYLINDER ASSEMBLY (LH) 틸트실린더
32.002	CYLINDER ASSEMBLY, WELDED 실린더
32.017	GLAND, TILT CYLINDER 그랜드
32.018	BUSHING, TILT CYLINDER GLAND 부싱
32.036	ROD & PISTON ASSEMBLY, TILT CYLINDER 로드& 피스톤
32.072	PACKING KIT, TILT CYLINDER 패킹키트
32.129	SPACER, TILT CYLINDER BARREL END 스페이서

■ INDICATES AN ASSEMBLY  
HAVING SERVICEABLE  
COMPONENTS ILLUSTRATED  
ELSEWHERE

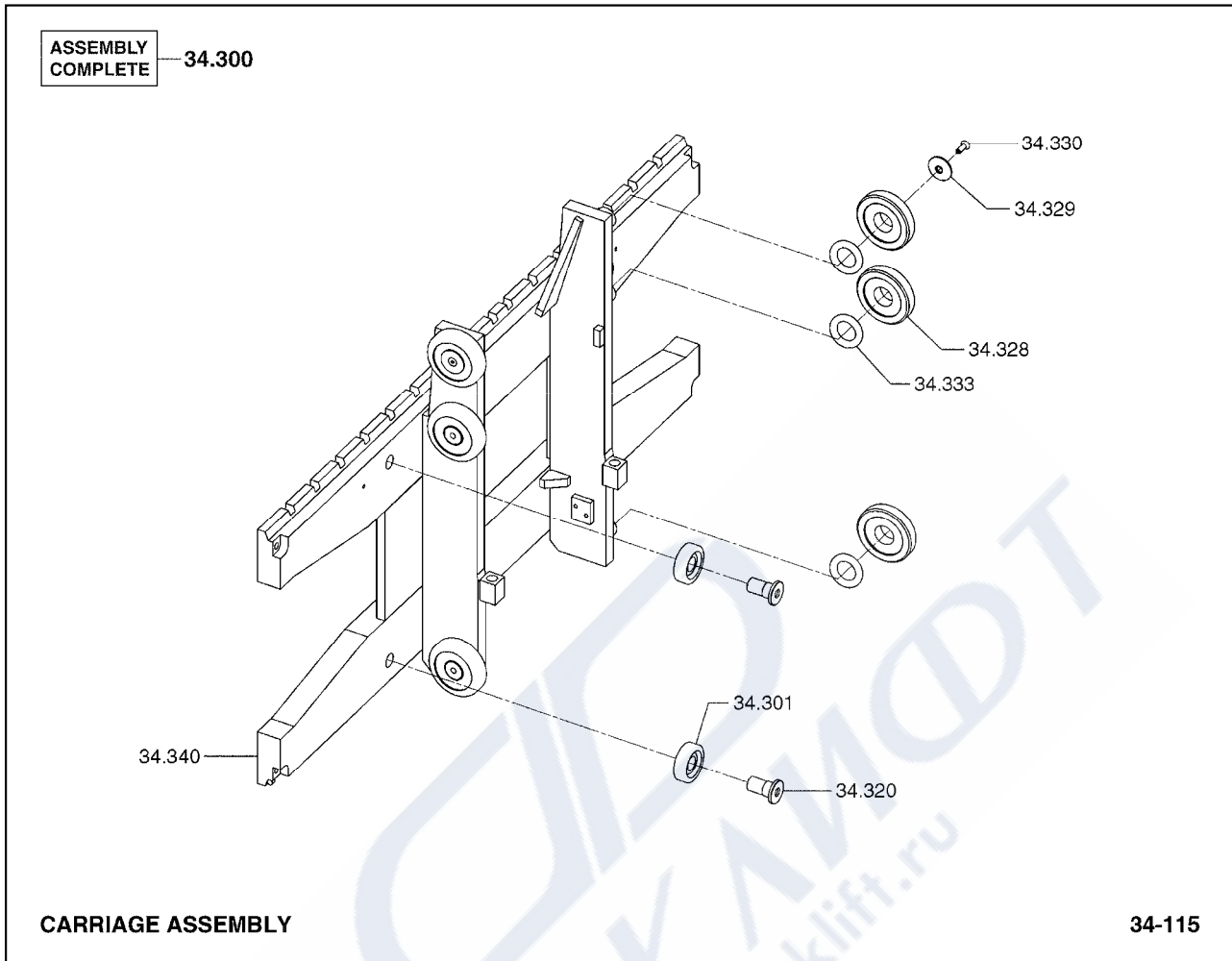


TILT AMOUNT GP

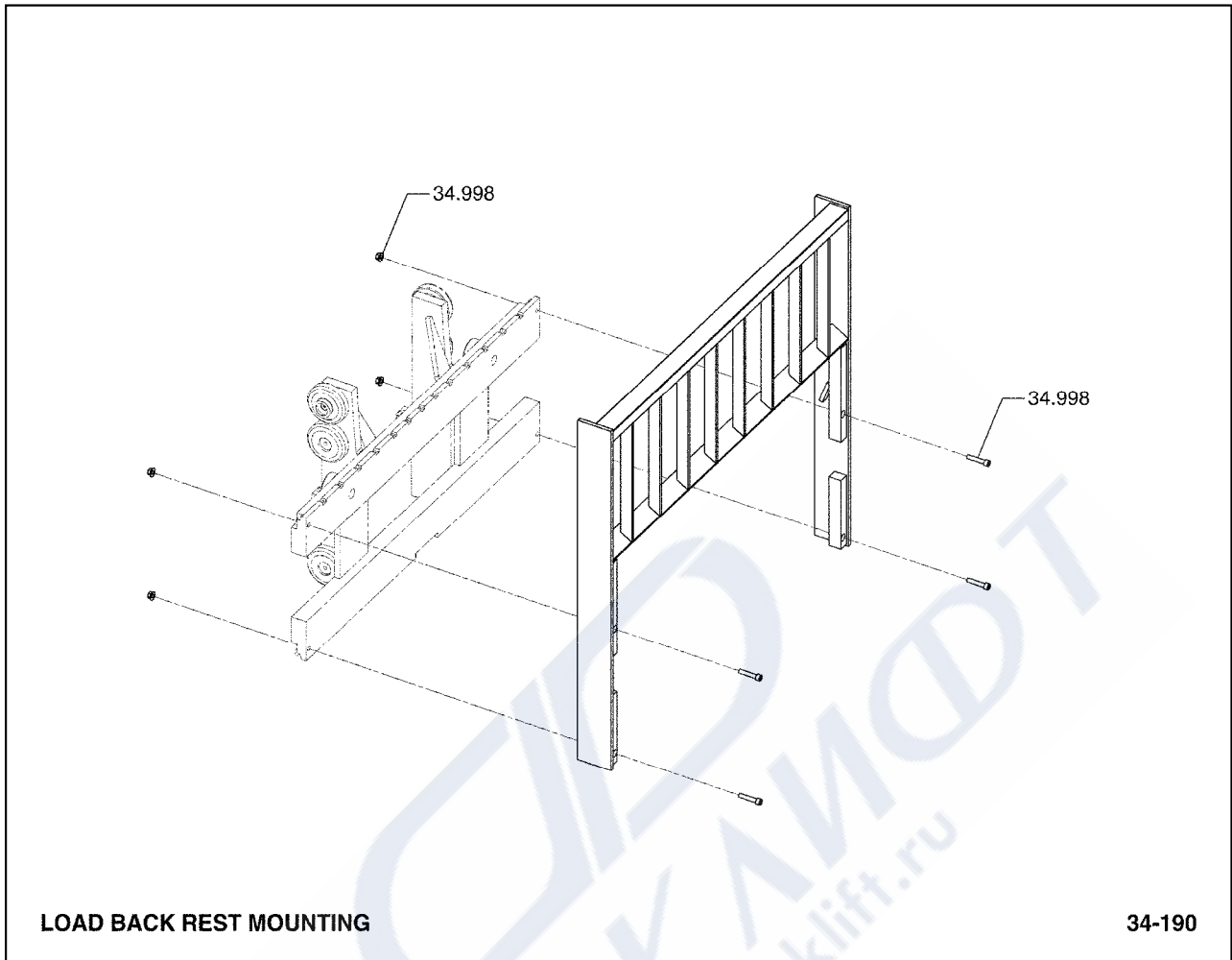
32-167

32.000	CYLINDER ASSEMBLY, TILT 실린더
32.001	TILT CYLINDER ASSEMBLY (LH) 틸트실린더
32.027	END, RH TILT CYLINDER ROD 엔드
32.056	SPACER, TILT CYLINDER ROD END 스페이서
32.102	SHIM, TILT CYLINDER STROKE ADJUSTING 심

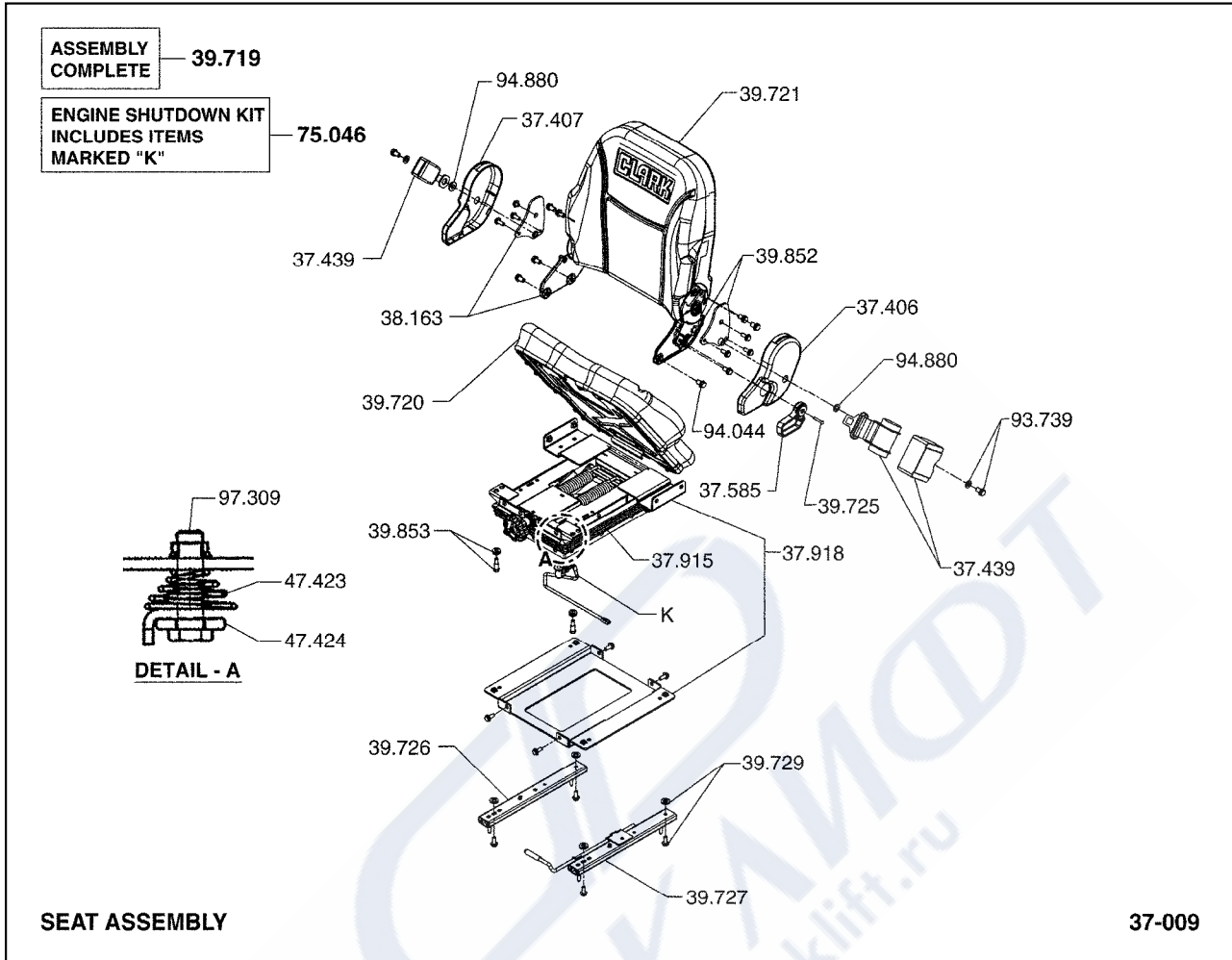




34.300	ASSEMBLY, FORK BARS & CARRIAGE 캐리지
34.301	ROLLER, CARRIAGE OUTER THRUST 롤러
34.320	SHAFT, CARRIAGE OUTER THRUST ROLLER 샤프트
34.328	ROLLER, CARRIAGE CAPTIVE 롤러
34.329	RETAINER, CARRIAGE CAPTIVE ROLLER 리테이너
34.330	FASTENER, CARRIAGE CAPTIVE ROLLER RETAINER 패스너
34.333	SHIM, CARRIAGE ROLLER 심
34.340	CARRIAGE WELDED ASSEMBLY 캐리지용접물



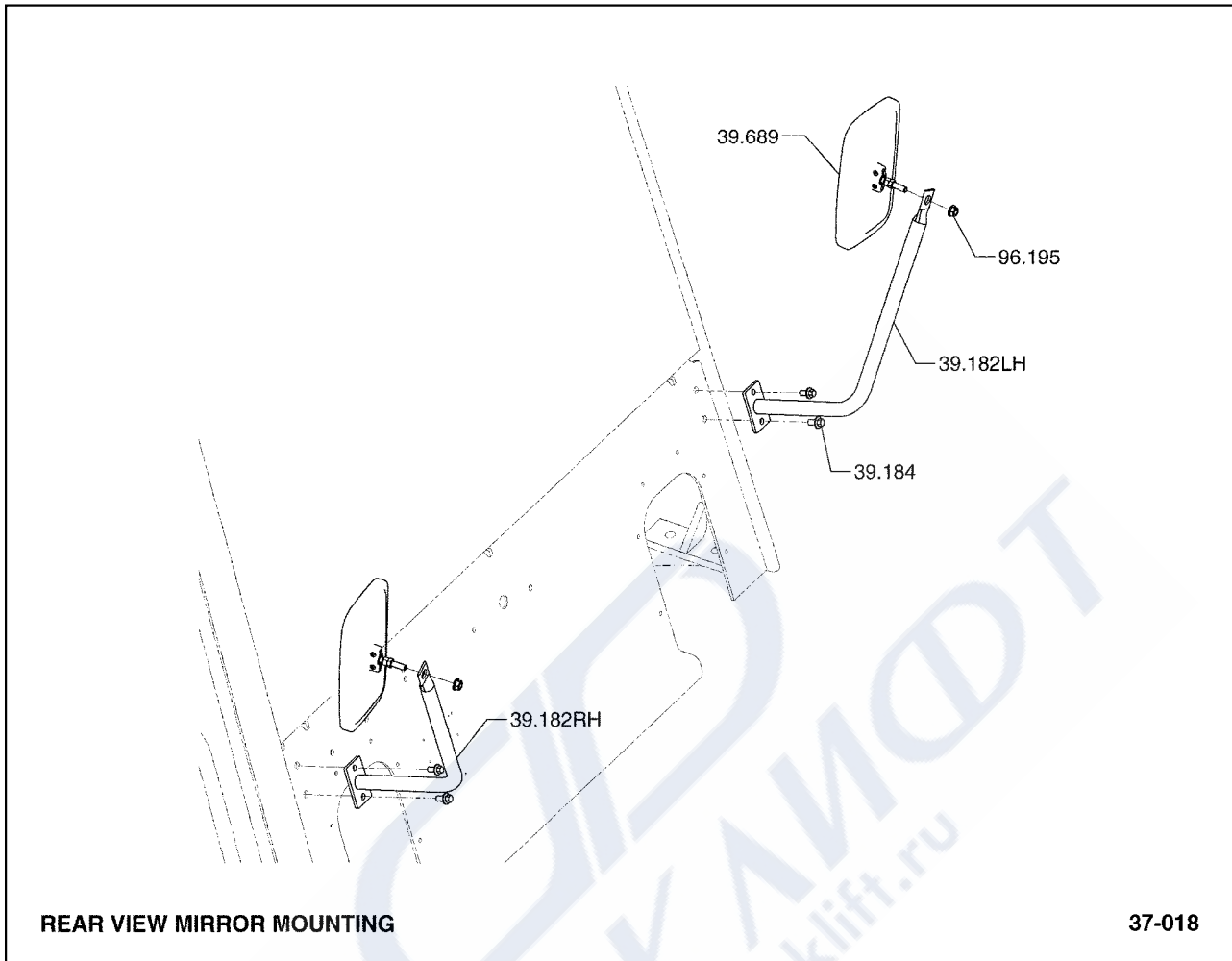
34.998 FASTENER, LOAD SAFETY BACK REST  
패스너



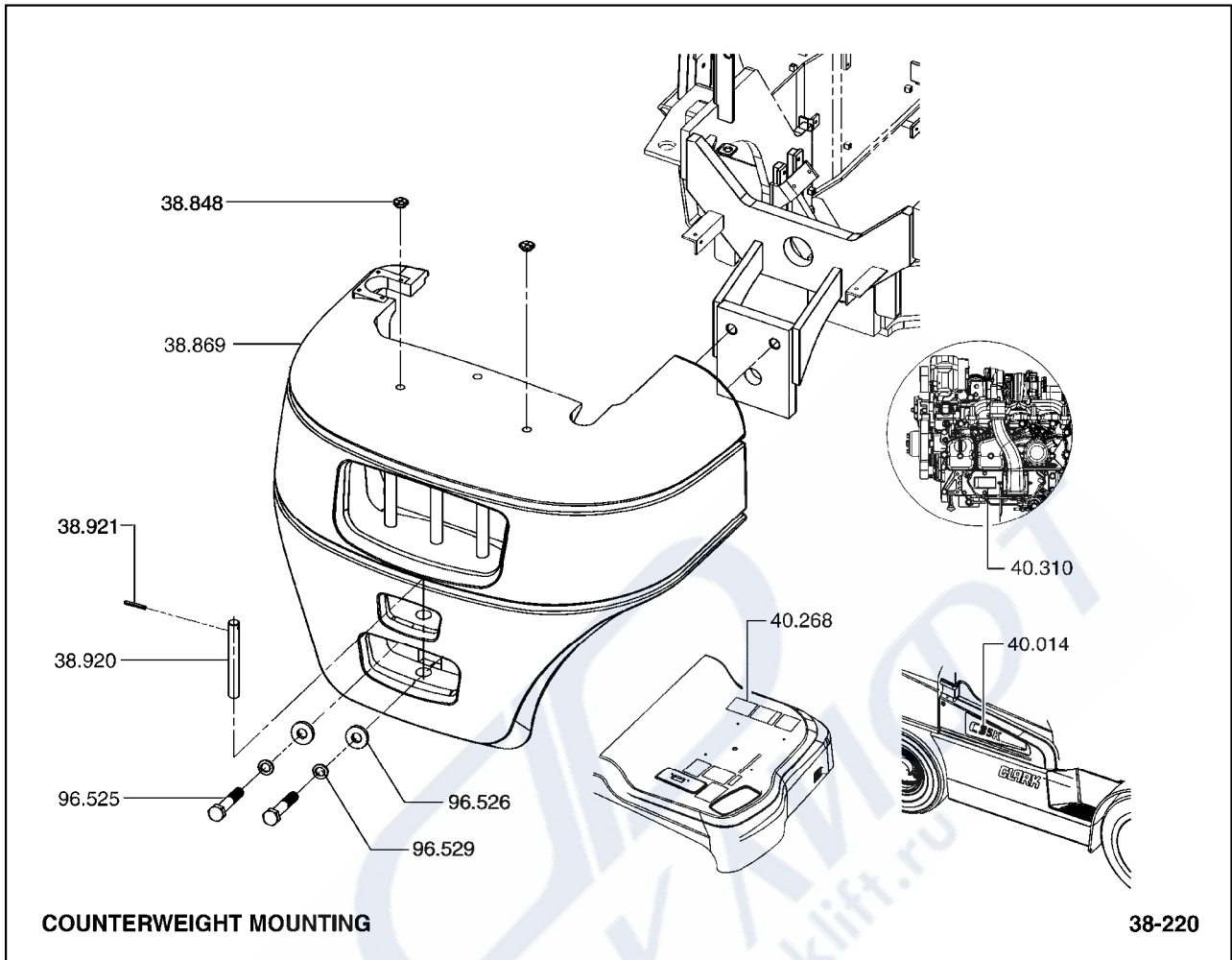
- 37.406 BRACKET, SEAT BACK REST COVER LH  
브라켓
- 37.407 BRACKET, SEAT BACK REST COVER RH  
브라켓
- 37.439 SAFETY BELT, SEAT  
안전벨트
- 37.585 KNOB, SEAT BACK REST CUSHION ADJUSTOR  
노브
- 37.915 SUSPENSION COVER, SEAT SUSPENSION  
서스펜션커버
- 37.918 SUSPENSION ASSEMBLY, SEAT  
서스펜션
- 38.163 BRACKET, SEAT SUPPORT RH  
브라켓
- 39.719 SEAT ASSEMBLY  
시트
- 39.720 CUSHION, SEAT  
쿠션

---

39.721	CUSHION, SEAT BACK REST 쿠션
39.725	FASTENER, SEAT BACK REST CLIP TO FRAME 패스너
39.726	ADJUSTOR, SEAT 어드저스터
39.727	ADJUSTOR, SEAT WITH LATCH 어드저스터
39.729	FASTENER, ADJUSTOR TO SEAT SUPPORT 패스너
39.852	BRACKET, SEAT SUPPORT LH 브라켓
39.853	FASTENER, SEAT SUPPORT BRACKET 패스너
47.423	SPRING, SEAT SWITCH 스프링
47.424	GROMMET, SEAT SWITCH SPRING 그로멧
75.046	KIT, SEAT ACTUATED ENGINE SHUTDOWN 키트
93.739	FASTENER, SAFETY BELT ASSEMBLY 패스너
94.044	FASTENER, SEAT CUSHION MOUNTING PLATE 패스너
94.880	FASTENER, SEAT SUPPORT CATCH BRACKET 패스너
97.309	FASTENER, SEAT SWITCH SPRING 패스너



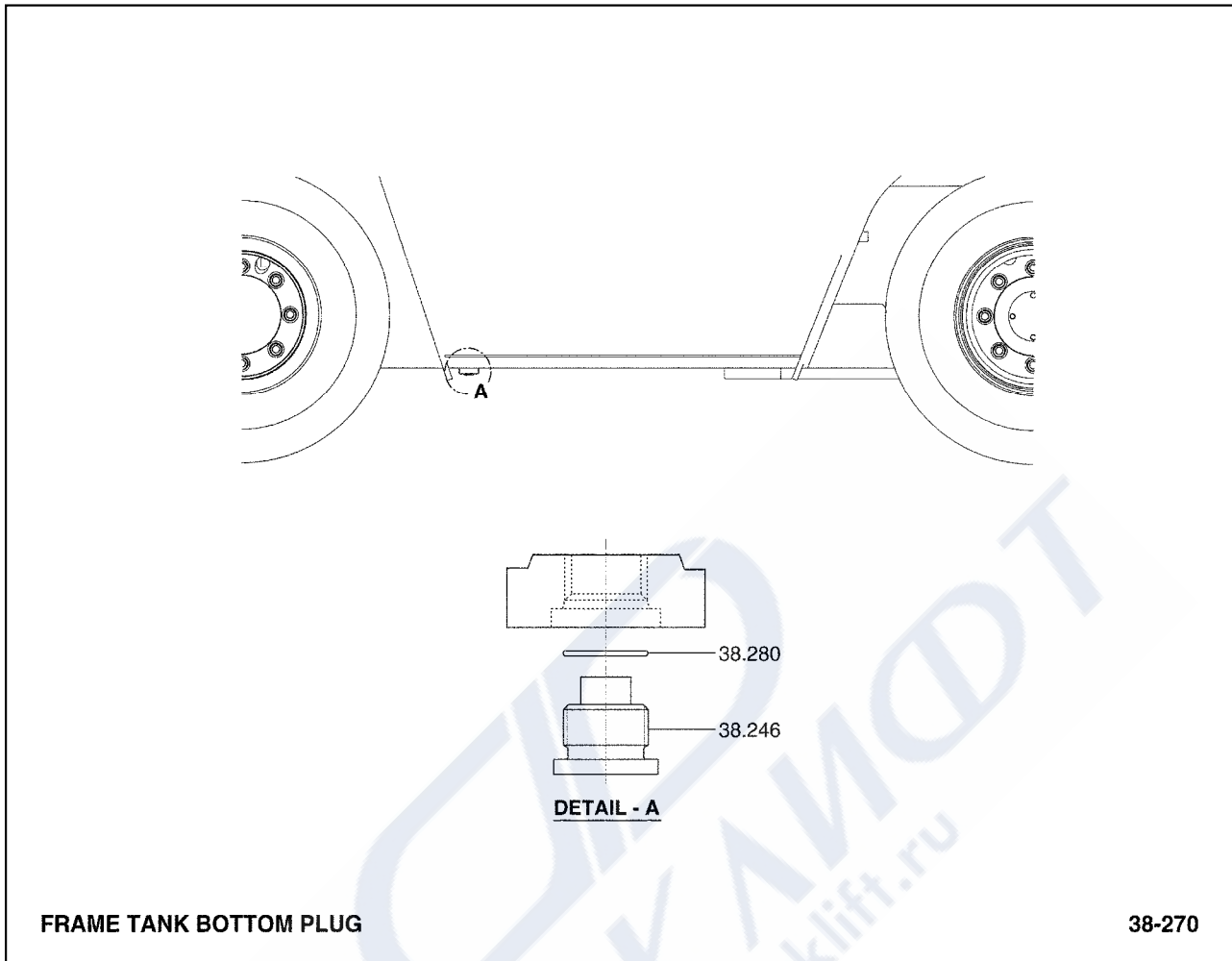
- |        |   |
|--------|---|
| 39.182 | BRACKET, REAR VIEW MIRROR MOUNTING<br>브라켓 |
| 39.184 | FASTENER, REAR VIEW MIRROR<br>패스너         |
| 39.689 | MIRROR, REAR VIEW<br>미러                   |
| 96.195 | NUT, REAR VIEW MIRROR MOUNTING<br>너트      |



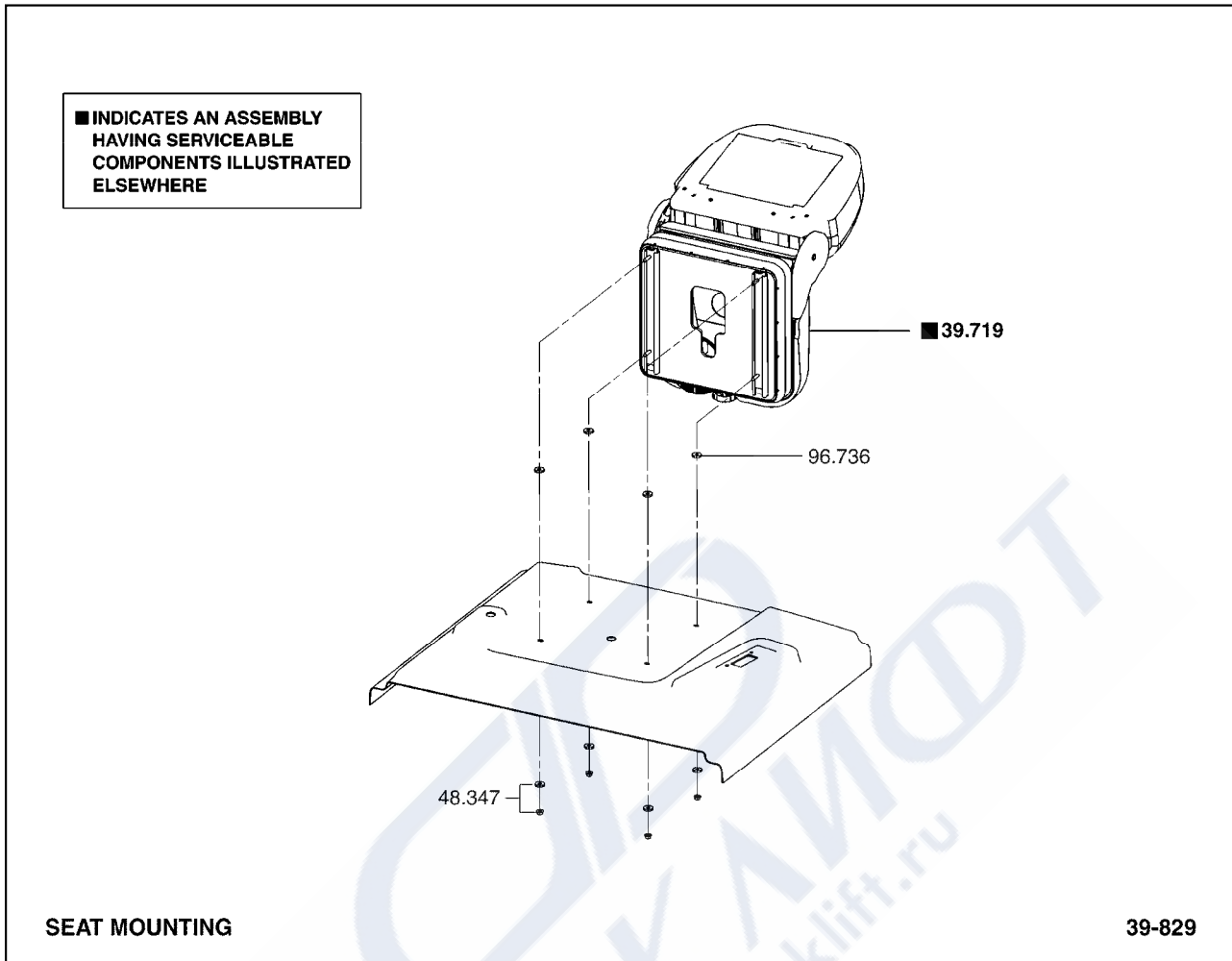
COUNTERWEIGHT MOUNTING

38-220

- |        |  |
|--------|--|
| 38.853 | SHIM, COUNTERWEIGHT<br>십               |
| 38.869 | COUNTERWEIGHT<br>카운터웨이트                |
| 38.870 | FASTENER, COUNTERWEIGHT (LOWER)<br>패스너 |
| 38.920 | PIN, COUPLER<br>핀                      |
| 38.921 | PIN, COUPLER PIN CROSS<br>핀            |
| 39.655 | PLUG, FUEL TANK FILLER HOLE<br>플러그     |

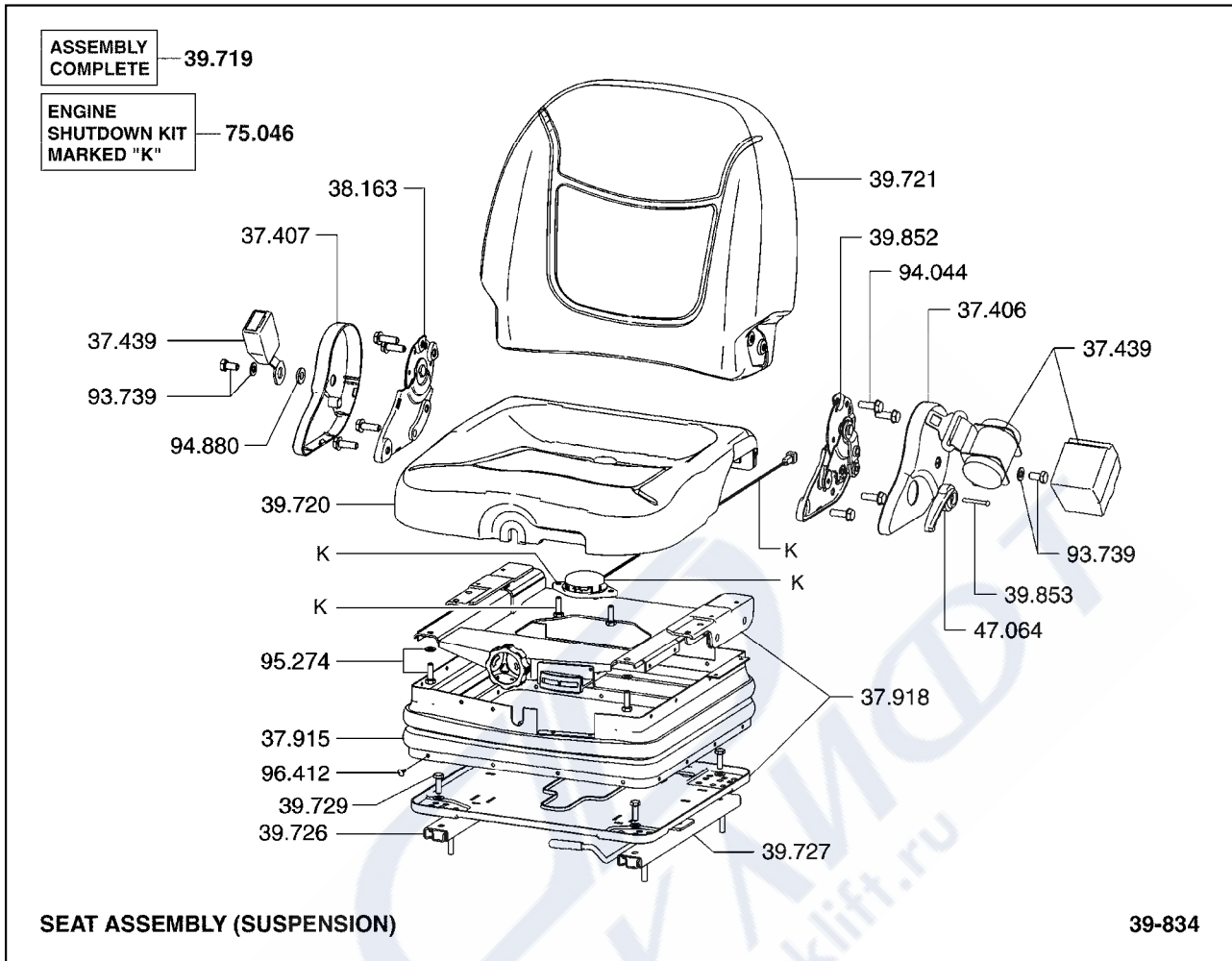


- 38.246 PLUG, FRAME BOTTOM MAGNETIC  
플러그
- 38.280 SEAL, FRAME BOTTOM MAGNETIC PLUG  
씰



39.719	SEAT ASSEMBLY 시트
48.347	FASTENER, SEAT ASSEMBLY 패스너
96.736	WASHER, SEAT ASSEMBLY FASTENER 와셔

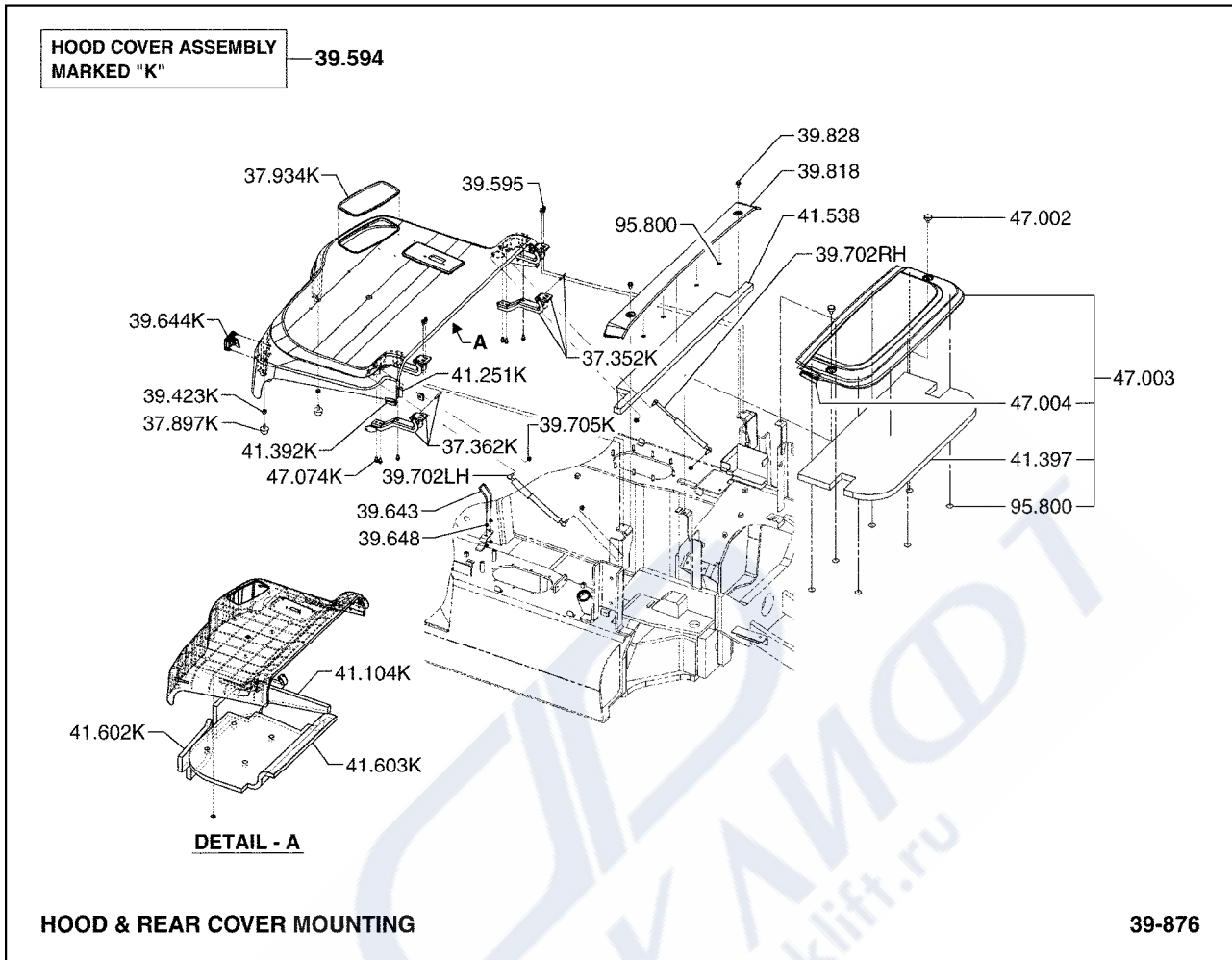




- 37.406 BRACKET, SEAT BACK REST COVER LH  
브라켓
- 37.407 BRACKET, SEAT BACK REST COVER RH  
브라켓
- 37.439 SAFETY BELT, SEAT  
안전벨트
- 37.915 SUSPENSION COVER, SEAT SUSPENSION  
서스펜션커버
- 37.918 SUSPENSION ASSEMBLY, SEAT  
서스펜션
- 38.163 BRACKET, SEAT SUPPORT RH  
브라켓
- 39.719 SEAT ASSEMBLY  
시트
- 39.720 CUSHION, SEAT  
쿠션
- 39.721 CUSHION, SEAT BACK REST  
쿠션

---

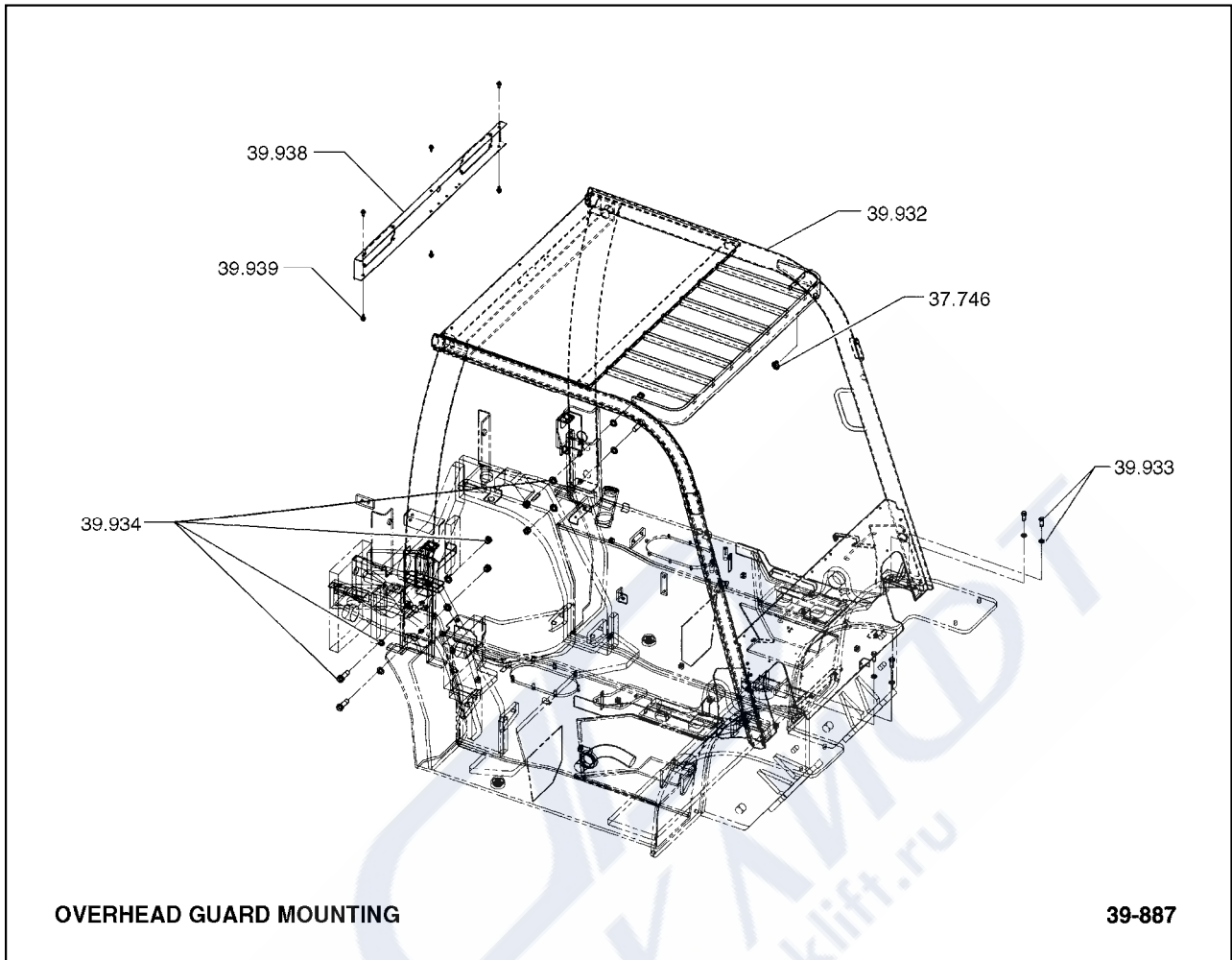
39.726	ADJUSTOR, SEAT 어드저스터
39.727	ADJUSTOR, SEAT WITH LATCH 어드저스터
39.729	FASTENER, ADJUSTOR TO SEAT SUPPORT 패스너
39.852	BRACKET, SEAT SUPPORT LH 브라켓
39.853	FASTENER, SEAT SUPPORT BRACKET 패스너
47.064	KNOB, SEAT ASSEMBLY WEIGHT ADJUSTER 노브
75.046	KIT, SEAT ACTUATED ENGINE SHUTDOWN 키트
93.739	FASTENER, SAFETY BELT ASSEMBLY 패스너
94.044	FASTENER, SEAT CUSHION MOUNTING PLATE 패스너
94.880	FASTENER, SEAT SUPPORT CATCH BRACKET 패스너
95.274	FASTENER, SEAT CUSHION SUSPENSION SUPPORT 패스너
96.412	FASTENER, SEAT SUSPENSION BACK SIDE COVER 패스너



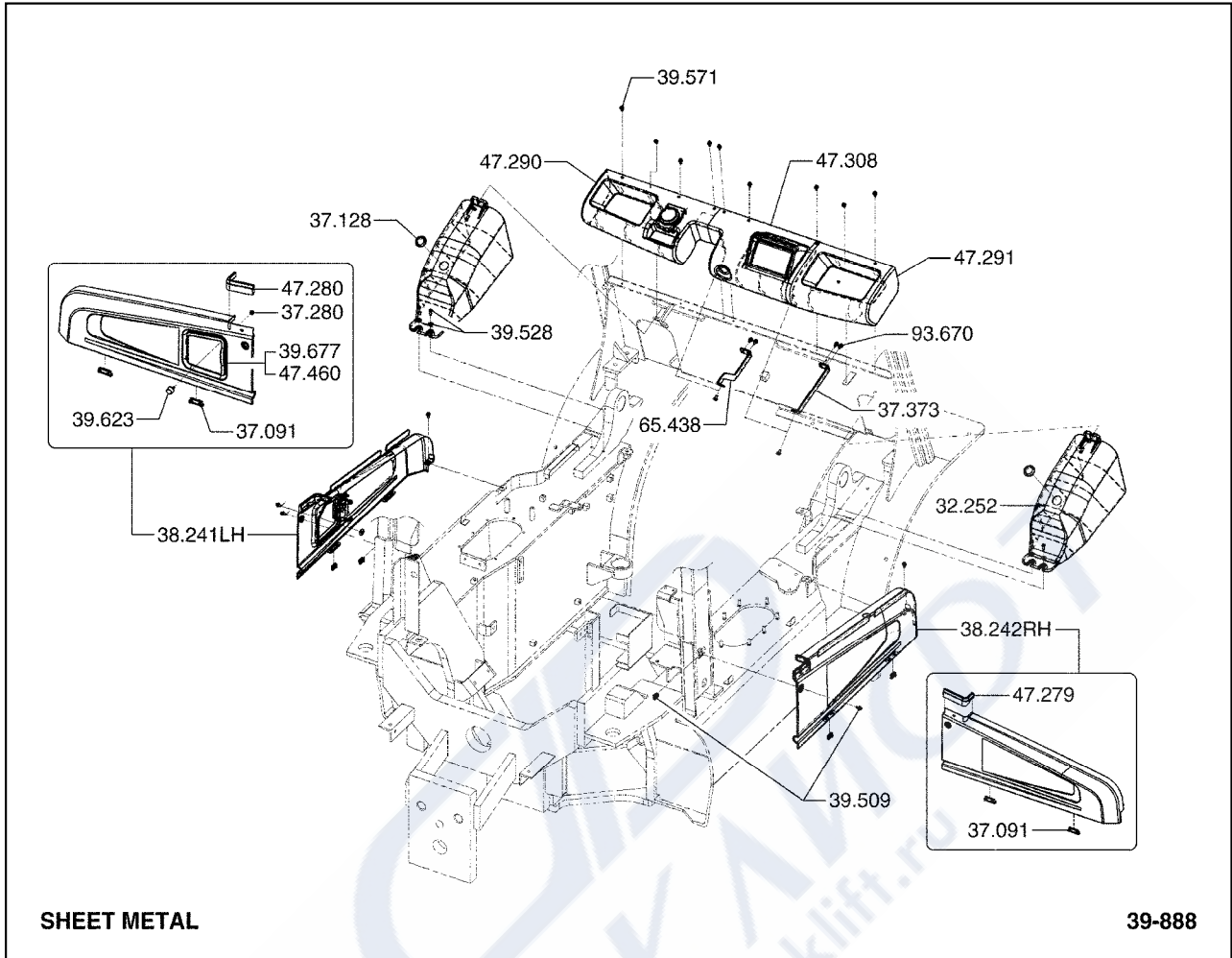
- |        |                                      |
|--------|--------------------------------------|
| 37.352 | BRACKET, TOP HOOD SPRING (RH)<br>브라켓 |
| 37.362 | BRACKET, TOP HOOD SPRING (LH)<br>브라켓 |
| 37.897 | BUMPER, TOP HOOD<br>범퍼               |
| 37.934 | SEAL, HOOD ACCESS COVER<br>씰         |
| 39.423 | FASTENER, TOP HOOD<br>패스너            |
| 39.594 | HOOD, TOP<br>후드                      |
| 39.595 | FASTENER, TOP HOOD<br>패스너            |
| 39.643 | CATCH, TOP HOOD LATCH<br>캐치          |
| 39.644 | LATCH, TOP HOOD<br>래치                |

---

39.648	FASTENER, TOP HOOD LATCH CATCH 패스너
39.702	PROP, HOOD 지지대
39.705	FASTENER, HOOD PROP 패스너
39.818	PLATE, REAR HOOD 플레이트
39.828	FASTENER, REAR HOOD PLATE 패스너
41.104	SOUND SEAL, RH SIDE HOOD 사운드씰
41.251	SOUND SEAL, TOP HOOD 사운드씰
41.392	SOUND SEAL, TOP HOOD 사운드씰
41.397	SOUND ABSORBER, RADIATOR COVER 흡음재
41.538	SOUND SEAL, REAR HOOD 사운드씰
41.602	SOUND SEAL, ENGINE HOOD 사운드씰
41.603	SOUND SEAL, ENGINE HOOD 사운드씰
47.002	KNOB, RADIATOR COVER 노브
47.003	COVER, RADIATOR 커버
47.004	SEAL, RADIATOR COVER 씰
47.074	FASTENER, TOP HOOD SPRING BRACKET 패스너
95.800	FASTENER, SOUND SEAL 패스너



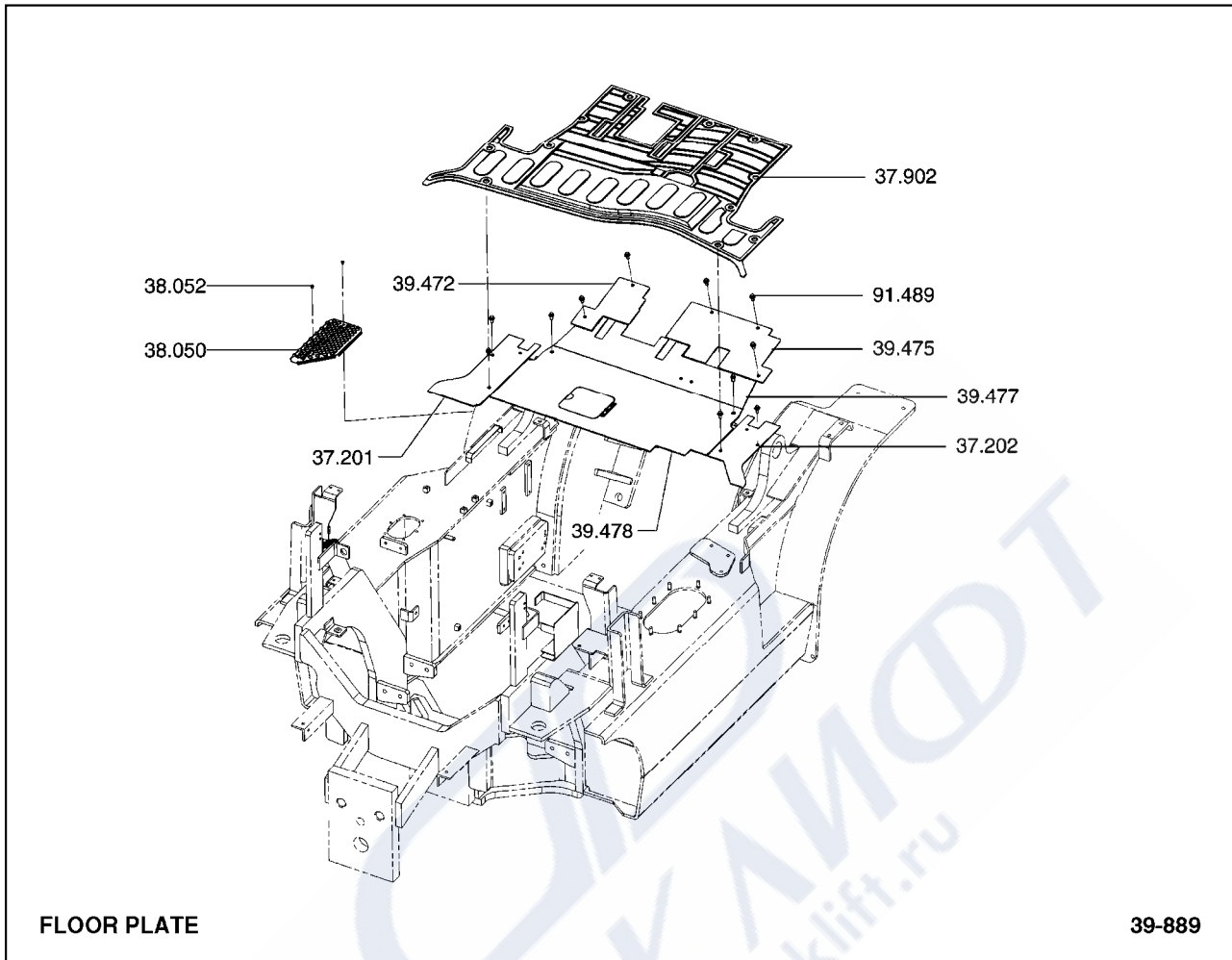
37.746	PLUG, DRIVER OVERHEAD GUARD 플러그
39.932	GUARD, OVERHEAD 가드
39.933	FASTENER, OVERHEAD GUARD 패스너
39.934	FASTENER, OVERHEAD GUARD 패스너
39.938	BRACKET, OVERHEAD GUARD REAR SUPPORT 브라켓
39.939	FASTENER, OVERHEAD GUARD REAR SUPPORT BRACKET 패스너



- |        |  |
|--------|--|
| 32.252 | COVER, TILT CYLINDER PISTON ROD BOOT<br>커버   |
| 37.091 | DAMPENER, SIDE MEMBER VIBRATION<br>댐프너       |
| 37.128 | PLUG, TILT CYLINDER COVER ACCESS HOLE<br>플러그 |
| 37.280 | CAPSCREW, FRAME SIDE PLATE<br>캡스크류           |
| 37.373 | BRACKET, CONTROL PANEL COVER MOUNTING<br>브라켓 |
| 38.241 | COVER ASSEMBLY, SIDE LH<br>커버                |
| 38.242 | COVER ASSEMBLY, SIDE RH<br>커버                |
| 39.509 | FASTENER, SIDE HOOD<br>패스너                   |
| 39.528 | FASTENER, TILT CYLINDER COVER<br>패스너         |

---

39.571	FASTENER, DASH COVER 패스너
39.623	DAMPENER, FRAME SIDE PLATE 댐프너
39.677	DOOR, FUEL FILLER 도어
47.279	RUBBER, SIDE COVER RH 러버
47.280	RUBBER, SIDE COVER LH 러버
47.290	COVER ASSEMBLY, DASH LH 커버
47.291	COVER ASSEMBLY, DASH RH 커버
47.308	COVER ASSEMBLY, DASH CENTER 커버
47.460	HINGE, FUEL FILLER DOOR 힌지
65.438	BRACKET, CONTROL PANEL MOUNTING 브라켓
93.670	FASTENER, CONTROL PANEL COVER MOUNTING BRACKET 패스너



FLOOR PLATE

39-889

37.201	PANEL, LH SIDE 판넬
37.202	PANEL, RH SIDE 판넬
37.902	MAT, FLOORPLATE 매트
38.050	STEP ASSEMBLY, LH 스텝
38.052	FASTENER, STEP FRONT 패스너
39.472	PLATE, FRONT FLOOR LH 플레이트
39.475	PLATE, FRONT FLOOR 플레이트
39.477	PLATE, CENTER FLOOR 플레이트
39.478	PLATE, REAR FLOOR 플레이트

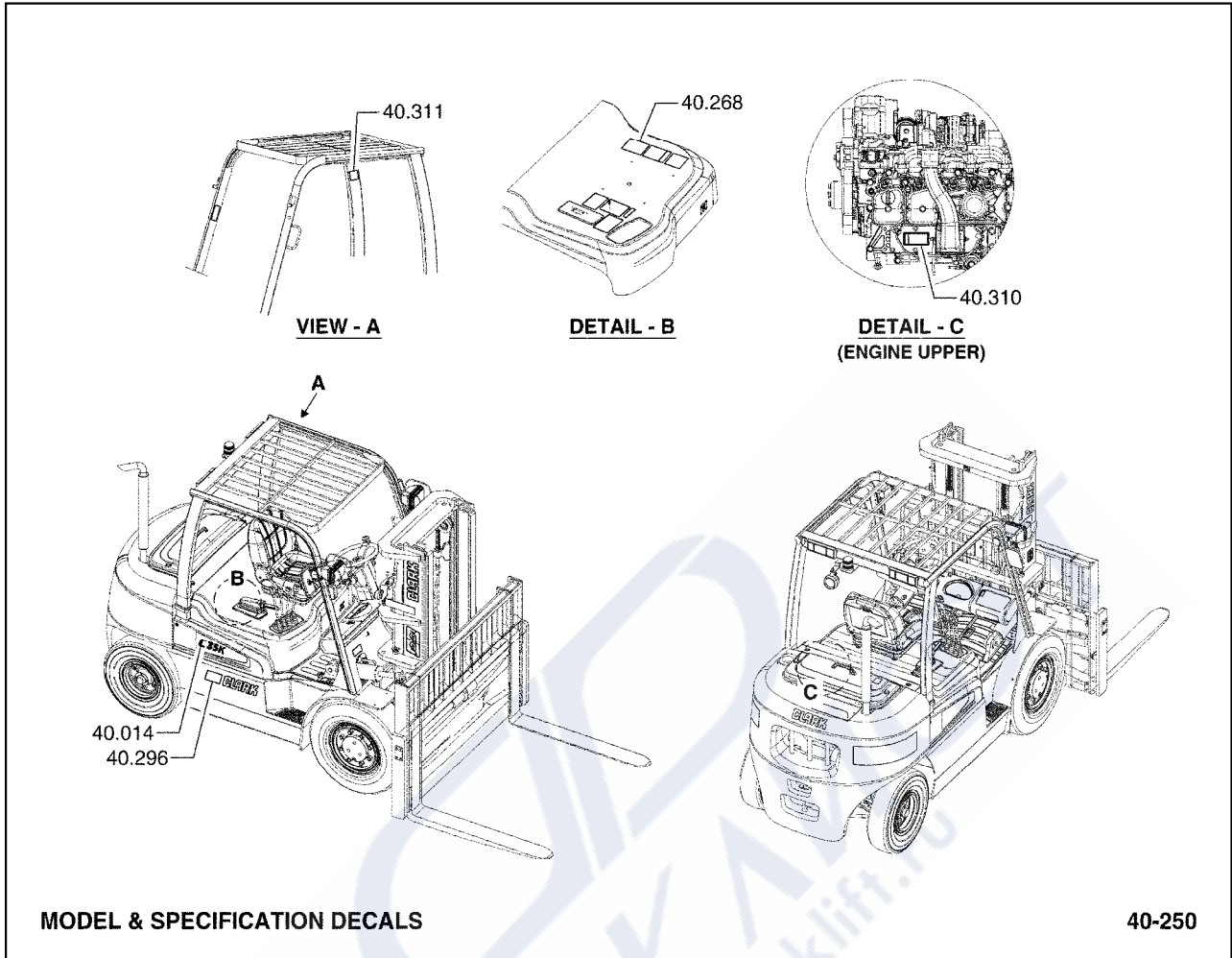
39-889 (1)



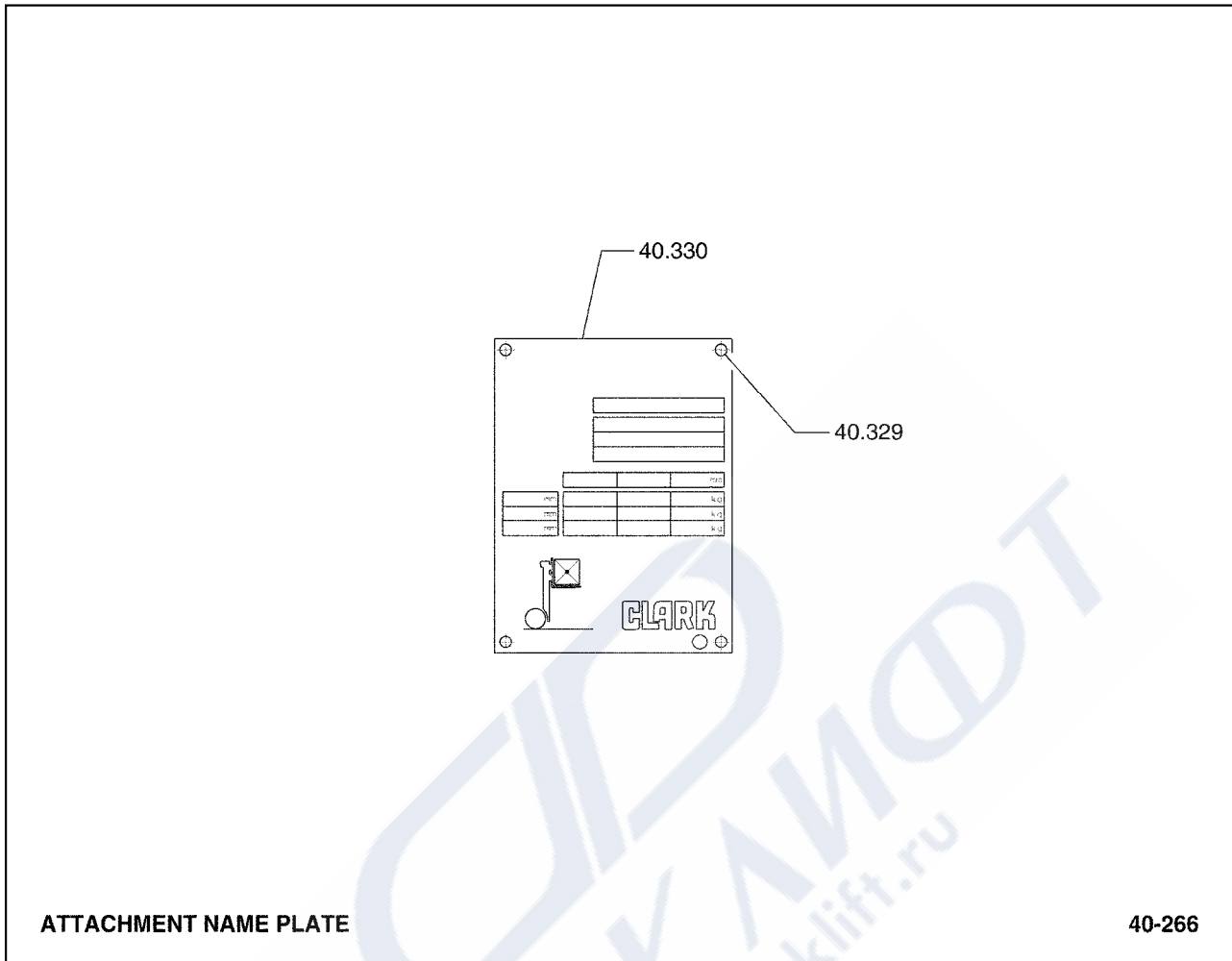
---

91.489 FASTENER, FLOOR PLATE  
패스너

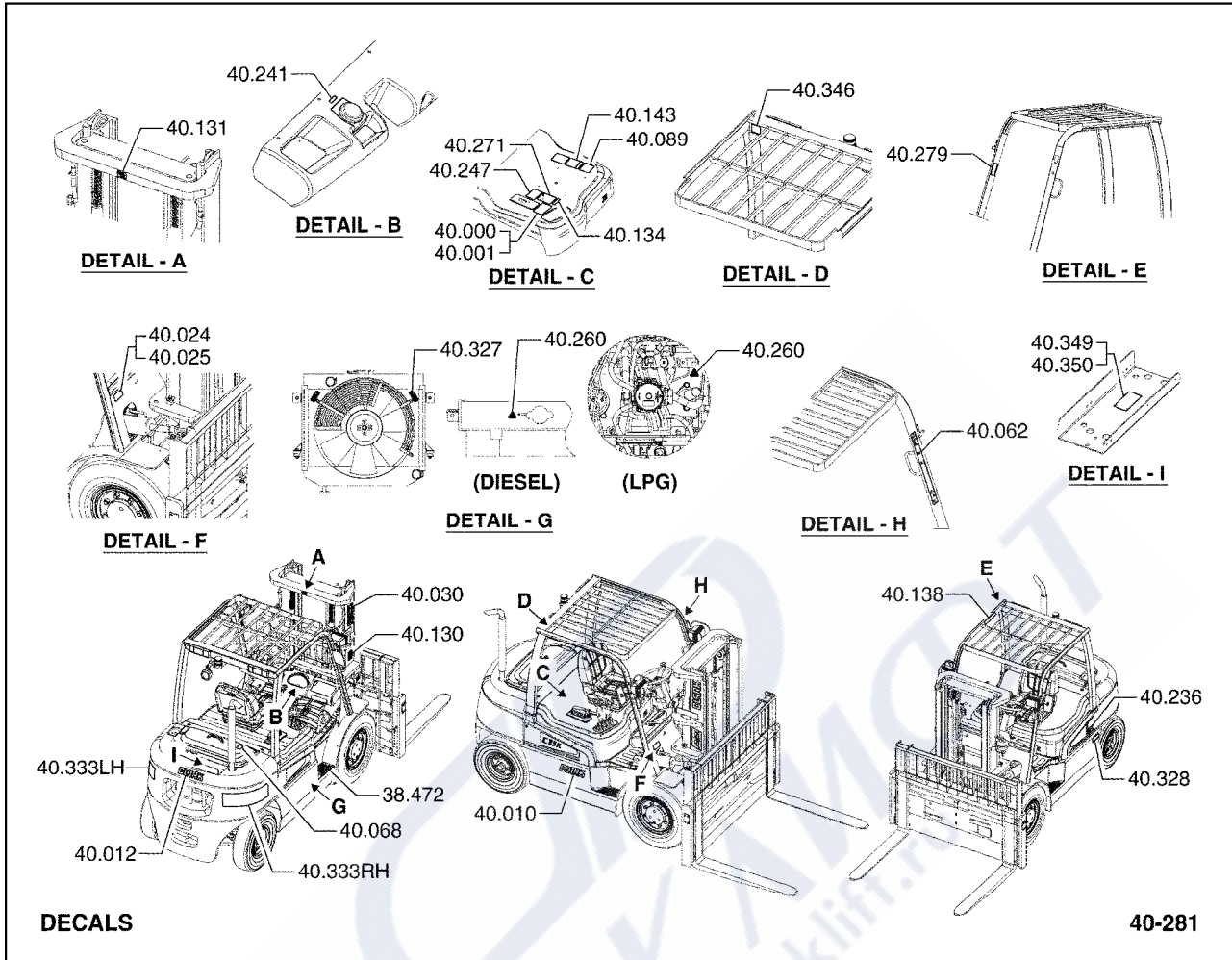
ФОРКЛИФТ  
www.forklift.ru



- |        |                                |
|--------|--------------------------------|
| 40.014 | DECAL, MODEL NAME<br>데칼        |
| 40.268 | DECAL, SPEC<br>데칼              |
| 40.296 | DECAL, TIRE PRESSURE<br>데칼     |
| 40.310 | DECAL, EXHAUST GAS<br>데칼       |
| 40.311 | DECAL, SOUND POWER LEVEL<br>데칼 |



- 40.329 FASTENER, ATTACHMENT NAME PLATE  
패스너
- 40.330 PLATE, ATTACHMENT NAME  
플레이트



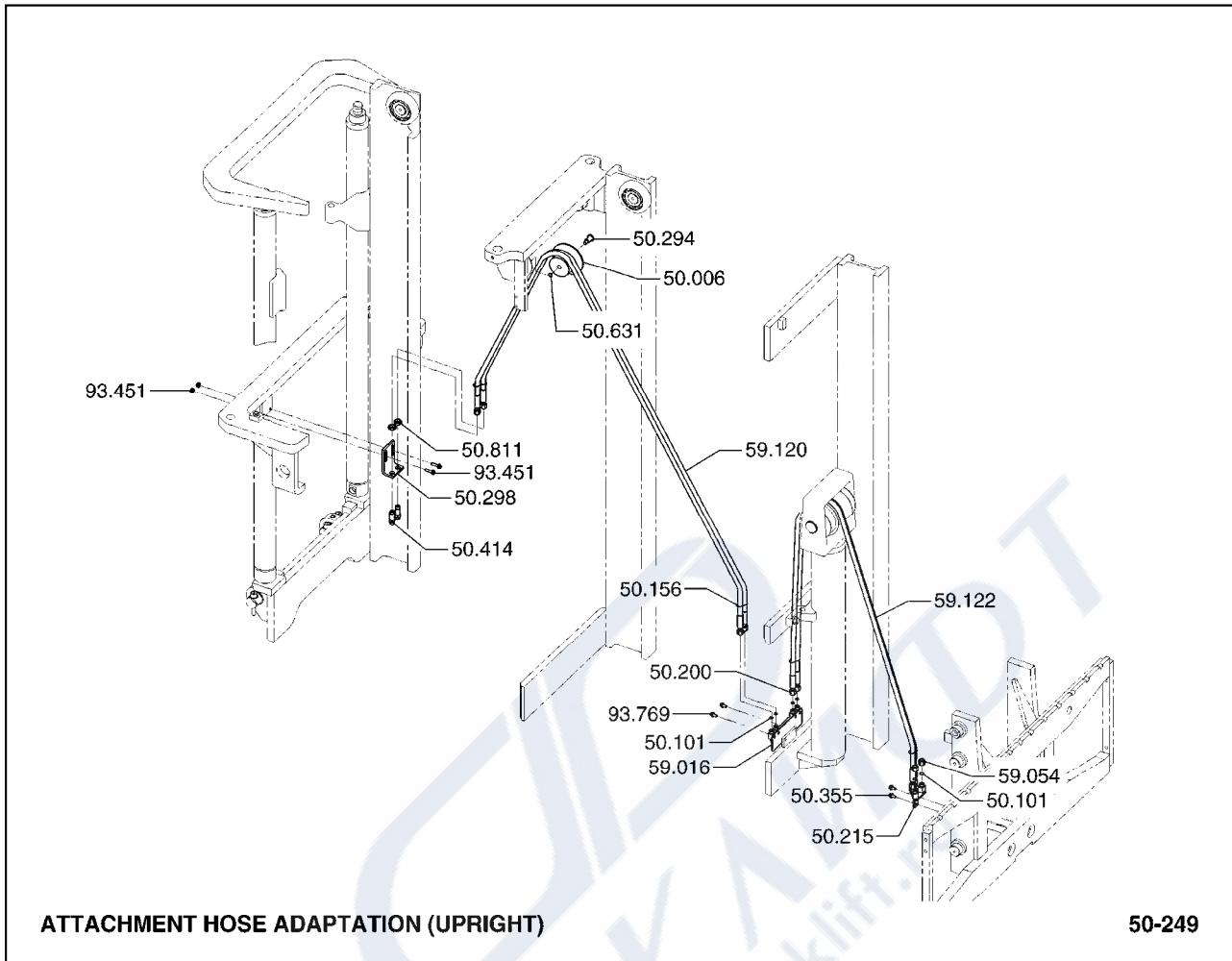
DECALS

40-281

- |        |   |
|--------|---|
| 38.472 | PAD, RH STEP NON-SKID<br>패드               |
| 40.000 | PLATE, CAPACITY & SERIAL NUMBER<br>플레이트   |
| 40.001 | FASTENER, CAPACITY & SERIAL PLATE<br>패스너  |
| 40.010 | DECAL, CLARK<br>데칼                        |
| 40.012 | DECAL, CLARK LOGO-SMALL<br>데칼             |
| 40.024 | PLATE, UNDERWRITERS LABEL<br>플레이트         |
| 40.025 | FASTENER, UNDERWRITERS LABEL PLATE<br>패스너 |
| 40.030 | DECAL, CLARK VERTICAL<br>데칼               |
| 40.062 | DECAL, DRIVERS CAUTION<br>데칼              |

---

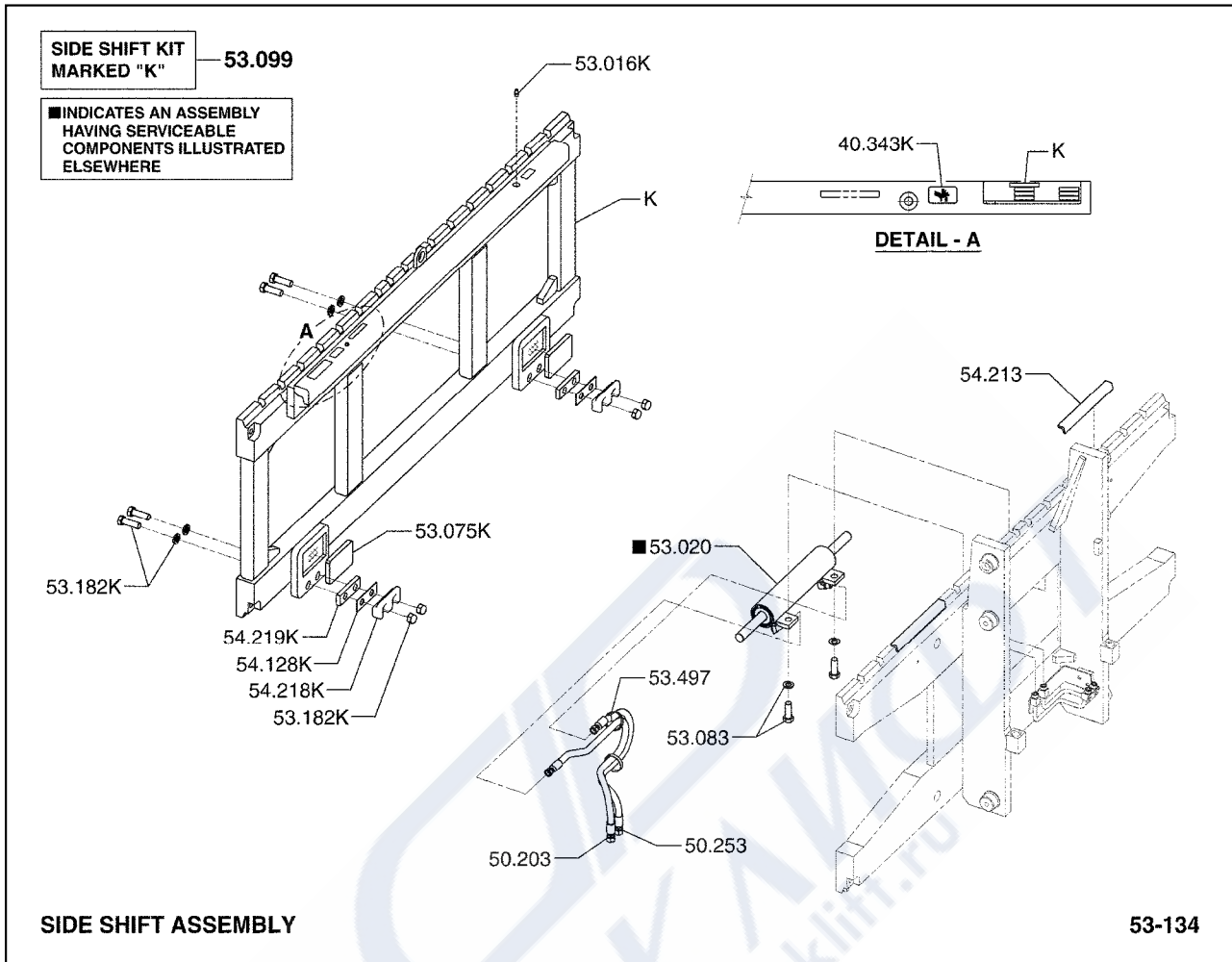
40.068	DECAL, HYD-SYSTEM OIL 데칼
40.130	LEGEND, SAFETY 범례
40.131	LEGEND, SAFETY 범례
40.134	DECAL, OPERATORS MANUAL LOCATION 데칼
40.138	DECAL, SAFETY 데칼
40.143	DECAL, OPERATORS INSTRUCTIONS 데칼
40.158	DECAL, WARNING INDICATOR 데칼
40.236	DECAL, FUEL 데칼
40.241	DECAL, BRAKE OIL SPEC 데칼
40.247	DECAL, LPG FUEL CYL REPLACEMENT PROCEDURE 데칼
40.260	DECAL, HOT SURFACE WARNING 데칼
40.271	DECAL, LP GAS 데칼
40.279	DECAL, STARTING PROCEDURE 데칼
40.327	DECAL, FAN WARNING 데칼
40.328	DECAL, WHEEL NUT WARNING 데칼
40.333	REFLECTOR, COUNTERWEIGHT 리플렉터
40.346	DECAL, OVERHEAD GUARD DROP TEST 데칼
40.349	PLATE, LESS LP TANK 플레이트
40.350	FASTENER, PLATE LESS LP TANK 패스너



50.006	SHEAVE, DEVICE HOSE UPPER 쉬브
50.101	SEAL, DEVICE HOSE SWIVEL COUPLING 씰
50.156	CLIP, DEVICE HOSE 클립
50.200	COUPLING, DEVICE HOSE 커플링
50.215	TERMINAL BLOCK, DEVICE HOSE 터미널블록
50.294	PIVOT, DEVICE HOSE UPPER SHEAVE 피벗
50.298	BRACKET, DEVICE HOSE TERMINAL 브라켓
50.355	FASTENER, DEVICE HOSE TERMINAL BLOCK 패스너
50.414	FITTING, DEVICE HOSE CONNECTOR 피팅

---

50.631	SPACER, DEVICE HOSE SHEAVE 스페이서
50.811	NUT, DEVICE HOSE FITTING 너트
59.016	JUNCTION BLOCK, DEVICE HOSE 정크션 블록
59.054	PLUG, DEVICE HOSE JUNCTION BLOCK 플러그
59.120	LINE, DEVICE HYDRAULIC (INTERMEDIATE RAIL) 라인
59.122	LINE, DEVICE HYDRAULIC (INNER RAIL) 라인
93.451	FASTENER, DEVICE HOSE TERMINAL BRACKET 패스너
93.769	FASTENER, DEVICE LINE JUNCTION BLOCK 패스너

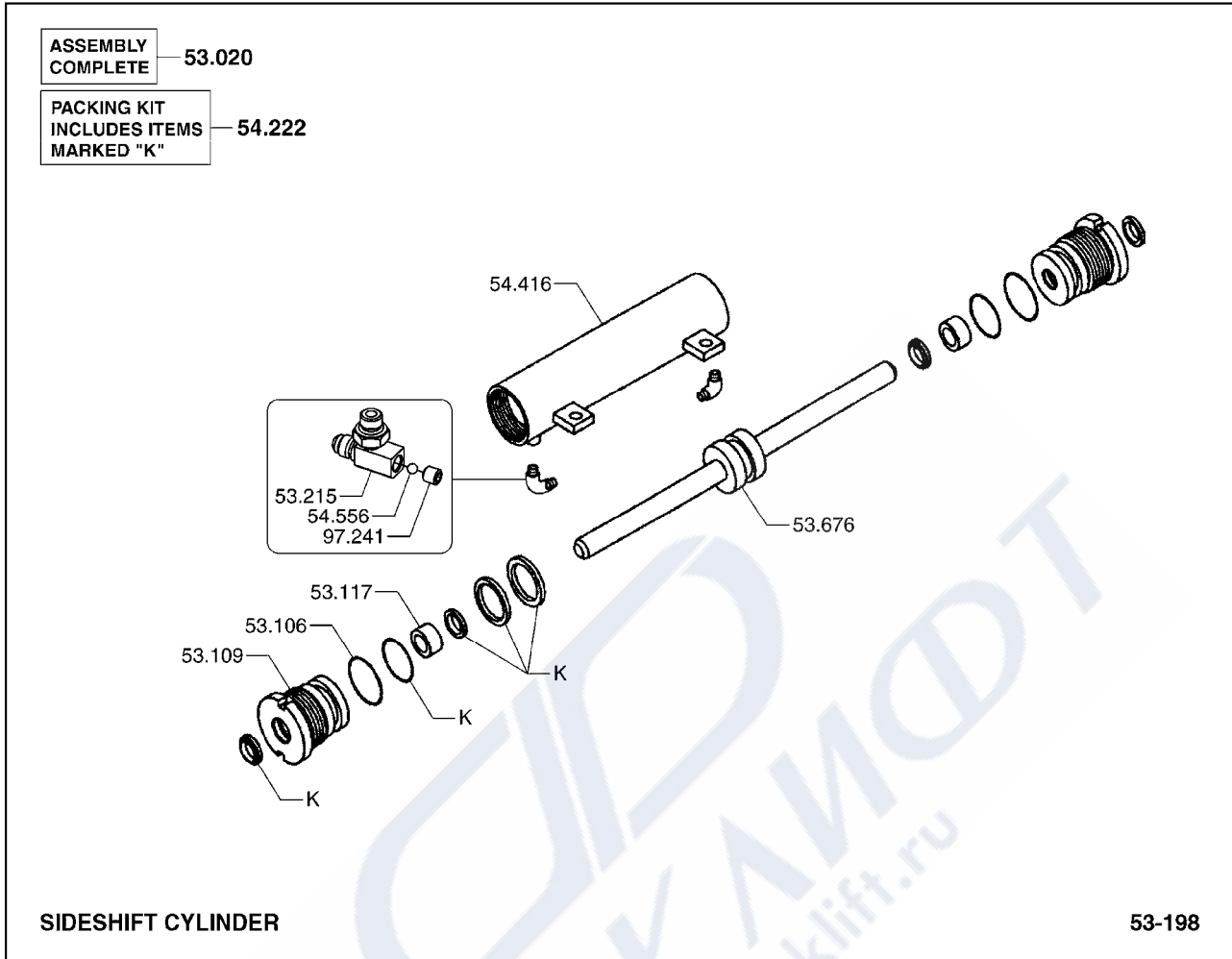


40.343	DECAL, ATTACHMENT SAFETY 데칼
50.203	LINE, DEVICE HYDRAULIC (AT CARRIAGE) 라인
50.253	LINE, DEVICE HYDRAULIC (AT CARRIAGE) 라인
53.016	FITTING-LUB, SIDE SHIFTER MOVABLE FRAME SUPPORT SH 피팅
53.020	CYLINDER ASSEMBLY, SIDE SHIFTER 실린더
53.075	BEARING, SIDE SHIFTER (LOWER) 베어링
53.083	FASTENER, SIDE SHIFTER CYLINDER ANCHOR 패스너
53.099	SIDE SHIFTER, DEVICE 사이드쉬프트
53.182	FASTENER, SIDE SHIFTER HANGER 패스너



53.497	STRAP, DEVICE HOSE 스트랩
54.128	SPACER, SIDE SHIFTER MOVEABLE FRAME BEARING 스페이서
54.213	BEARING, SIDE SHIFTER (UPPER) 베어링
54.218	HOOK, SIDE SHIFTER HANGER 후크
54.219	SPACER, SIDE SHIFTING BASE PLATE HANGER 스페이서

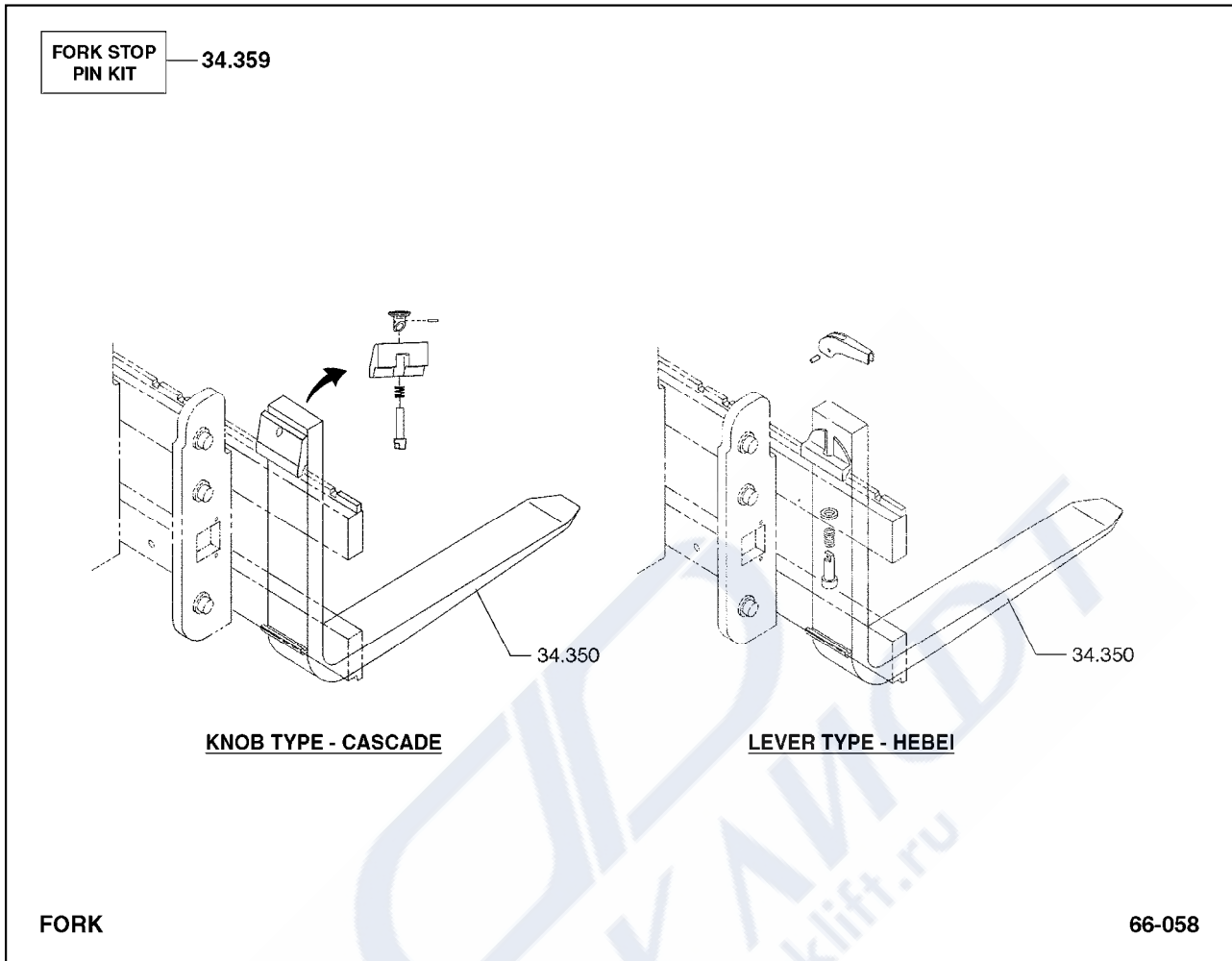




- |        |   |
|--------|---|
| 53.020 | CYLINDER ASSEMBLY, SIDE SHIFTER<br>실린더        |
| 53.109 | GLAND, SIDE SHIFTER CYLINDER<br>그랜드           |
| 53.110 | RETAINER, SIDE SHIFTER CYLINDER GLAND<br>리테이너 |
| 53.117 | BUSHING, SIDE SHIFTER CYLINDER GLAND<br>부싱    |
| 53.215 | FITTING, SIDE SHIFTER CYLINDER ROD PORT<br>피팅 |
| 53.676 | ROD, SIDE SHIFTER CYLINDER PISTON<br>로드       |
| 54.222 | PACKING KIT, SIDE SHIFTER CYLINDER<br>패킹키트    |
| 54.416 | BARREL, SIDE SHIFT CYLINDER<br>배럴             |
| 54.556 | BALL, SIDE SHIFTER CYLINDER ROD PORT<br>볼     |

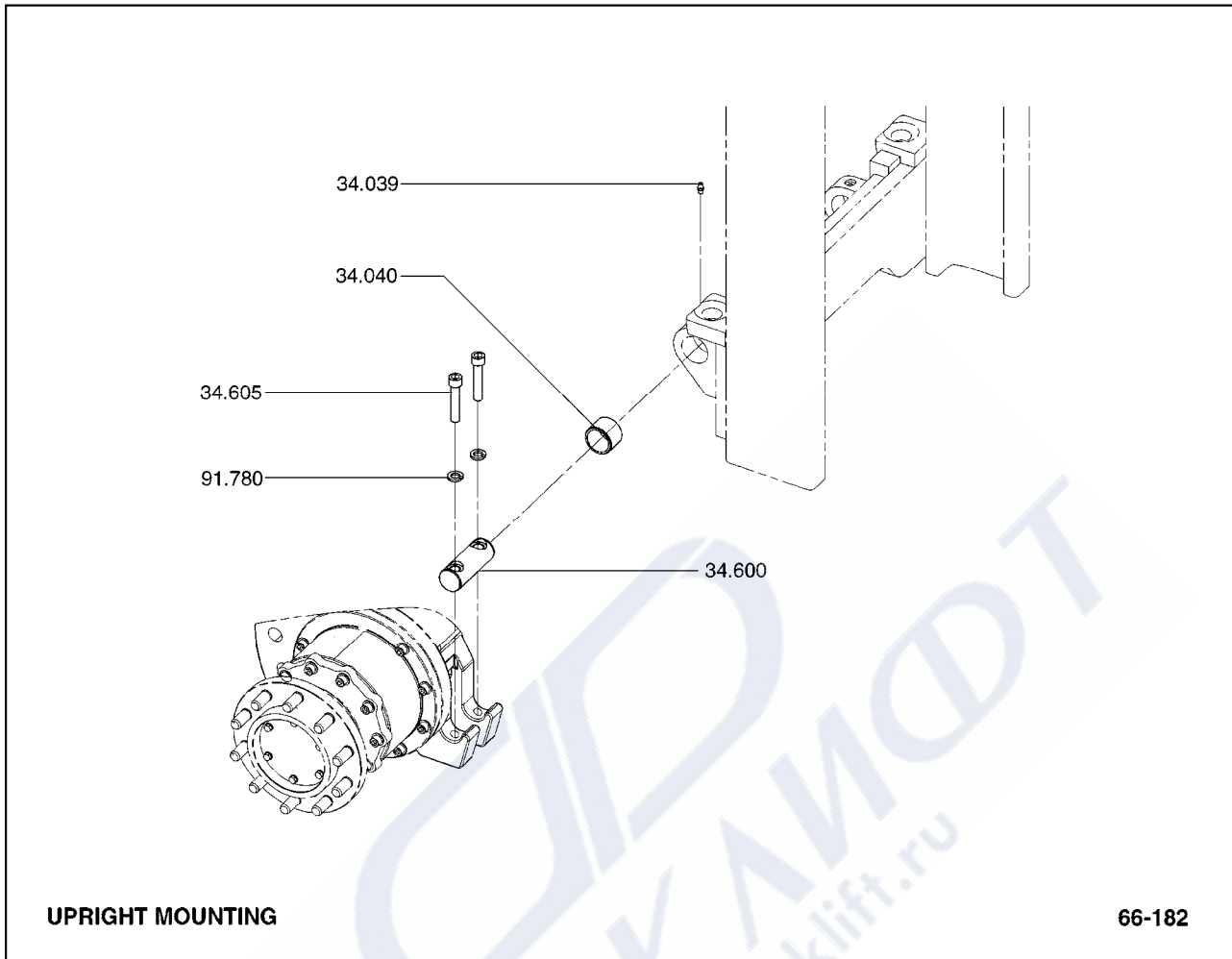
97.241 SET SCREW, SIDE SHIFTER CYLINDER ROD PORT  
세트스크류



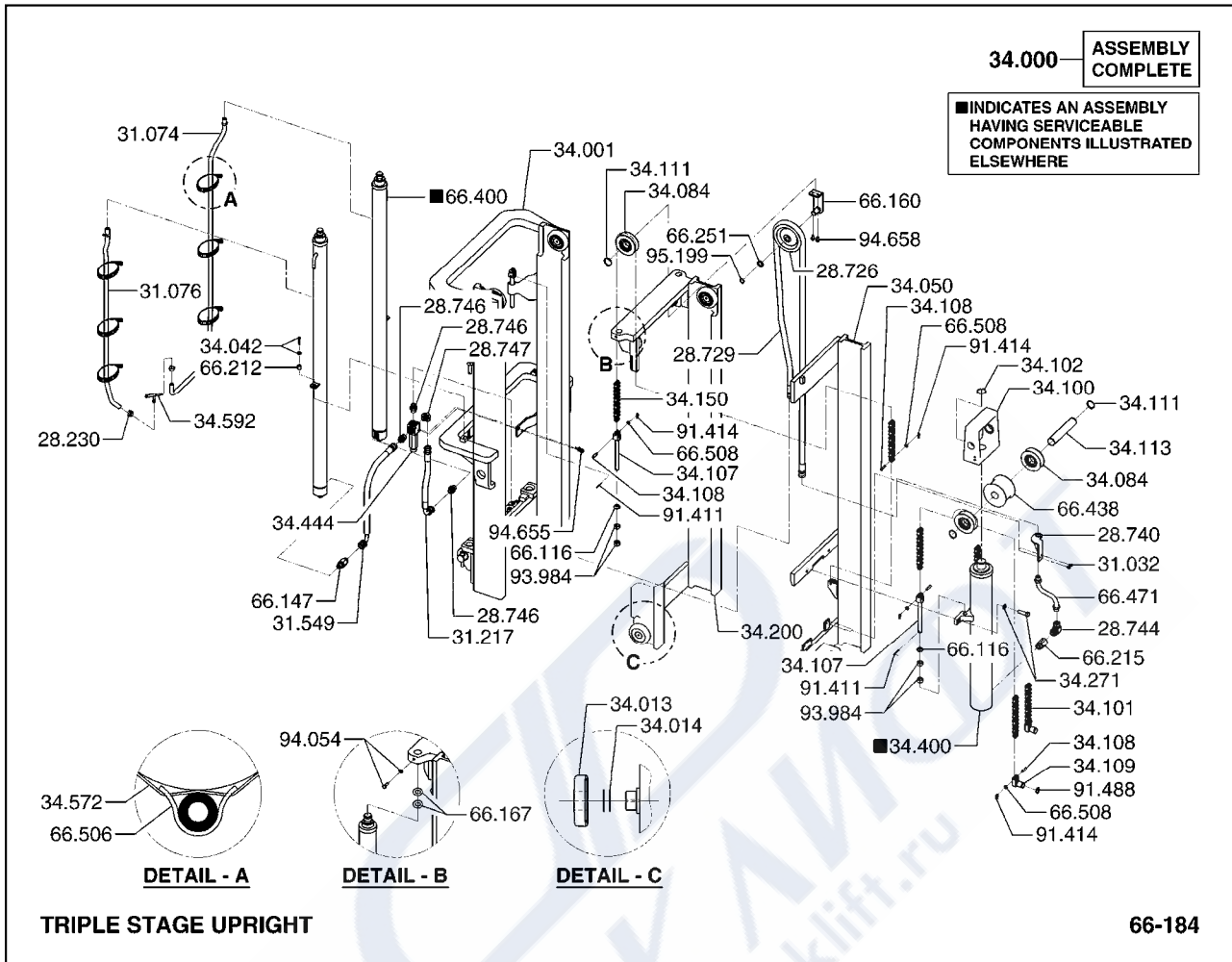


34.350 FORK ASSEMBLY  
포크

34.359 KIT, FORK STOP PIN (CAPTIVE)  
키트



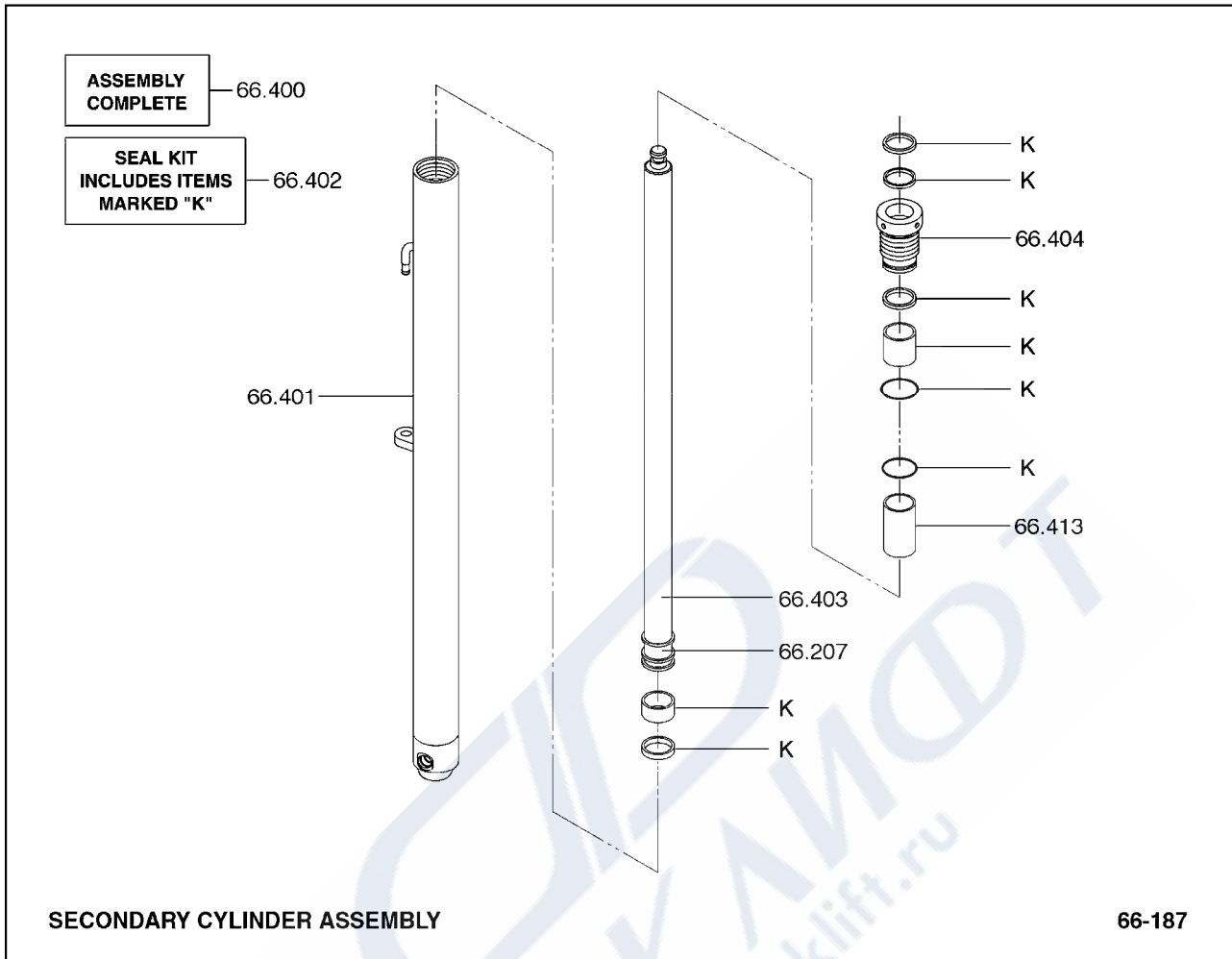
34.039	FITTING-LUB, UPRIGHT TRUNNION 피팅
34.040	BUSHING, UPRIGHT SUPPORT PIN 부싱
34.600	SUPPORT, UPRIGHT 서포트
34.605	FASTENER, UPRIGHT SUPPORT PIN LOCK PLATE 패스너
91.780	LOCKWASHER, UPRIGHT SUPPORT PIN LOCK PLATE FASTENER 로크와셔



28.230	CLAMP, LIFT CYLINDER VENT LINE 클램프	34.014	SHIM, UPRIGHT ROLLER 심
28.726	SHEAVE, LIFT CYLINDER HOSE 쉬브	34.042	FASTENER, LIFT CYLINDER (UPPER) 패스너
28.729	LINE, LIFT CYLINDER 라인	34.050	INNER RAIL WELDED ASSEMBLY, UPRIGHT 이너레일
28.740	BRACKET, LIFT CYLINDER HOSE MOUNTING 브라켓	34.084	SHEAVE, LIFT CHAIN 쉬브
28.744	FITTING, LIFT CYLINDER LINE 피팅	34.100	CARRIER, LIFT CYLINDER CHAIN SHEAVE 캐리어
28.746	FITTING, LIFT CYLINDER LINE 피팅	34.101	CHAIN, LIFT 체인
28.747	FITTING, LIFT CYLINDER LINE 피팅	34.102	FASTENER, SHEAVE CARRIER 패스너
31.032	FASTENER, LIFT CYLINDER LINE SUPPORT BRACKET 패스너	34.107	ANCHOR, LIFT CHAIN 앵커
31.074	LINE, LIFT CYLINDER VENT 라인	34.108	FASTENER, LIFT CHAIN TO ANCHOR 패스너
31.076	LINE, LIFT CYLINDER VENT 라인	34.109	ANCHOR, LIFT CHAIN CARRIAGE END 앵커
31.217	LINE, LIFT CYLINDER INLET FITTING 라인	34.111	FASTENER, CHAIN SHEAVE SHAFT (CARRIER) 패스너
31.549	LINE, LIFT CYL FLOW CONTROL VALVE INLET 라인	34.113	SHAFT, LIFT CHAIN SHEAVE (CARRIER) 샤프트
34.000	UPRIGHT & LIFT CYL ASSEMBLY 마스트& 실린더	34.150	CHAIN, UPRIGHT RAIL LIFT 체인
34.001	OUTER RAIL WELDER ASSEMBLY, UPRIGHT 아웃레일	34.200	INTERMEDIATE RAIL WELDED ASSEMBLY, UPRIGHT 인터레일
34.013	ROLLER, UPRIGHT 롤러	34.271	FASTENER, LIFT CYLINDER LOWER 패스너

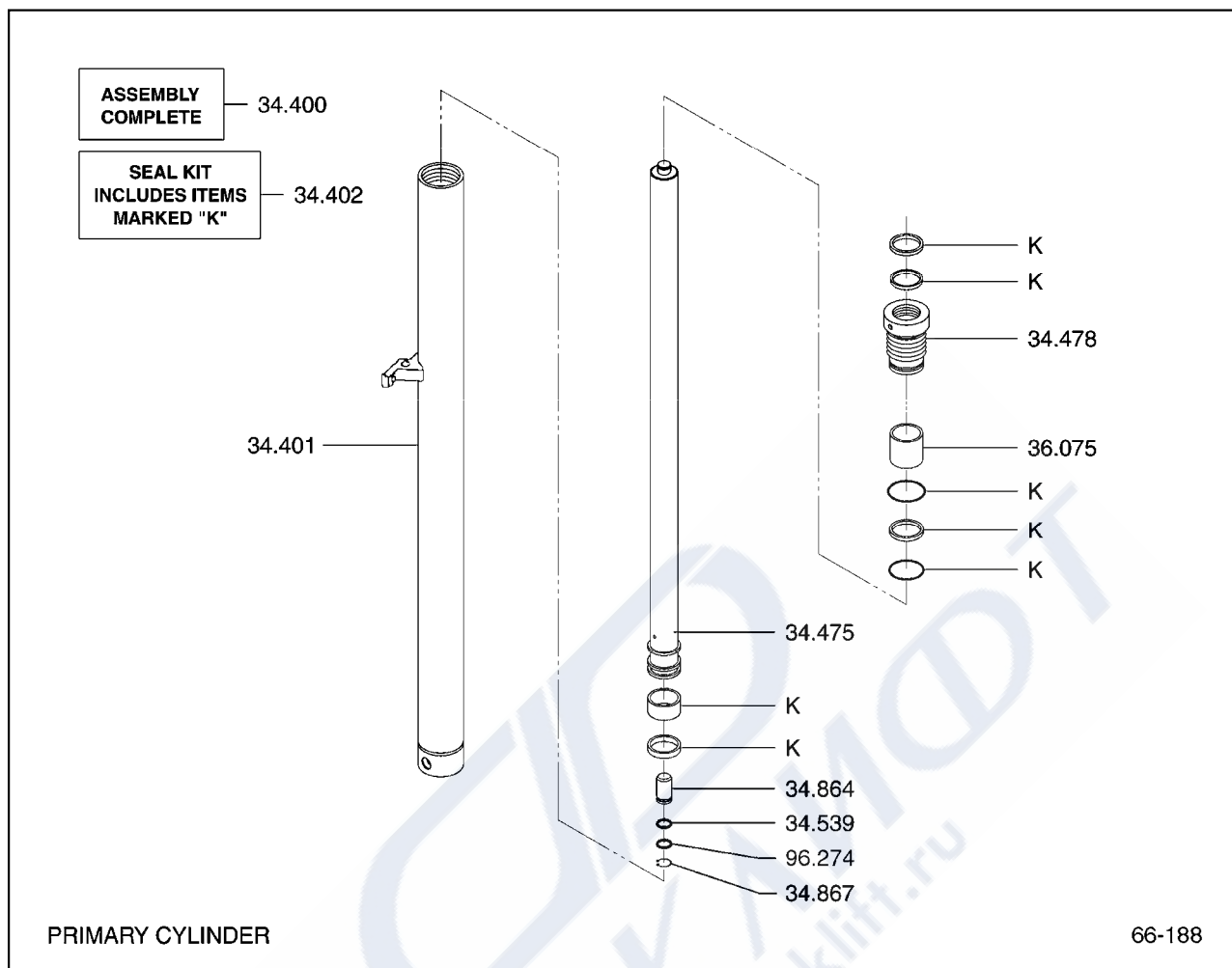
---

34.400	CYLINDER ASSEMBLY, LIFT 실린더
34.444	VALVE ASSEMBLY, LIFT CYLINDER FLOW CONTROL 밸브
34.572	STRAP, VENT LINE TO LIFT CYLINDER 스트랩
34.592	FITTING, LIFT CYLINDER VENT LINE 피팅
66.116	SPACER, LIFT CHAIN ANCHOR 스페이서
66.147	VALVE, FINAL LIFT CYLINDER PORT FLOW CONTROL 밸브
66.160	BRACKET, LIFT CYLINDER HOSE SHEAVE 브라켓
66.167	SHIM, LIFT CYLINDER UPPER 심
66.212	SPACER, LIFT CYLINDER FASTENER 스페이서
66.215	VALVE, LIFT CYLINDER PORT FLOW CONTROL 밸브
66.251	SPACER, LIFT CYLINDER LINE SHEAVE 스페이서
66.400	CYLINDER ASSEMBLY, FINAL LIFT 실린더
66.438	SHEAVE, HOSE 쉬브
66.471	LINE, LIFT CYLINDER FEED 라인
66.506	CLAMP, LIFT CYLINDER 클램프
66.508	SPACER, LIFT CHAIN ANCHOR FASTENER 스페이서
91.411	RETAINER, LIFT CHAIN TO ANCHOR FASTENER 리테이너
91.414	RETAINER, LIFT CHAIN TO ANCHOR FASTENER 리테이너
91.488	FASTENER, LIFT CHAIN ANCHOR 패스너
93.984	FASTENER, LIFT CHAIN ANCHOR 패스너
94.054	FASTENER, LIFT CYLINDER (UPPER) 패스너
94.655	FASTENER, LIFT CYLINDER LINE JUNCTION BLOCK 패스너
94.658	FASTENER, LIFT CYLINDER HOSE SHEAVE BRACKET 패스너
95.199	FASTENER, LIFT LINE SHEAVE 패스너



66.207	PISTON, FINAL LIFT CYLINDER 피스톤
66.400	CYLINDER ASSEMBLY, FINAL LIFT 실린더
66.401	BARREL, FINAL LIFT CYLINDER 배럴
66.402	PACKING KIT, FINAL LIFT CYLINDER 패킹키트
66.403	PISTON ROD, FINAL LIFT CYLINDER 피스톤로드
66.404	CAP, FINAL LIFT CYLINDER GLAND 캡
66.413	SPACER, FINAL LIFT CYLINDER PISTON ROD 스페이서

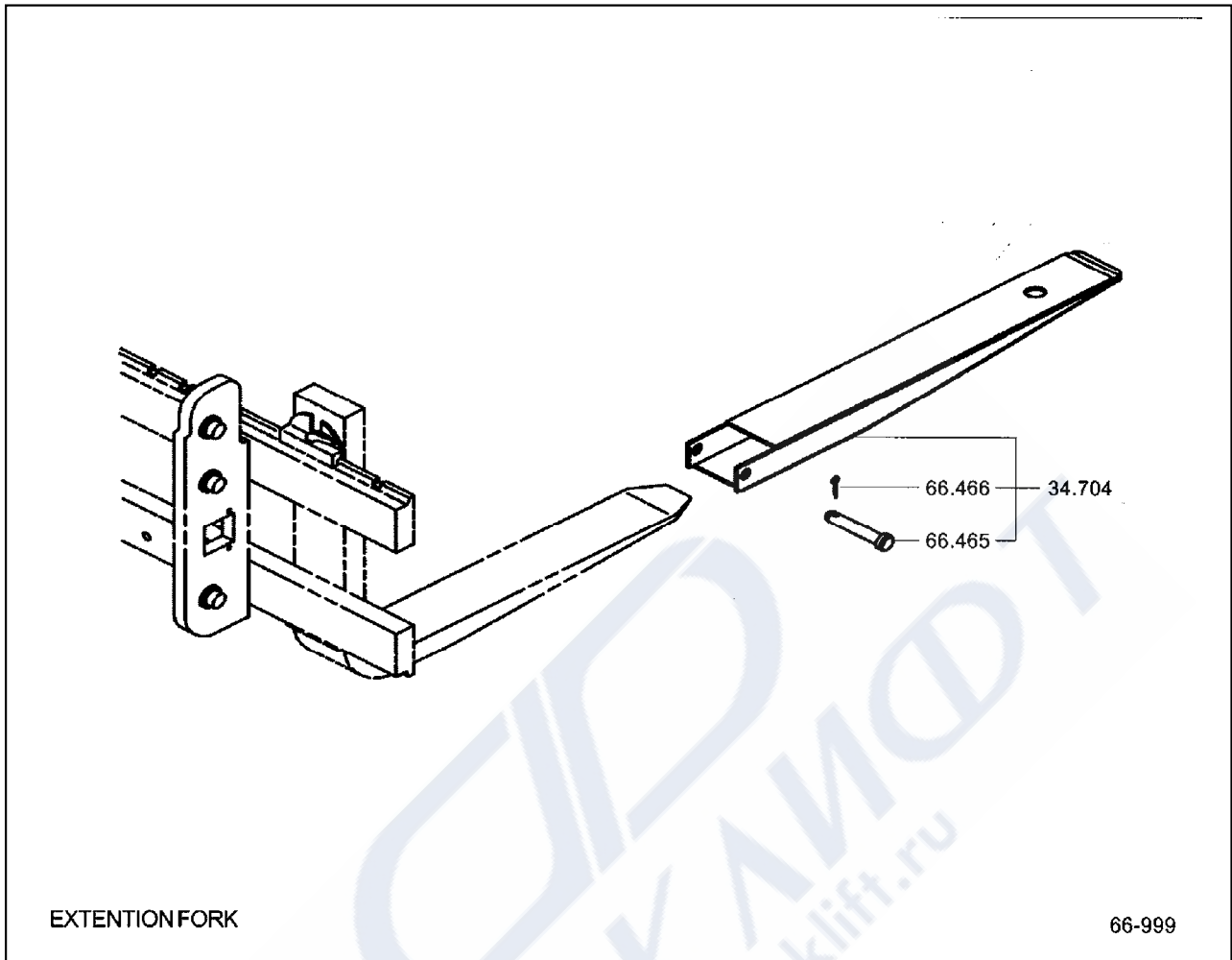




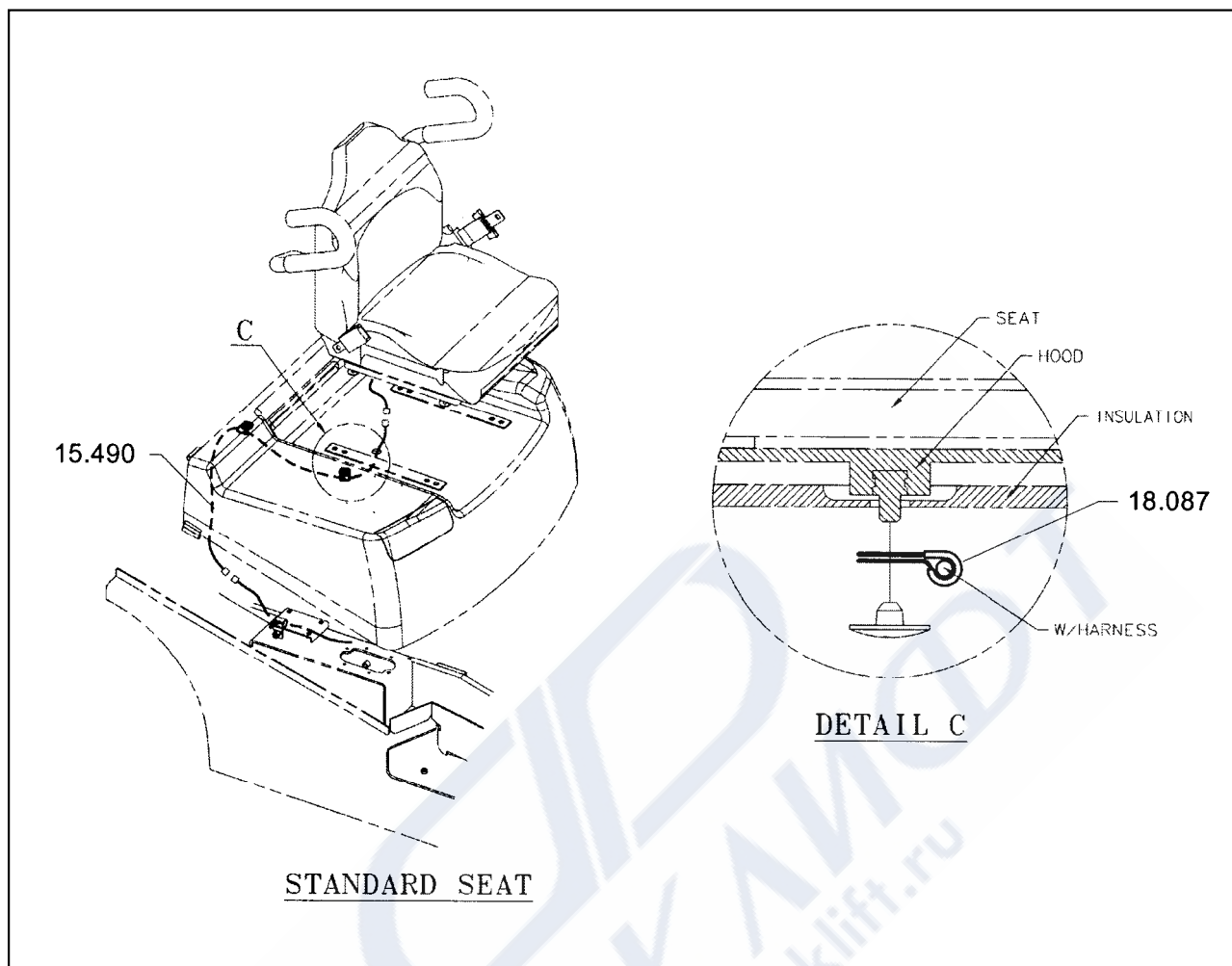
34.400	CYLINDER ASSEMBLY, LIFT 실린더
34.401	BARREL, LIFT CYLINDER 배럴
34.402	SEAL & PACKING KIT, LIFT CYLINDER 씰& 팩킹키트
34.475	ROD, LIFT CYLINDER 로드
34.478	GLAND, LIFT CYLINDER 그랜드
34.539	RETAINER, LIFT CYLINDER GLAND BUSHING 리테이너
34.864	CHECK VALVE, LIFT CYLINDER 체크밸브
34.867	RETAINER, LIFT CYLINDER CHECK VALVE 리테이너
36.075	BUSHING, CYLINDER PIVOT 부싱

96.274 WASHER, LIFT CYLINDER CHECK VALVE  
육서





- |        |   |
|--------|---|
| 34.704 | EXTENSION, FORK ASSEMBLY COMPLETE<br>익스텐션 |
| 66.465 | PIN, EXTENSION FORK<br>핀                  |
| 66.466 | PIN, EXTENSION FORK<br>핀                  |



15.490 HARNESS, SEAT ACTUATED ENGINE SHUTDOWN WIRING  
하네스

18.087 CLIP, SEAT SAFETY SWITCH WIRE  
클립